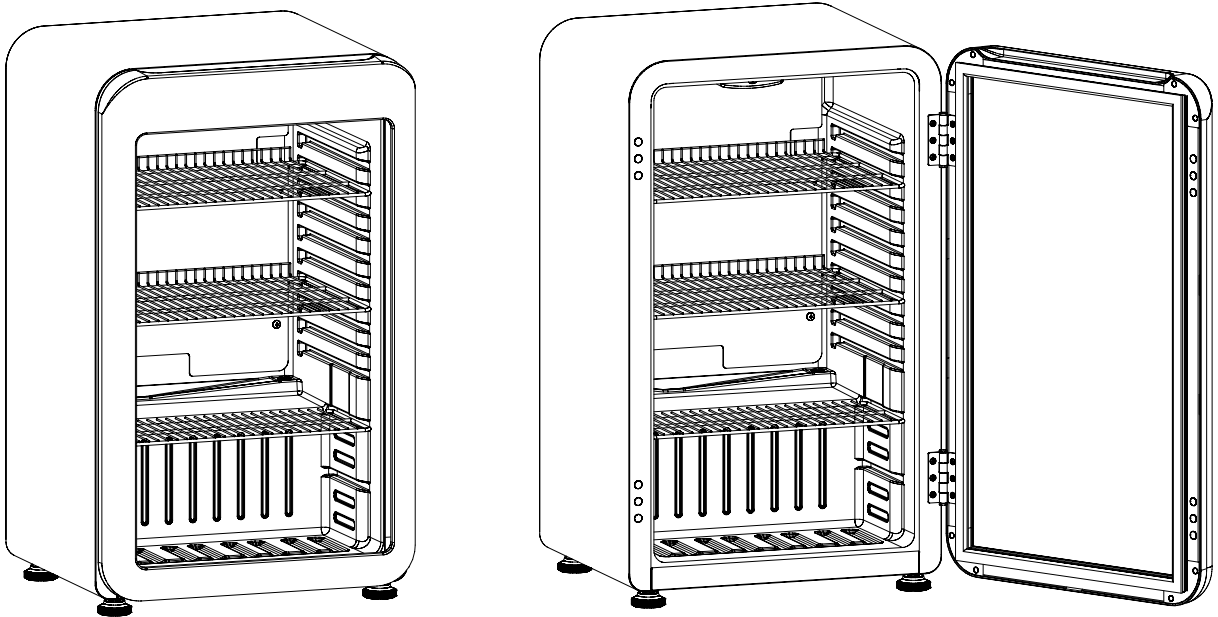


Premium

ENFRIADOR DE BEBIDAS BEVERAGE COOLER

Model No. PRF33DX/PRF40DX



This product is for domestic use
Use & Care Manual
Important Safeguards

Thank you for buying this appliance.

We hope it will successfully serve your requirements for many years.

This appliance is for domestic use only and is intended for storing bottled and canned beverages higher than 0° /32°F

▲This warning is not for EUROPEAN market:

This appliance is not intended for use by persons (including children) with reduced physical, sensory or mental capabilities, or lack of experience and knowledge, unless they have been given supervision or instruction concerning use of the appliance by a person responsible for their safety. Children should be supervised to ensure that they do not play with the appliance.

▲Do not store explosive substances such as aerosol cans with a flammable propellant in this appliance.

▲If the supply cord is damaged, it must be replaced by the manufacturer or its service agent or a similarly qualified person in order to avoid a hazard.

▲Please according to local regulations regarding disposal of the appliance for its flammable blowing gas. Before you scrap the appliance, please take off the doors to prevent children trapped.

▲WARNING Keep ventilation openings, in the appliance enclosure or in the built-in structure, clear of obstruction.

▲WARNING Do not use mechanical devices or other means to accelerate the defrosting process, other than those recommended by the manufacturer.

▲WARNING Do not damage the refrigerant circuit.

▲WARNING Do not use electrical appliances inside the food storage compartments of the appliance, unless they are of the type recommended by the manufacturer.

▲The LED lamps can only be replaced by the manufacturer for models with LED lamp, can't be replaced by the user.

▲This appliance is intended to be used in household and similar applications such as

- staff kitchen areas in shops, offices and other working environments;
- farm houses and by clients in hotels, motels and other residential type environments;
- bed and breakfast type environments;
- Catering and similar non-retail applications.

SAVE THESE INSTRUCTIONS

Before Putting Into Use 2

Instructions for Use
Tips for Energy Savings

Important 3
Disposing of Worn Out Appliances

Placing and Installation 4
Choosing the Right Place
Placing the Self-standing Appliance
Connection to Power Supply

Description of the Appliance. 5

Operating the Temperature Control. . . . 5
Temperature Selection

Use 6

Storing Guidelines

Maintenance and Cleaning. 7

Automatic Defrosting of the appliance
Cleaning of the Appliance

Switch Off the Appliance When Not In Use

Trouble-Shooting Guide. 8

Before Putting Into Use

- Before connecting the appliance to electrical power supply, leave it to stand for about 2 hours, which will reduce the possibility of malfunctions in the cooling system due to transport handling.
- Clean the appliance thoroughly, especially in the interior(See Cleaning and Maintenance).
- In case the interior accessories are not correctly placed, rearrange them as described in chapter "Description of the Appliance"
- If the gasket is damaged or the door seal is poor, energy consumption is substantially higher. To restore efficiency, replace the gasket.
- Always consider instructions stated in sections Positioning and Energy Saving Tips, otherwise the energy consumption is substantially higher.
- Remove shipping bracket at base of door opening and replace the foot before operating this appliance.

Instructions for Use

These instructions for use are intended for the user. They describe the appliance and correct operating procedures for safe use.

SAVE THESE INSTRUCTIONS:

TIPS for Energy Saving

- Try not to open the door too often, especially when the weather is hot and humid. Once you open the door, close it as soon as possible. This is especially important if you have an upright model.
- Every now and then check if the appliance is sufficiently ventilated (adequate air circulation behind the appliance).
- Set the thermostat from higher to lower settings as soon as possible(depends on how loaded the appliance is, ambient temperatures etc).
- Ice and frost layers increase energy consumption, so clean the appliance as soon as frost layer is 3-5 mm thick.

Important

- If you have bought this appliance to replace an old one equipped with a door lock that cannot be opened from the inside(lock,bolt),make sure that the lock is removed, disabled or destroyed before discarding. This will make it impossible for children to accidentally lock themselves inside the appliance and suffocate.
- The appliance must be properly connected to an electrical power supply. (See : Connection to Power Supply).
- Always disconnect the appliance from the power supply before cleaning the appliance, or attempting repairs.
WARNING:
repairs should be preformed by qualified service personnel only.
- Do not defrost the appliance with other electric appliance(for example a hair dryer)and never attempt to scrape/remove ice/frost with sharp objects.
- The cooling system of the appliance is filled with refrigerant and oil, so when the appliance is damaged,handle it with care and dispose of it in compliance with environmental protection safeguards.
- The rating plate containing Model No/Serial No and other technical data specific to this unit, is located either inside the appliance or outside on the rear wall.
- The cooling system of the appliance is filled with refrigerant and insulating substances which should be separately treated and processed. Call your nearest authorised service agent. If you are unable to locate one, contact your local authorities or your distributor. Be careful not to damage the tubes on the rear wall of the appliance (danger of pollution).

Disposing of Worn Out Appliances

- When your appliance finally wears out, dispose of it in a safe and harmless manner. if the appliance is equipped with a door lock that cannot be opened from the inside(lock,bolt),make sure the lock is removed, disabled or destroyed before being discarded. This will make it impossible for children to accidentally lock themselves inside the appliance and suffocate.

Placing and Installation

CHOOSING THE RIGHT PLACE

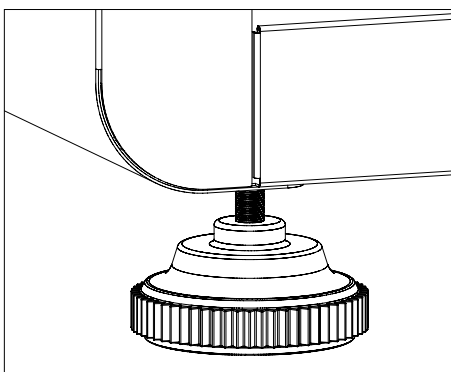
Place the appliance in a dry and regularly ventilated room. Never place the appliance near heat emitting devices (e. g. cooking appliances, radiators, water heaters or similar devices) and do not expose to direct sunlight.

The appliance should be positioned at least 5cm away from electric or gas cooking appliances and at least 30cm away from oil or coal fired stoves. If this is not possible, use an appropriate insulation barrier.

Behind the appliance there should be a free space of at least 75mm. Kitchen units(cup-board) should be at least 50mm away from the appliance in order to assure adequate ventilation. There should be 100mm between both size of the chiller and other article.

INSTALLATION

Place the appliance firmly on a solid base. Some appliances have adjustable feet on the front side; use them to level the appliance.



WARNING

instructions to avoid to the risk of fire, electric shock, or injury to persons.

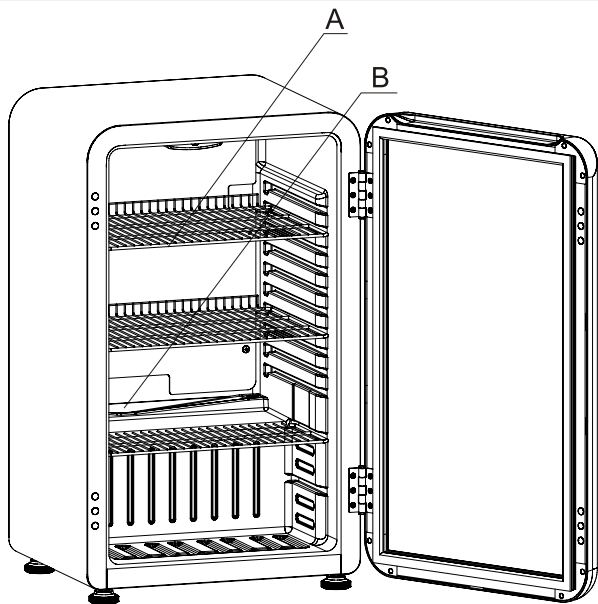
WIRING INSTRUCTIONS

For your personal safety, this appliance must be earthed. In the event of a malfunction or breakdown, earthing will reduce the risk of electric shock by providing a path of least resistance for electric current. This appliance is equipped with a power card having an equipment earthing conductor and fused plug. The plug must be plugged into an appropriate wall outlet that is installed and wired in accordance with all existing local codes and ordinances. Consult a qualified electrician or serviceman if the wiring instructions are not clearly understood, or if doubt exists as to whether the appliance is properly earthed.

CONNECTION TO POWER SUPPLY

Connect the appliance power cord and plug to a properly earthed wall outlet. The required nominal voltage and frequency are indicated on the rating plate(inside the unit or on the exterior rear wall of the unit).

Description of the Appliance



(A) Adjustable Wire Shelves

(The number of shelves depends on the model)
Shelves can be optionally placed on the guides inside the appliance. Perishable items should be stored towards the back/ rear of the shelves. i.e. the coldest part of the shelf.

(B) Defrost Water Outlet

The interior of the appliance is cooled with a cooling plate mounted in the rear wall. Under the plate there is a channel and an outlet for defrost water. Regularly check the defrost water outlet and the drain channel for blockage. They should always be kept free and clean of particles.

WE RESERVE THE RIGHT TO ALTER THE SPECIFICATIONS WITH NO EFFECT ON THE OPERATION OF THE APPLIANCE.

Operating Control

The temperature of the appliance is controlled by setting the thermostat knob (top of cabinet) to a desired setting.

Temperature Selection

To start the appliance turn the temperature control knob (top of cabinet) to the position corresponding to the desired cooling (on the graduated blue dial). Temperature range: 6°C - 15°C.

Fig A

The temperature will vary depending on the quantity of the item stored and on the frequency with which the door is opened.

To turn the control to the "OFF" position, rotate the control knob to the "0" position. If the appliance has been left out of use for sometime, set the control to maximum for 2-3 hours before turning to the desired position. If the appliance is not being used for long

time periods, disconnect the plug and leave the door partially open. This will help to reduce mold/mildew from accumulating inside the appliance cabinet.

Changes in ambient room temperature will affect the internal temperatures (choose correct setting of the thermostat knob).

In STOP(0) position the appliance does not operate (cooling system is switched off), yet power supply is not interrupted.

Temperature in the appliance also depends on how often the door is opened.

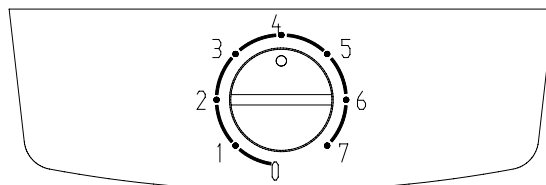


FIG A

Use

Storing Guidelines

Proper use of the appliance, adequate packaging correct temperature and taking into account hygienic precautions will substantially influence the quality of the items stored.

- Foods should be cooled down before storing.
- Before storing items in the appliance, remove excessive packaging (cardboard outers etc).
- Pack systematically and make sure that foodstuffs do not touch each other (various odours may mix). Assure adequate air circulation around packages.
- Never store flammable, volatile or explosive substances.
- Beverages with high alcohol percentage shall be stored in tightly sealed bottles in vertical position.
- Foods should not touch the, rear wall of the refrigerator
- Try not to open the door too often.
- Set the thermostat to a setting where lowest temperatures are reached. Set the thermostat gradually so as to avoid freezing.
- Some organic solutions like volatile acids in lemon and orange juice etc. can cause damage when in contact with plastic surfaces or gasket for long periods of time.
- Unpleasant odours inside the appliance is a sign that something is wrong with foods or that your appliance needs cleaning. Unpleasant odours can be eliminated or reduced by washing the interior of the appliance with mild solution of water.
- If you are planning a long journey, make sure to remove perishable items from the appliance before you leave.

Maintenance and Cleaning

Automatic Defrosting of the Appliance

There is no need to defrost the chiller, because ice depositing on the inner back wall is defrosted automatically.

Ice build-up on the inner back wall during the compressor operation; will (when the compressor has cycled off) defrost automatically. Defrost water collects inside the drain through passing through the drain outlet in the inner back wall into a drain pan situated above the compressor, from where it evaporates.

Switch Off the Appliance When Not In Use

If you do not intend to use the appliance for long periods of time, set the thermostat knob to the STOP(0) position, disconnect the power supply, take out the contents and defrost and clean the appliance. Leave the door slightly open

Cleaning the Appliance

Disconnect the power supply before cleaning the appliance.

Do not use coarse or aggressive cleaning agents as you can damage the surface.

Clean the exterior with water and detergent.

Remove the detachable accessories in the interior of the appliance and clean with water and liquid detergent. Plastic parts cannot be washed in dishwashers.

Wash the interior of the appliance with lukewarm water, adding one or two spoonfuls of vinegar.

After cleaning, connect the appliance to power supply and reload it.

Disposal



This marking indicates that this product should not be disposed with other household wastes throughout the EU. To prevent possible harm to the environment or human health from uncontrolled waste disposal, recycle it responsibly to promote the sustainable reuse of material resources. To return your used device, please use the return and collection systems or contact the retailer where the product was purchased. They can take this product for environmental safe recycling.

Trouble-Shooting Guide

Sometimes you may come across minor problems that in most cases do not require a service call and can be easily eliminated. The problem may have resulted from improper handling and/or installation of the appliance. Please refer to the below trouble-shooting guide to assist you in identifying the possible cause and solution to your problem. Should the problem still persist after completing these checkpoints. Contact the closest authorised service agent in your area for assistance.

The Appliance Fails to Operate After Connecting to Electrical Power Supply

- Check the power cord is properly connected.
- Check the power supply in the electrical outlet. (blown fuse/circuit breaker)
- Make sure the appliance is switched on. (thermostat knob in operating position)

Continuous Operation of the Cooling System

- The door is frequently opened or left open for too long.
- The door is not properly closed(the door may sag, the gasket may be polluted or damaged).
- Perhaps you may have overloaded the appliance.
- The reason may be inadequate ventilation of the compressor(assure adequate air circulation).

Ice Formation on the Inner Rear Wall

As long as the defrost water runs to the channel and through the outlet to the drain pan on the compressor, automatic defrosting of the appliance is assured.

In case the ice formation on the inner back wall is increased(3-5 mm),ice should be manually defrosted.

Set the thermostat knob to **STOP(0)** position and leave the door open. Never use electric devices for defrosting and do not scrape the ice or frost layer with sharp objects.

After defrosting is complete, turn the knob to desired position and close the door. The cause of increased

ice formation may be one of the following:

- the door does not seal well (clean the gasket if it is contaminated, or replace it if it is damaged);
- the door is frequently opened or left too long;
- the food stored in the appliance was warm;
- the food or dish is touching the inner back wall.

Water is Leaking From the Appliance

If the discharge water outlet is clogged, or the defrost water drips over the channel, water will leak from the appliance.

- Clean the clogged outlet.
- Manually defrost the increased ice layer(see ice Formation on the Inner rear Wall).

Noise

Cooling in this appliance is made possible by cooling the system using a compressor, which will produce certain noise levels. how noisy the appliance is depends on where it is placed, how it is used and how old the appliance is.

- **During the operation** of the compressor the noise of the liquid is heard and when the compressor is not operating the refrigerant flow is heard. This is a normal condition and it has no influence whatsoever on the lifetime of the appliance.
- **After starting the appliance,** the operation of the compressor and the refrigerant flow may be louder, which does not mean that something is wrong with the appliance and it has no influence on the lifetime of the appliance. Gradually the noise will reduce.

- Sometimes **unusual and louder** noise maybe heard. This noise is often a consequence of inadequate installation.

-The appliance must be level and installed on a firm solid base/floor.

-The appliance should not touch the wall or kitchen units standing next to it.

Check the accessories on the interior of the appliance, they should be placed correctly in their positions; also check, bottles, tins, and other vessels are not touching each other causing rattling and/or vibrations.