

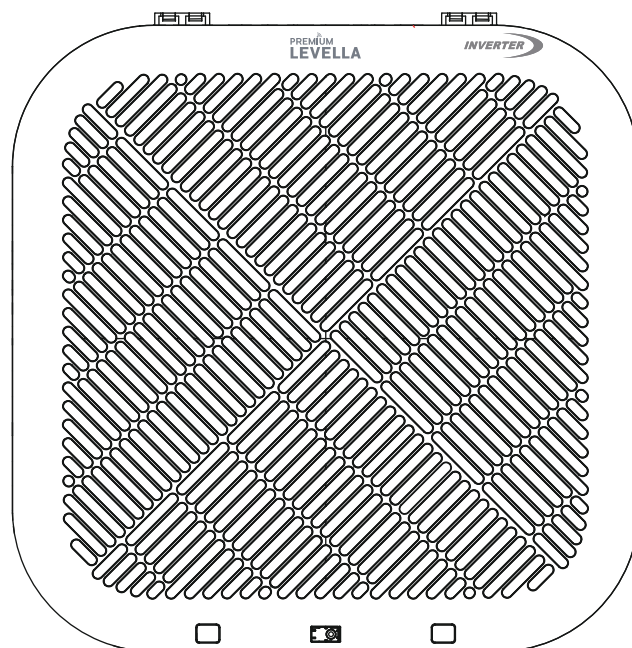
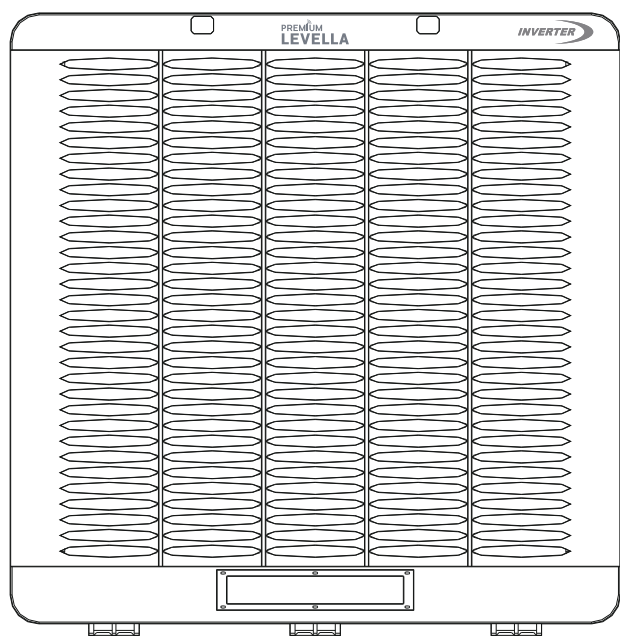
Model/Modelo: PIACWMZ908790A
PIACWMZ1280790A
PIACWMZ1880790A
PIACWMZ2480790A


**PREMIUM
LEVELLA®**

MULTIZONE SYSTEM CASSETTE INDOOR UNIT

SISTEMA MULTIZONA UNIDAD INTERIOR TIPO CASSETTE

User's Manual & Installation Manual



USER MANUAL / MANUAL DE INSTRUCCIONES

Use and care manual. Important safeguards. This product is for domestic use only.

Manual de uso y cuidado. Precauciones importantes. Este producto es para uso doméstico únicamente.

Table of Contents

Safety Precautions	04
--------------------------	----

Owner's Manual

Unit Specifications and Features.....	08
---------------------------------------	----

1. Indoor unit display.....	08
2. Operating temperature.....	10
3. Other features	11

Care and Maintenance.....	12
---------------------------	----

Troubleshooting.....	14
----------------------	----

Installation Manual

Accessories.....	17
Installation Summary.....	18
Unit Parts.....	19
Indoor Unit Installation.....	21
1. Select installation location.....	21
2. Hang indoor unit.....	23
3. Drill wall hole for connective piping.....	25
4. Connect drain hose.....	26
Outdoor Unit Installation.....	28
1. Select installation location.....	28
2. Install drain joint.....	29
3. Anchor outdoor unit.....	29
Refrigerant Piping Connection.....	31
A. Note on Pipe Length.....	31
B. Connection Instructions –Refrigerant Piping.....	32
1. Cut pipe.....	32
2. Remove burrs.....	32
3. Flare pipe ends.....	32
4. Connect pipes.....	33
C. Installation Of The Throttle. (Some Models).....	34
Wiring.....	34
1. Outdoor Unit Wiring.....	35
2. Indoor Unit Wiring.....	37
Air Evacuation.....	40
1. Evacuation Instructions.....	40
2. Note on Adding Refrigerant.....	41
Panel Installation.....	42
Test Run.....	48
Packing and unpacking the unit	49

Safety Precautions

Read Safety Precautions Before Operation and Installation

Incorrect installation due to ignoring instructions can cause serious damage or injury. The seriousness of potential damage or injuries is classified as either a **WARNING** or **CAUTION**.



WARNING

This symbol indicates the possibility of personnel injury or loss of life.



CAUTION

This symbol indicates the possibility of property damage or serious consequences.



WARNING

This appliance can be used by children aged from 8 years and above and persons with reduced physical, sensory or mental capabilities or lack of experience and knowledge if they have been given supervision or instruction concerning use of the appliance in a safe way and understand the hazards involved. Children shall not play with the appliance. Cleaning and user maintenance shall not be made by children without supervision(EN Standard requirements).

This appliance is not intended for use by persons(including children) with reduced physical, sensory or mental capabilities, or lack of experience and knowledge, unless they have been given supervision or instruction concerning use of the appliance by a person responsible for their safety. Children should be supervised to ensure that they do not play with the appliance.



WARNINGS FOR PRODUCT USE

- If an abnormal situation arises (like a burning smell), immediately turn off the unit and disconnect the power. Call your dealer for instructions to avoid electric shock, fire or injury.
- **Do not** insert fingers, rods or other objects into the air inlet or outlet. This may cause injury, since the fan may be rotating at high speeds.
- **Do not** use flammable sprays such as hair spray, lacquer or paint near the unit. This may cause fire or combustion.
- **Do not** operate the air conditioner in places near or around combustible gases. Emitted gas may collect around the unit and cause explosion.
- **Do not** operate your air conditioner in a wet room such as a bathroom or laundry room. Too much exposure to water can cause electrical components to short circuit.
- **Do not** expose your body directly to cool air for a prolonged period of time.
- **Do not** allow children to play with the air conditioner. Children must be supervised around the unit at all times.
- If the air conditioner is used together with burners or other heating devices, thoroughly ventilate the room to avoid oxygen deficiency.
- In certain functional environments, such as kitchens, server rooms, etc., the use of specially designed air-conditioning units is highly recommended.

CLEANING AND MAINTENANCE WARNINGS

- Turn off the device and disconnect the power before cleaning. Failure to do so can cause electrical shock.
- **Do not** clean the air conditioner with excessive amounts of water.
- **Do not** clean the air conditioner with combustible cleaning agents. Combustible cleaning agents can cause fire or deformation.



CAUTION

- Turn off the air conditioner and disconnect the power if you are not going to use it for a long time.
- Turn off and unplug the unit during storms.
- Make sure that water condensation can drain unhindered from the unit.
- **Do not** operate the air conditioner with wet hands. This may cause electric shock.
- **Do not** use device for any other purpose than its intended use.
- **Do not** climb onto or place objects on top of the outdoor unit.
- **Do not** allow the air conditioner to operate for long periods of time with doors or windows open, or if the humidity is very high.



ELECTRICAL WARNINGS

- Only use the specified power cord. If the power cord is damaged, it must be replaced by the manufacturer, its service agent or similarly qualified persons in order to avoid a hazard.
- Keep power plug clean. Remove any dust or grime that accumulates on or around the plug. Dirty plugs can cause fire or electric shock.
- **Do not** pull power cord to unplug unit. Hold the plug firmly and pull it from the outlet. Pulling directly on the cord can damage it, which can lead to fire or electric shock.
- **Do not** modify the length of the power supply cord or use an extension cord to power the unit.
- **Do not** share the electrical outlet with other appliances. Improper or insufficient power supply can cause fire or electrical shock.
- The product must be properly grounded at the time of installation, or electrical shock may occur.
- For all electrical work, follow all local and national wiring standards, regulations, and the Installation Manual. Connect cables tightly, and clamp them securely to prevent external forces from damaging the terminal. Improper electrical connections can overheat and cause fire, and may also cause shock. All electrical connections must be made according to the Electrical Connection Diagram located on the panels of the indoor and outdoor units.
- All wiring must be properly arranged to ensure that the control board cover can close properly. If the control board cover is not closed properly, it can lead to corrosion and cause the connection points on the terminal to heat up, catch fire, or cause electrical shock.
- If connecting power to fixed wiring, an all-pole disconnection device which has at least 3mm clearances in all poles, and have a leakage current that may exceed 10mA, the residual current device(RCD) having a rated residual operating current not exceeding 30mA, and disconnection must be incorporated in the fixed wiring in accordance with the wiring rules.

TAKE NOTE OF FUSE SPECIFICATIONS

The air conditioner's circuit board (PCB) is designed with a fuse to provide overcurrent protection.

The specifications of the fuse are printed on the circuit board ,such as :

T3.15A/250VAC, T5A/250VAC, etc.

T20A/250VAC(\leq 24000Btu/h units), T30A/250VAC($>$ 24000Btu/h units)


NOTE: For the units with R32 or R290 refrigerant , only the blast-proof ceramic fuse can be used.

UV-C lamp(Applicable to the unit contains an UV-C lamp only)

This appliance contains a UV-C lamp. Read the maintenance instructions before opening the appliance.

1. Do not operate UV-C lamps outside of the appliance.
2. Appliances that are obviously damaged must not be operated.
3. Unintended use of the appliance or damage to the housing may result in the escape of dangerous UV-C radiation. UV-C radiation may, even in small doses, cause harm to the eyes and skin.

4. Before opening doors and access panels bearing the ULTRAVIOLET RADIATION hazard symbol for the conducting USER MAINTENANCE, it is recommended to disconnect the power.
5. The UV-C lamp can not be cleaned, repaired and replaced.
6. UV-C BARRIERS bearing the ULTRAVIOLET RADIATION hazard symbol should not be removed.

 **WARNING** This appliance contains an UV emitter. Do not stare at the light source.

WARNINGS FOR PRODUCT INSTALLATION

1. Installation must be performed by an authorized dealer or specialist. Defective installation can cause water leakage, electrical shock, or fire.
2. Installation must be performed according to the installation instructions. Improper installation can cause water leakage, electrical shock, or fire.
(In North America, installation must be performed in accordance with the requirement of NEC and CEC by authorized personnel only.)
3. Contact an authorized service technician for repair or maintenance of this unit. This appliance shall be installed in accordance with national wiring regulations.
4. Only use the included accessories, parts, and specified parts for installation. Using non-standard parts can cause water leakage, electrical shock, fire, and can cause the unit to fail.
5. Install the unit in a firm location that can support the unit's weight. If the chosen location cannot support the unit's weight, or the installation is not done properly, the unit may drop and cause serious injury and damage.
6. Install drainage piping according to the instructions in this manual. Improper drainage may cause water damage to your home and property.
7. For units that have an auxiliary electric heater, **do not** install the unit within 1 meter (3 feet) of any combustible materials.
8. **Do not** install the unit in a location that may be exposed to combustible gas leaks. If combustible gas accumulates around the unit, it may cause fire.
9. Do not turn on the power until all work has been completed.
10. When moving or relocating the air conditioner, consult experienced service technicians for disconnection and reinstallation of the unit.
11. How to install the appliance to its support, please read the information for details in "indoor unit installation" and "outdoor unit installation" sections .

Note about Fluorinated Gasses(Not applicable to the unit using R290 Refrigerant)

1. This air-conditioning unit contains fluorinated greenhouse gasses. For specific information on the type of gas and the amount, please refer to the relevant label on the unit itself or the "Owner's Manual - Product Fiche " in the packaging of the outdoor unit. (European Union products only).
2. Installation, service, maintenance and repair of this unit must be performed by a certified technician.
3. Product uninstallation and recycling must be performed by a certified technician.
4. For equipment that contains fluorinated greenhouse gases in quantities of 5 tonnes of CO₂ equivalent or more, but of less than 50 tonnes of CO₂ equivalent, If the system has a leak-detection system installed, it must be checked for leaks at least every 24 months.
5. When the unit is checked for leaks, proper record-keeping of all checks is strongly recommended.

WARNING for Using R32/R290 Refrigerant

- When flammable refrigerant are employed, appliance shall be stored in a well-ventilated area where the room size corresponds to the room area as specified for operation.

For R32 refrigerator models:

Appliance shall be installed, operated and stored in a room with a floor area larger than X m². Appliance shall not be installed in an unventilated space, if that space is smaller than X m² (Please see the following form).

Model (Btu/h)	Amount of refrigerant to be charged (kg)	Installation height	Minimum room area (m ²)
≤12000	≤1.11	2.2m	1
18000	≤1.65	2.2m	2
24000	≤2.58	2.2m	5
30000	≤3.08	2.2m	7
36000	≤3.84	2.2m	10
42000-48000	≤4.24	2.2m	12
55000-60000	≤4.39	2.2m	13

- Reusable mechanical connectors and flared joints are not allowed indoors. (EN Standard Requirements).
- Mechanical connectors used indoors shall have a rate of not more than 3g/year at 25% of the maximum allowable pressure. When mechanical connectors are reused indoors, sealing parts shall be renewed. When flared joints are reused indoors, the flare part shall be re-fabricated. (UL Standard Requirements)
- When mechanical connectors are reused indoors, sealing parts shall be renewed. When flared joints are reused indoors, the flare part shall be re-fabricated. (IEC Standard Requirements)
- Mechanical connectors used indoors shall comply with ISO 14903.

European Disposal Guidelines

This marking shown on the product or its literature, indicates that waste electrical and electrical equipment should not be mixed with general household waste.



Correct Disposal of This Product (Waste Electrical & Electronic Equipment)

This appliance contains refrigerant and other potentially hazardous materials. When disposing of this appliance, the law requires special collection and treatment. **Do not** dispose of this product as household waste or unsorted municipal waste.

When disposing of this appliance, you have the following options:

- Dispose of the appliance at designated municipal electronic waste collection facility.
- When buying a new appliance, the retailer will take back the old appliance free of charge.
- The manufacturer will take back the old appliance free of charge.
- Sell the appliance to certified scrap metal dealers.

Special notice

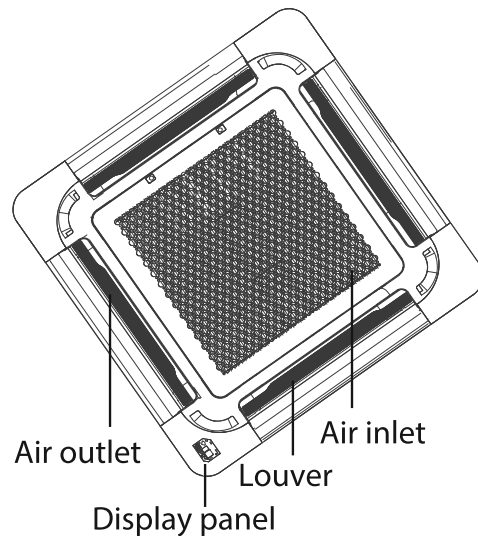
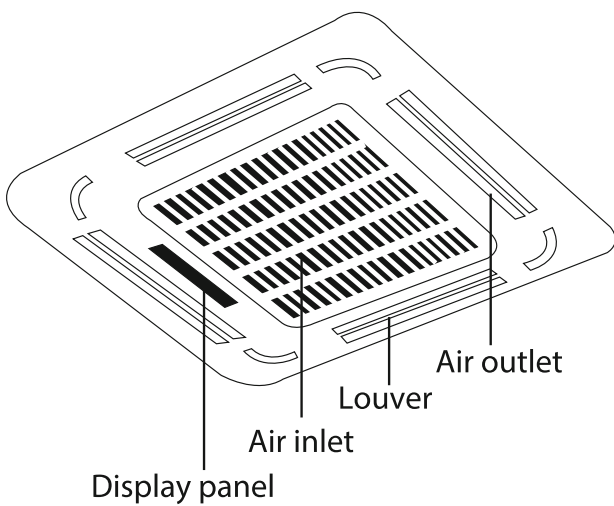
Disposing of this appliance in the forest or other natural surroundings endangers your health and is bad for the environment. Hazardous substances may leak into the ground water and enter the food chain.

Unit Specifications and Features

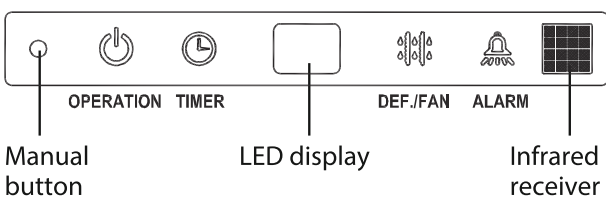
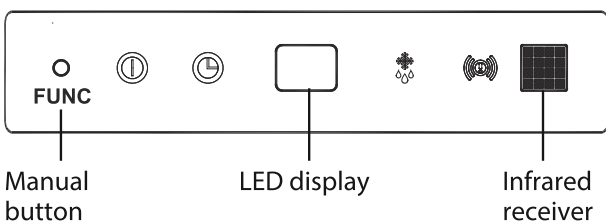
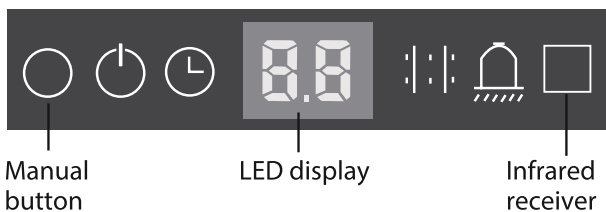
Indoor unit display

NOTE: Different models have different display panel. Not all the indicators describing below are available for the air conditioner you purchased. Please check the indoor display panel of the unit you purchased. Illustrations in this manual are for explanatory purposes. The actual shape of your indoor unit may be slightly different. The actual shape shall prevail.

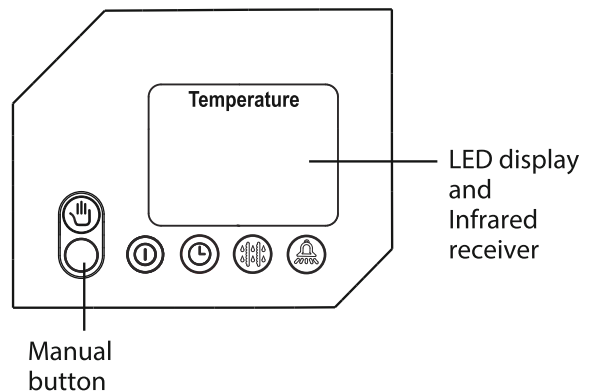
This display panel on the indoor unit can be used to operate the unit in case the remote control has been misplaced or is out of batteries.



















(A-1)

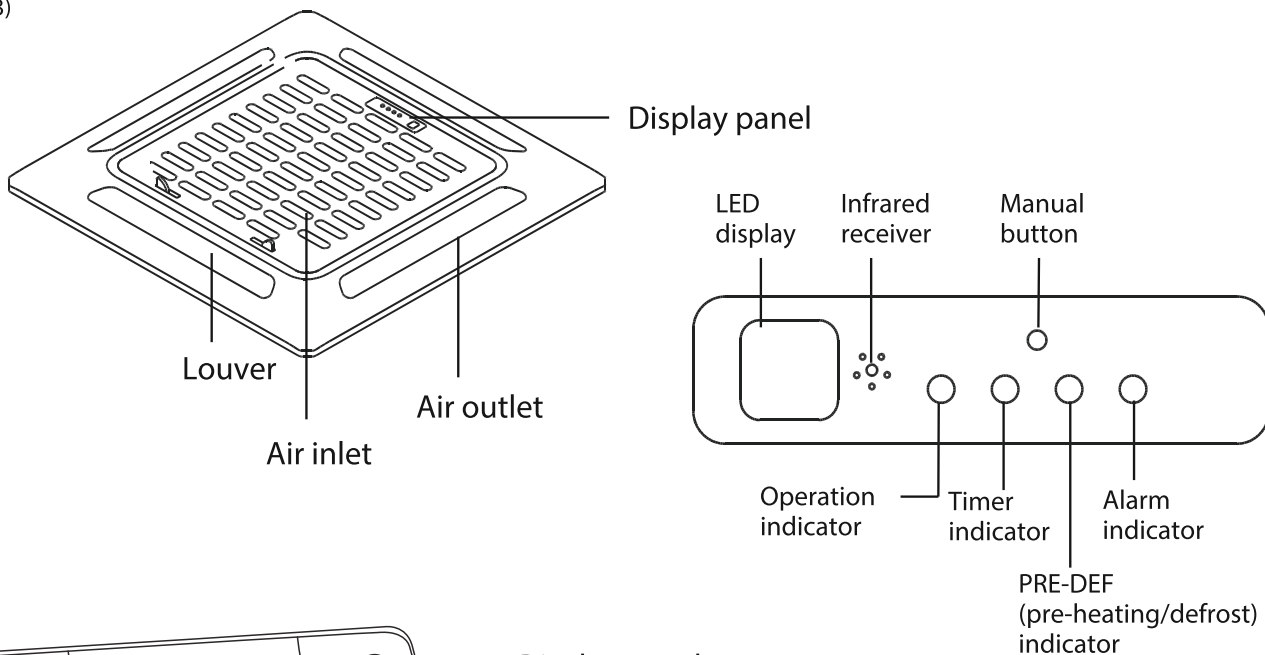


(A-2)

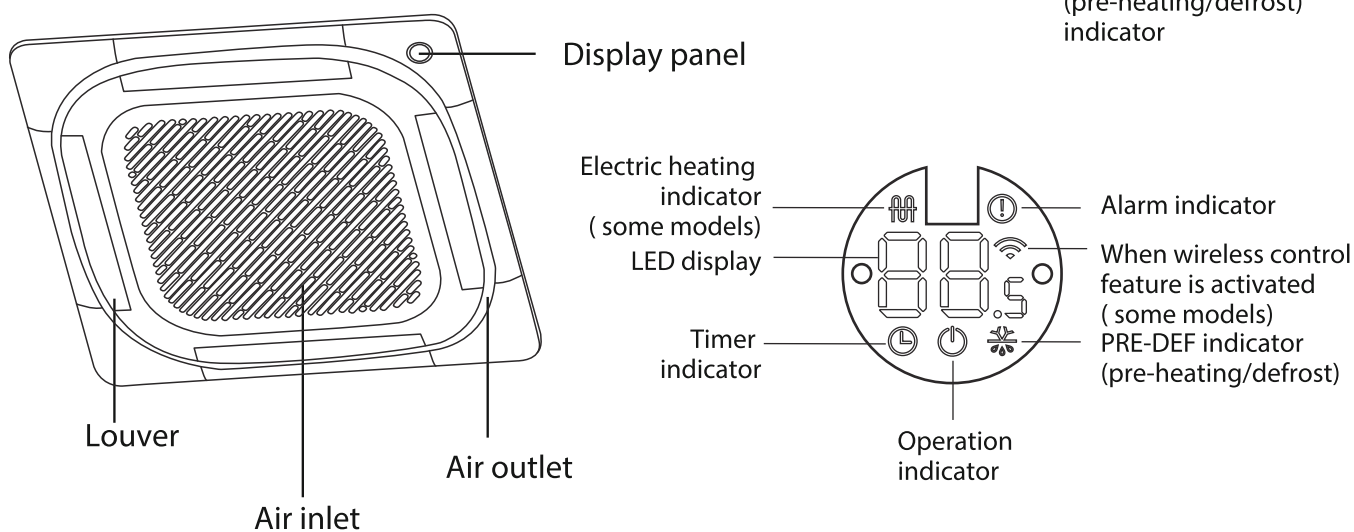


- **Operation indicator :**    
- **Timer indicator :**    
- **PRE-DEF indicator : (pre-heating/defrost)**    
- **Alarm indicator :**    

(A-3)



(B)



- **MANUAL button** : This button selects the mode in the following order: AUTO, FORCED COOL, OFF.
FORCED COOL mode : In FORCED COOL mode, the Operation light flashes. The system will then turn to AUTO after it has cooled with a high wind speed for 30 minutes. The remote control will be disabled during this operation.
OFF mode : When the display panel is turned off, the unit turns off and the remote control is re-enabled.

Operating temperature

When your air conditioner is used outside of the following temperature ranges, certain safety protection features may activate and cause the unit to disable.

Inverter Split Type

	COOL mode	HEAT mode	DRY mode
Room Temperature	16°C - 32°C (60°F - 90°F)	0°C - 30°C (32°F - 86°F)	10°C - 32°C (50°F - 90°F)
Outdoor Temperature	0°C - 50°C (32°F - 122°F)	-15°C - 24°C (5°F - 75°F)	0°C - 50°C (32°F - 122°F)
	-15°C - 50°C (5°F - 122°F) (For models with low temp. cooling systems.)		
	0°C - 52°C (32°F - 126°F) (For special tropical models)		0°C - 52°C (32°F - 126°F) (For special tropical models)

FOR OUTDOOR UNITS WITH AUXILIARY ELECTRIC HEATER

When outside temperature is below 0°C (32°F), we strongly recommend keeping the unit plugged in at all time to ensure smooth ongoing performance.

Fixed-speed Type

	COOL mode	HEAT mode	DRY mode
Room Temperature	16°C-32°C (60°F-90°F)	0°C-30°C (32°F-86°F)	10°C-32°C (50°F-90°F)
Outdoor Temperature	18°C-43°C (64°F-109°F)	-7°C-24°C (19°F-75°F)	11°C-43°C (52°F-109°F)
	-7°C-43°C (19°F-109°F) (For models with low-temp cooling systems)		18°C-43°C (64°F-109°F)
	18°C-52°C (64°F-126°F) (For special tropical models)		18°C-52°C (64°F-126°F) (For special tropical models)

NOTE: Room relative humidity less than 80%. If the air conditioner operates in excess of this figure, the surface of the air conditioner may attract condensation. Please sets the vertical air flow louver to its maximum angle (vertically to the floor), and set HIGH fan mode.

To further optimize the performance of your unit, do the following:

- Keep doors and windows closed.
- Limit energy usage by using TIMER ON and TIMER OFF functions.
- Do not block air inlets or outlets.
- Regularly inspect and clean air filters.

Other features

Default Setting

When the air conditioner restarts after a power failure, it will default to the factory settings (AUTO mode, AUTO fan, 24°C (76°F)). This may cause inconsistencies on the remote control and unit panel. Use your remote control to update the status.

Auto-Restart (some models)

In case of power failure, the system will immediately stop. When power returns, the Operation light on the indoor unit will flash. To restart the unit, press the **ON/OFF** button on the remote control. If the system has an auto restart function, the unit will restart using the same settings.

Three-minute protection feature (some models)

A protection feature prevents the air conditioner from being activated for approximately 3 minutes when it restarts immediately after operation.

Louver Angle Memory Function (some models)

Some models are designed with a louver angle memory function. When the unit restarts after a power failure, the angle of the horizontal louvers will automatically return to the previous position.

The angle of the horizontal louver should not be set too small as condensation may form and drip into the machine. To reset the louver, press the manual button, which will reset the horizontal louver settings.

Refrigerant Leak Detection System (some models)

In the event of a refrigerant leak, the LED DISPLAY will display refrigerant leak error code and the LED indicator light will flash.

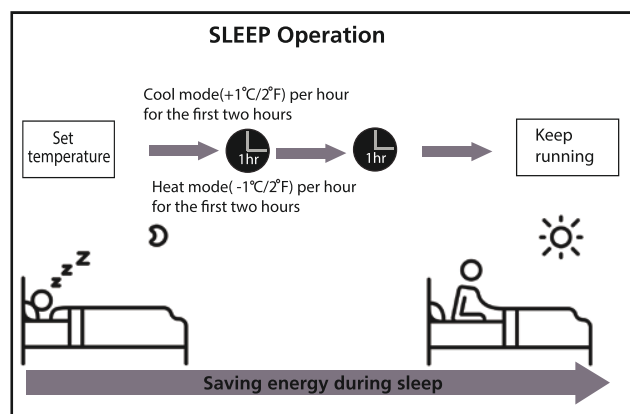
Sleep Operation (some models)

The SLEEP function is used to decrease energy use while you sleep (and don't need the same temperature settings to stay comfortable). This function can only be activated via remote control. And the Sleep function is not available in FAN or DRY mode.

Press the **SLEEP** button when you are ready to go to sleep. When in COOL mode, the unit will increase the temperature by 1°C (2°F) after 1 hour, and will increase an additional 1°C (2°F) after another hour.

When in HEAT mode, the unit will decrease the temperature by 1°C (2°F) after 1 hour, and will decrease an additional 1°C (2°F) after another hour.

The sleep feature will stop after 8 hours and the system will keep running with final situation.



Care and Maintenance

Cleaning Your Indoor Unit



BEFORE CLEANING OR MAINTENANCE

ALWAYS TURN OFF YOUR AIR CONDITIONER SYSTEM AND DISCONNECT ITS POWER SUPPLY BEFORE CLEANING OR MAINTENANCE.



CAUTION

Only use a soft, dry cloth to wipe the unit clean. If the unit is especially dirty, you can use a cloth soaked in warm water to wipe it clean.

- **Do not** use chemicals or chemically treated cloths to clean the unit
- **Do not** use benzene, paint thinner, polishing powder or other solvents to clean the unit. They can cause the plastic surface to crack or deform.
- **Do not** use water hotter than 40°C (104°F) to clean the front panel. This can cause the panel to deform or become discolored.

Cleaning Your Air Filter

A clogged air conditioner can reduce the cooling efficiency of your unit, and can also be bad for your health. Make sure to clean the filter once every two weeks.

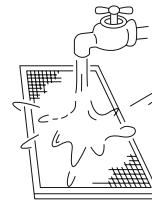


WARNING: DO NOT REMOVE OR CLEAN THE FILTER BY YOURSELF

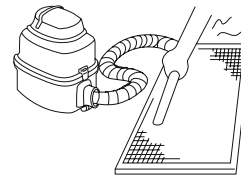
Removing and cleaning the filter can be dangerous. Removal and maintenance must be performed by a certified technician.

1. Remove the air filter.
2. Clean the air filter by vacuuming the surface or washing it in warm water with mild detergent.
3. Rinse the filter with clean water and allow it to air-dry. **DO NOT** let the filter dry in direct sunlight.
4. Reinstall the filter.

If using water, the inlet side should face down and away from the water stream.



If using a vacuum cleaner, the inlet side should face the vacuum.

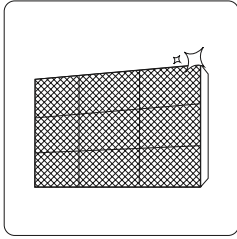


CAUTION

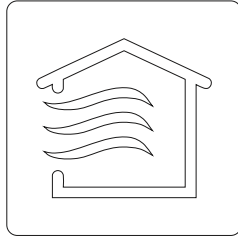
- Before changing the filter or cleaning, turn off the unit and disconnect its power supply.
- When removing filter, do not touch metal parts in the unit. The sharp metal edges can cut you.
- Do not use water to clean the inside of the indoor unit. This can destroy insulation and cause electrical shock.
- Do not expose filter to direct sunlight when drying. This can shrink the filter.
- Any maintenance and cleaning of outdoor unit should be performed by an authorized dealer or a licensed service provider.
- Any unit repairs should be performed by an authorized dealer or a licensed service provider.

Maintenance – Long Periods of Non-Use

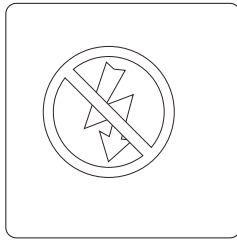
If you plan not to use your air conditioner for an extended period of time, do the following:



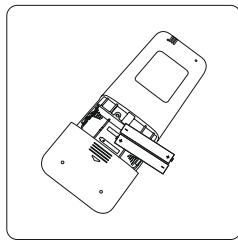
Clean all filters



Turn on FAN function until
unit dries out completely



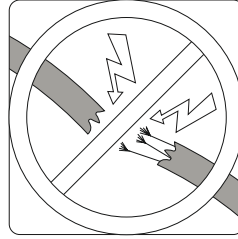
Turn off the unit and
disconnect the power



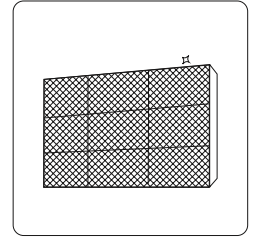
Remove batteries
from remote control

Maintenance – Pre-Season Inspection

After long periods of non-use, or before periods
of frequent use, do the following:



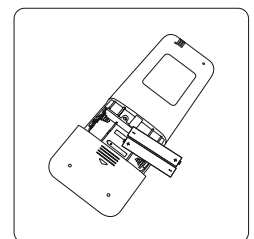
Check for damaged wires



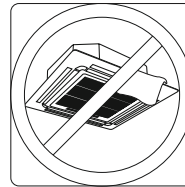
Clean all filters



Check for leaks



Replace batteries



Make sure nothing is blocking all air inlets and outlets

Troubleshooting

SAFETY PRECAUTIONS

If any of the following conditions occurs, turn off your unit immediately!

- The power cord is damaged or abnormally warm
- You smell a burning odor
- The unit emits loud or abnormal sounds
- A power fuse blows or the circuit breaker frequently trips
- Water or other objects fall into or out of the unit

DO NOT ATTEMPT TO FIX THESE YOURSELF! CONTACT AN AUTHORIZED SERVICE PROVIDER IMMEDIATELY!

Common Issues

The following problems are not a malfunction and in most situations will not require repairs.

Issue	Possible Causes
Unit does not turn on when pressing ON/OFF button	The Unit has a 3-minute protection feature that prevents the unit from overloading. The unit cannot be restarted within three minutes of being turned off.
	Cooling and Heating Models: If the Operation light and PRE-DEF (Pre-heating/Defrost) indicators are lit up, the outdoor temperature is too cold and the unit's anti-cold wind is activated in order to defrost the unit.
	In Cooling-only Models: If the "Fan Only" indicator is lit up, the outdoor temperature is too cold and the unit's anti-freeze protection is activated in order to defrost the unit.
The unit changes from COOL/HEAT mode to FAN mode	The unit may change its setting to prevent frost from forming on the unit. Once the temperature increases, the unit will start operating in the previously selected mode again.
	The set temperature has been reached, at which point the unit turns off the compressor. The unit will continue operating when the temperature fluctuates again.
The indoor unit emits white mist	In humid regions, a large temperature difference between the room's air and the conditioned air can cause white mist.
Both the indoor and outdoor units emit white mist	When the unit restarts in HEAT mode after defrosting, white mist may be emitted due to moisture generated from the defrosting process.
The indoor unit makes noises	A rushing air sound may occur when the louver resets its position.
	A squeaking sound is heard when the system is OFF or in COOL mode. The noise is also heard when the drain pump (optional) is in operation.
	A squeaking sound may occur after running the unit in HEAT mode due to expansion and contraction of the unit's plastic parts.
Both the indoor unit and outdoor unit make noises	Low hissing sound during operation: This is normal and is caused by refrigerant gas flowing through both indoor and outdoor units.
	Low hissing sound when the system starts, has just stopped running, or is defrosting: This noise is normal and is caused by the refrigerant gas stopping or changing direction.
	Squeaking sound: Normal expansion and contraction of plastic and metal parts caused by temperature changes during operation can cause squeaking noises.

Issue	Possible Causes
The outdoor unit makes noises	The unit will make different sounds based on its current operating mode.
Dust is emitted from either the indoor or outdoor unit	The unit may accumulate dust during extended periods of non-use, which will be emitted when the unit is turned on. This can be mitigated by covering the unit during long periods of inactivity.
The unit emits a bad odor	The unit may absorb odors from the environment (such as furniture, cooking, cigarettes, etc.) which will be emitted during operations.
	The unit's filters have become moldy and should be cleaned.
The fan of the outdoor unit does not operate	During operation, the fan speed is controlled to optimize product operation.

NOTE: If problem persists, contact a local dealer or your nearest customer service center. Provide them with a detailed description of the unit malfunction as well as your model number.

Troubleshooting

When troubles occur, please check the following points before contacting a repair company.

Problem	Possible Causes	Solution
Poor Cooling Performance	Temperature setting may be higher than ambient room temperature	Lower the temperature setting
	The heat exchanger on the indoor or outdoor unit is dirty	Clean the affected heat exchanger
	The air filter is dirty	Remove the filter and clean it according to instructions
	The air inlet or outlet of either unit is blocked	Turn the unit off, remove the obstruction and turn it back on
	Doors and windows are open	Make sure that all doors and windows are closed while operating the unit
	Excessive heat is generated by sunlight	Close windows and curtains during periods of high heat or bright sunshine
	Too many sources of heat in the room (people, computers, electronics, etc.)	Reduce amount of heat sources
	Low refrigerant due to leak or long-term use	Check for leaks, re-seal if necessary and top off refrigerant

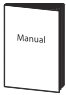
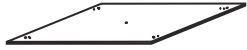












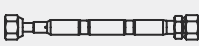




Problem	Possible Causes	Solution
The unit is not working	Power failure	Wait for the power to be restored
	The power is turned off	Turn on the power
	The fuse is burned out	Replace the fuse
	Remote control batteries are dead	Replace batteries
	The Unit's 3-minute protection has been activated	Wait three minutes after restarting the unit
	Timer is activated	Turn timer off
The unit starts and stops frequently	There's too much or too little refrigerant in the system	Check for leaks and recharge the system with refrigerant.
	Incompressible gas or moisture has entered the system.	Evacuate and recharge the system with refrigerant
	System circuit is blocked	Determine which circuit is blocked and replace the malfunctioning piece of equipment
	The compressor is broken	Replace the compressor
	The voltage is too high or too low	Install a manostat to regulate the voltage
Poor heating performance	The outdoor temperature is extremely low	Use auxiliary heating device
	Cold air is entering through doors and windows	Make sure that all doors and windows are closed during use
	Low refrigerant due to leak or long-term use	Check for leaks, re-seal if necessary and top off refrigerant
Indicator lamps continue flashing	<p>The unit may stop operation or continue to run safely. If the indicator lamps continue to flash or error codes appear, wait for about 10 minutes. The problem may resolve itself.</p> <p>If not, disconnect the power, then connect it again. Turn the unit on. If the problem persists, disconnect the power and contact your nearest customer service center.</p>	
<p>Error code appears and begins with the letters as the following in the window display of indoor unit:</p> <ul style="list-style-type: none"> • E(x), P(x), F(x) • EH(xx), EL(xx), EC(xx) • PH(xx), PL(xx), PC(xx) 		

NOTE: If your problem persists after performing the checks and diagnostics above, turn off your unit immediately and contact an authorized service center.

Accessories

The air conditioning system comes with the following accessories. Use all of the installation parts and accessories to install the air conditioner. Improper installation may result in water leakage, electrical shock and fire, or cause the equipment to fail. The items are not included with the air conditioner must be purchased separately.

Accessories

Name of Accessories	Q'ty(pc)	Shape	Name of Accessories	Q'ty(pc)	Shape
Manual	2~4		Installation paper template (some models)	1	
Soundproof/insulation sheath (some models)	1		Anti-shock rubber (some models)	1	
Soundproof/insulation sheath (some models)	1		Drain joint (some models)	1	
Outlet pipe sheath (some models)	1		Seal ring (some models)	1	
Outlet pipe clasp (some models)	1~2 (depending on models)		Copper nut	2	
Ceiling hook (some models)	4		Magnetic ring (wrap the electric wires S1 & S2 (P & Q & E) around the magnetic ring twice) (some models)	1	
Suspension bolt (some models)	4		Magnetic ring (Hitch it on the connective cable between indoor unit and outdoor unit after installation.) (some models)	Varies by model	
Throttle (some units)	1		Tapping screw (some models)	4	
Belt (some models)	4		Throat bander (some models)	2	
Conduit installation plate (some models)	1				

Optional accessories

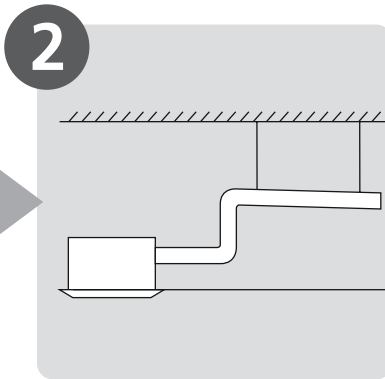
- There are two types of remote controls: wired and wireless. Select a remote controller based on customer preferences and requirements and install in an appropriate place. Refer to catalogues and technical literature for guidance on selecting a suitable remote controller.

Name	Shape	Quantity(PC)
Connecting pipe assembly	Liquid side	Φ 6.35 (1/4in)
		Φ 9.52 (3/8in)
		Φ 12.7 (1/2in)
	Gas side	Φ 9.52 (3/8in)
		Φ 12.7 (1/2in)
		Φ 16 (5/8in)
		Φ 19 (3/4in)
	Φ 22 (7/8in)	
		Parts you must purchase separately. Consult the dealer about the proper pipe size of the unit you purchased.

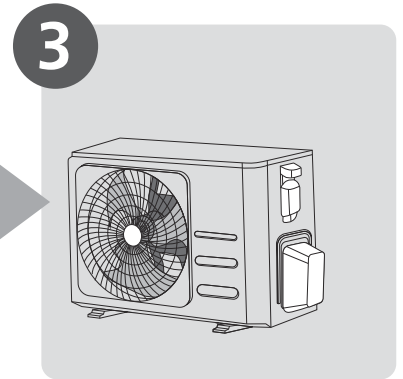
Installation Summary



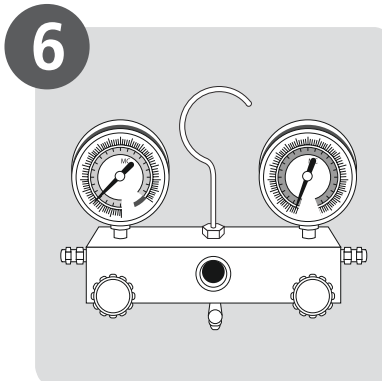
1
Install the indoor unit



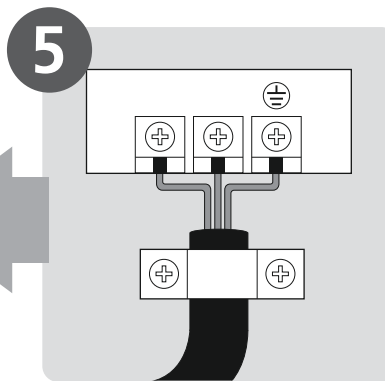
2
Install the drainpipe



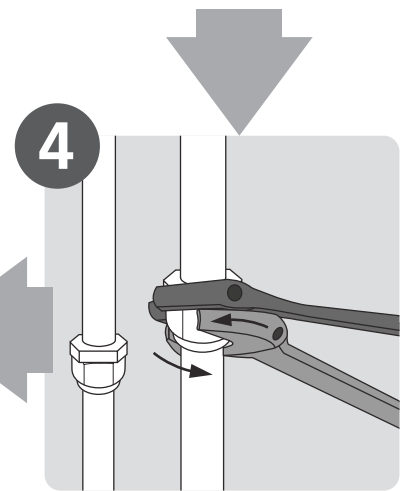
3
Install the outdoor unit



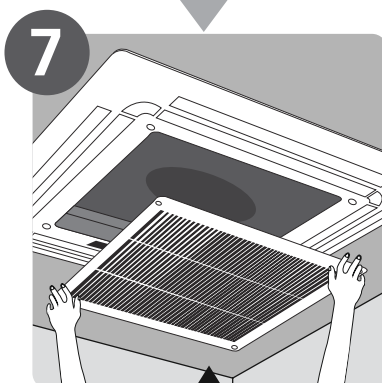
6
Evacuate the refrigeration system



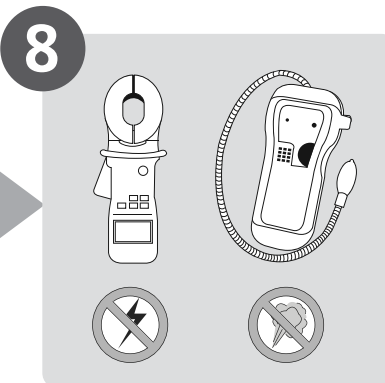
5
Connect the wires



4
Connect the refrigerant pipes



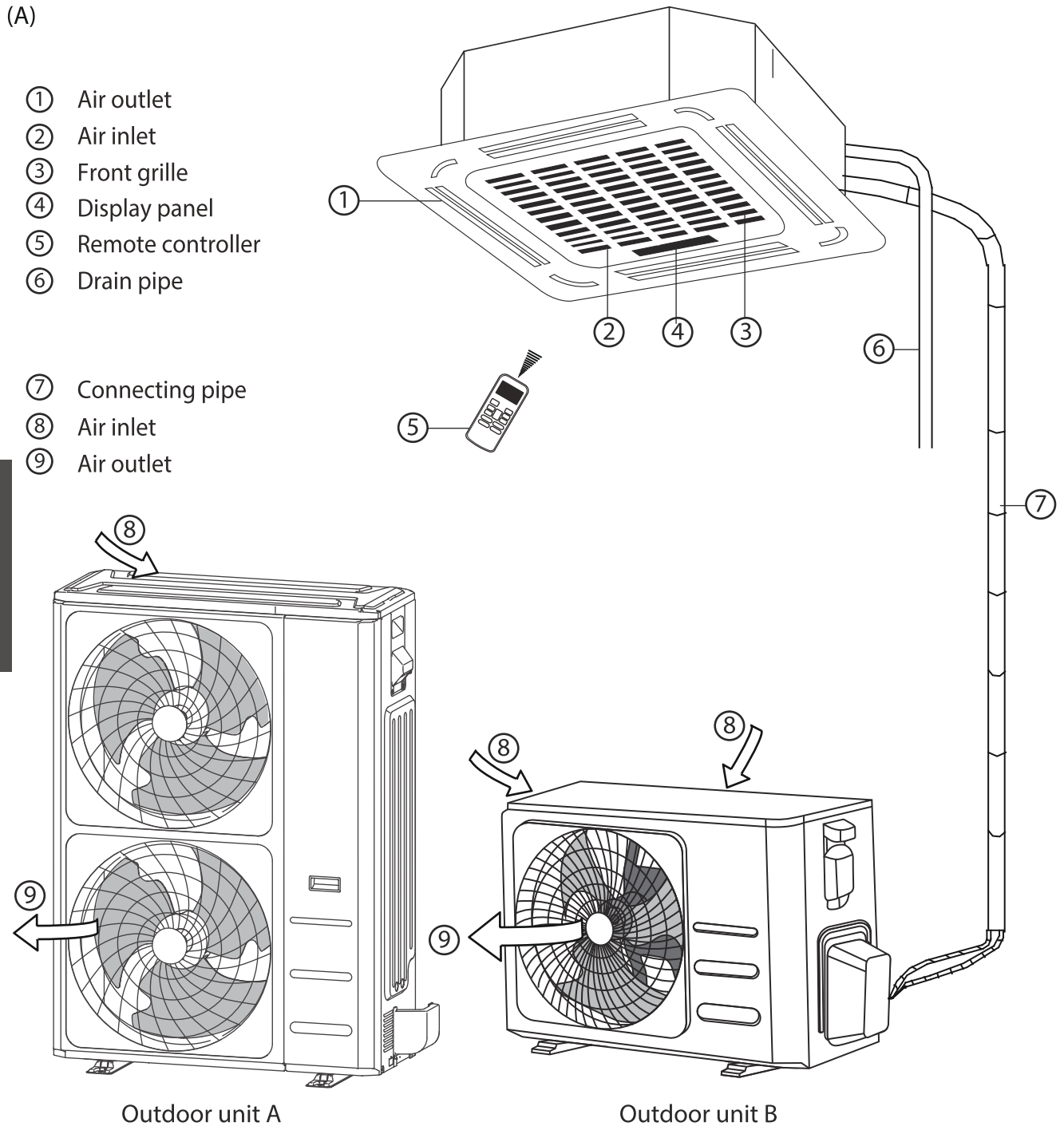
7
Install the front panel



8
Perform a test run

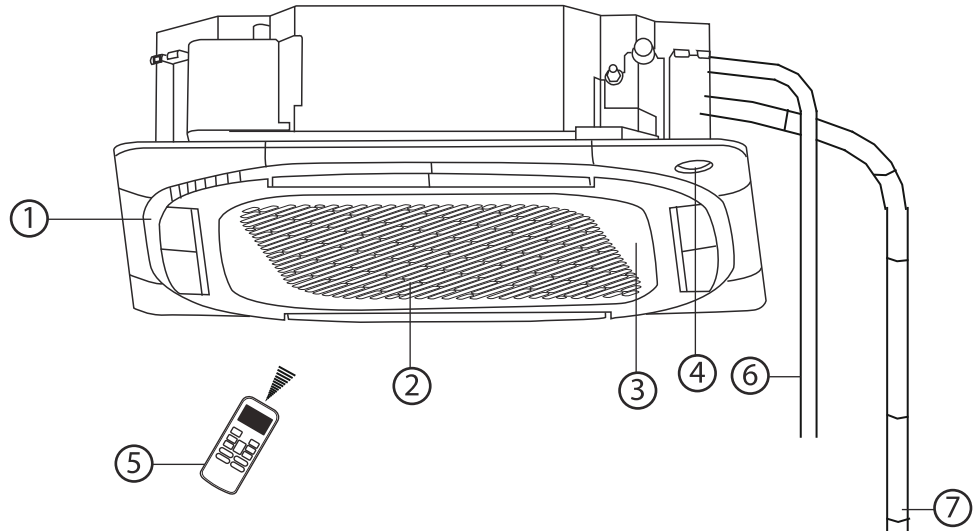
Unit Parts

NOTE: The installation must be performed in accordance with the requirement of local and national standards. The installation may be slightly different in different areas.

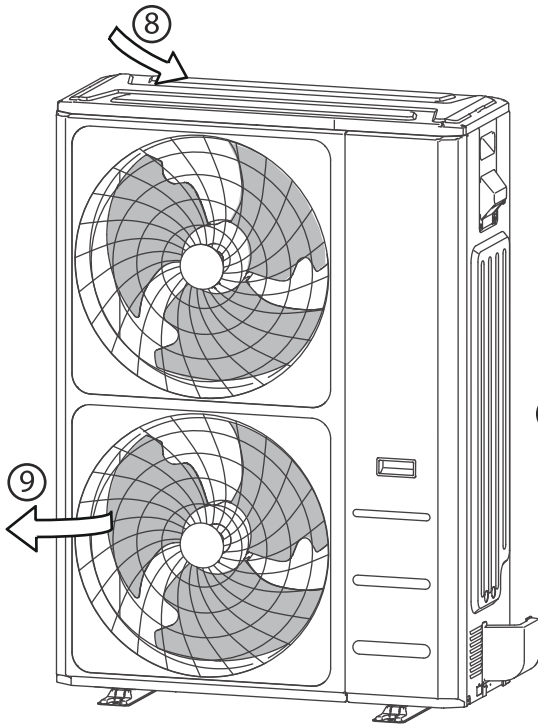


(B)

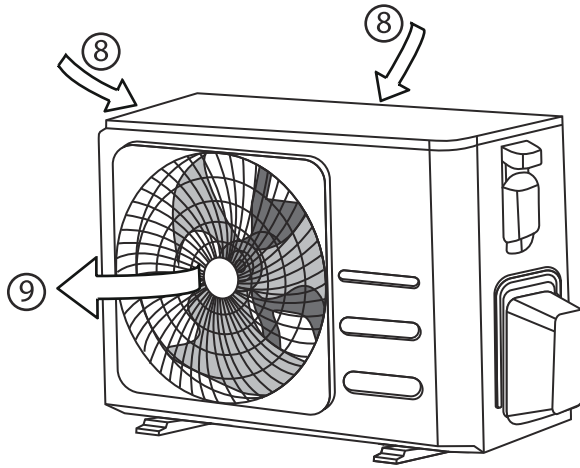
- ① Air outlet
- ② Air inlet
- ③ Front grille
- ④ Display panel
- ⑤ Remote controller
- ⑥ Drain pipe



- ⑦ Connecting pipe
- ⑧ Air inlet
- ⑨ Air outlet



Outdoor unit A



Outdoor unit B

NOTE ON ILLUSTRATIONS

Illustrations in this manual are for explanatory purposes. The actual shape of your indoor unit may be slightly different. The actual shape shall prevail.

Indoor Unit Installation

Installation Instructions – Indoor unit

NOTE: Panel installation should be performed after piping and wiring have been completed.

Step 1: Select installation location

Before installing the indoor unit, you must choose an appropriate location. The following are standards that will help you choose an appropriate location for the unit.

Proper installation locations meet the following standards:

- ☑ Enough room exists for installation and maintenance.
- ☑ Enough room exists for the connecting the pipe and drainpipe.
- ☑ The ceiling is horizontal and its structure can sustain the weight of the indoor unit.
- ☑ The air inlet and outlet are not blocked.
- ☑ The airflow can fill the entire room.
- ☑ There is no direct radiation from heaters.

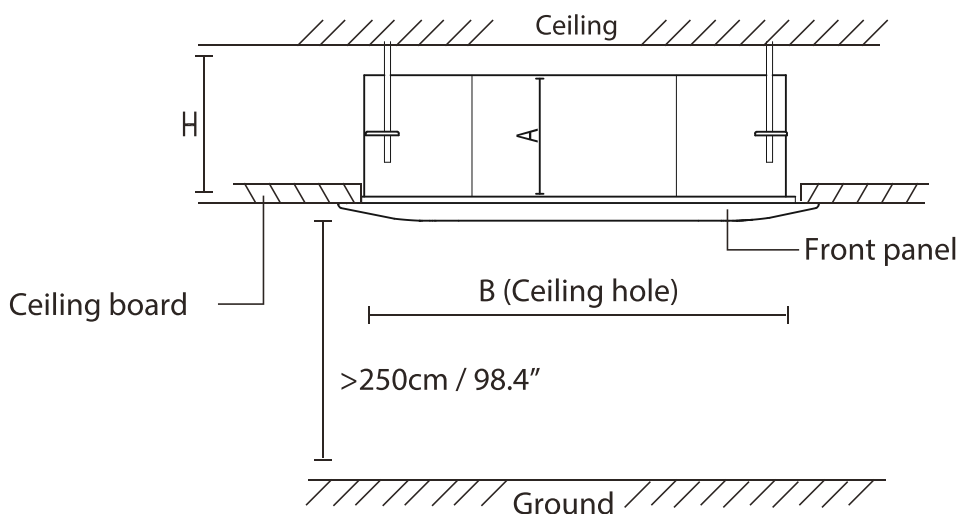
DO NOT install unit in the following locations:

- ⊘ Areas with oil drilling or fracking
- ⊘ Coastal areas with high salt content in the air
- ⊘ Areas with caustic gases in the air, such as hot springs
- ⊘ Areas that experience power fluctuations, such as factories
- ⊘ Enclosed spaces, such as cabinets
- ⊘ Kitchens that use natural gas
- ⊘ Areas with strong electromagnetic waves
- ⊘ Areas that store flammable materials or gas
- ⊘ Rooms with high humidity, such as bathrooms or laundry rooms

Recommended distances between the indoor unit and the ceiling

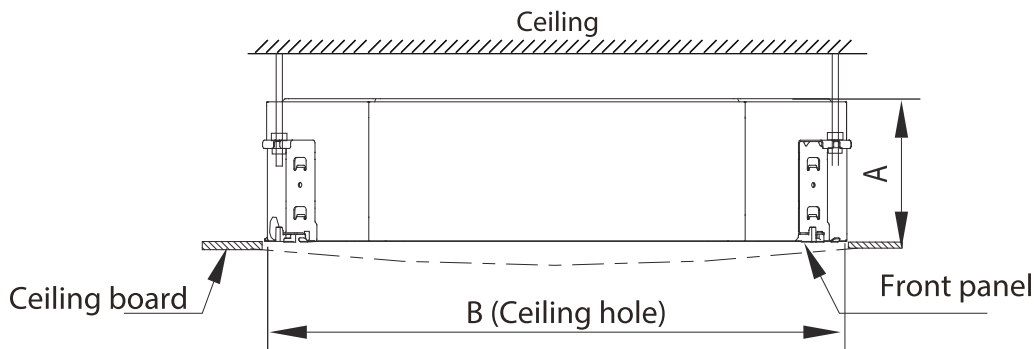
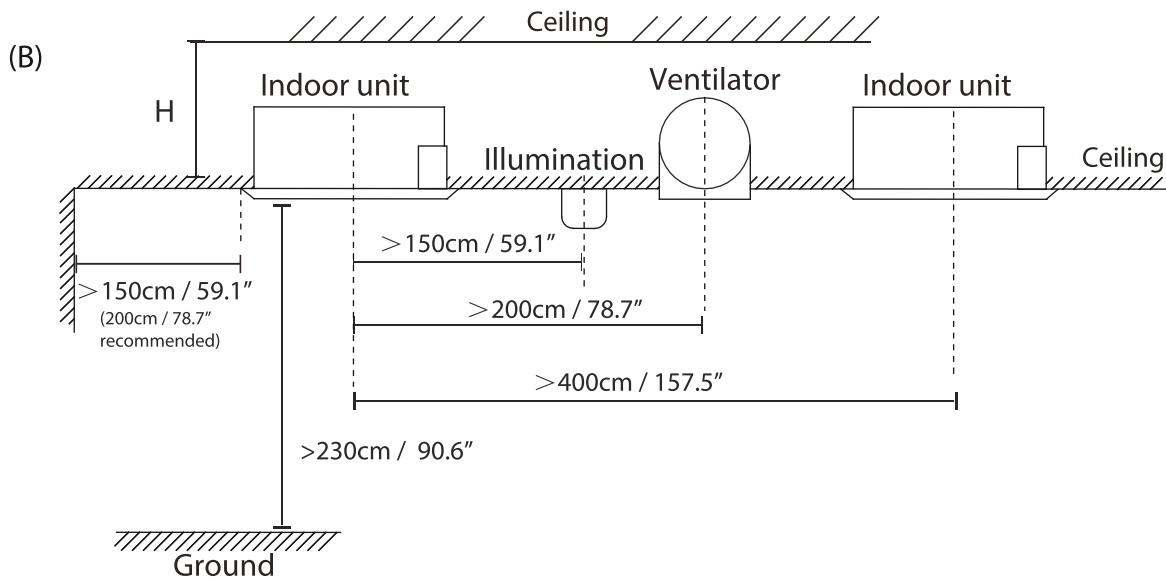
The distance between the mounted indoor unit and the internal ceiling should meet the following specifications.

(A)



Distance from ceiling relative to height of indoor unit

TYPE	MODEL	Length of A (mm/inch)	Length of H (mm/inch)	Length of B (mm/inch)
Super-Slim models	18-24	205/8	> 235/9.3	880/34.5
	24	245/9.6	> 275/10.8	
	30	205/8	> 235/9.3	
	30-48	245/9.6	> 275/10.8	
	48-60	287/11.3	> 317/12.5	
	48-60	287/11.3	> 317/12.5	940/37.0
Compact models		260/10.2	> 290/11.4	600/23.6



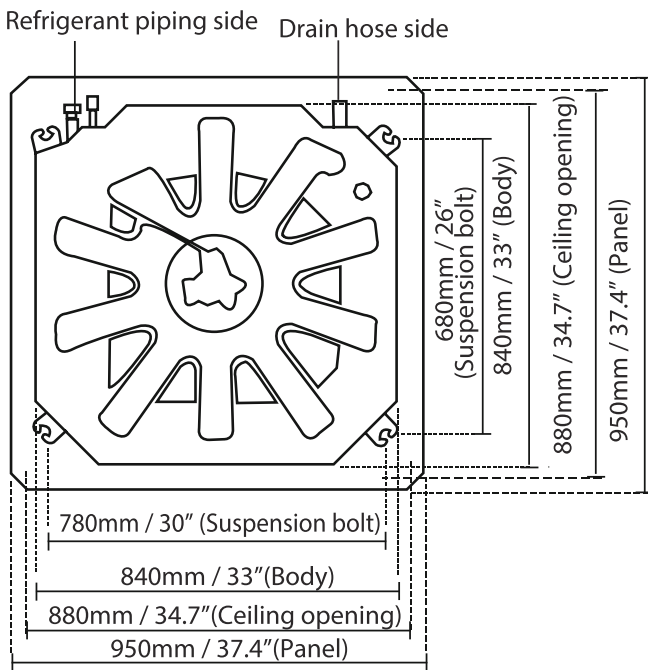
Distance from ceiling relative to height of indoor unit

MODEL	Length of A (mm/inch)	Length of H (mm/inch)	Length of B (mm/inch)
18-24	205/8.03	230/9.06	900/35.4
30-42	245/9.65	271/10.7	
42-60	287/11.3	313/12.3	

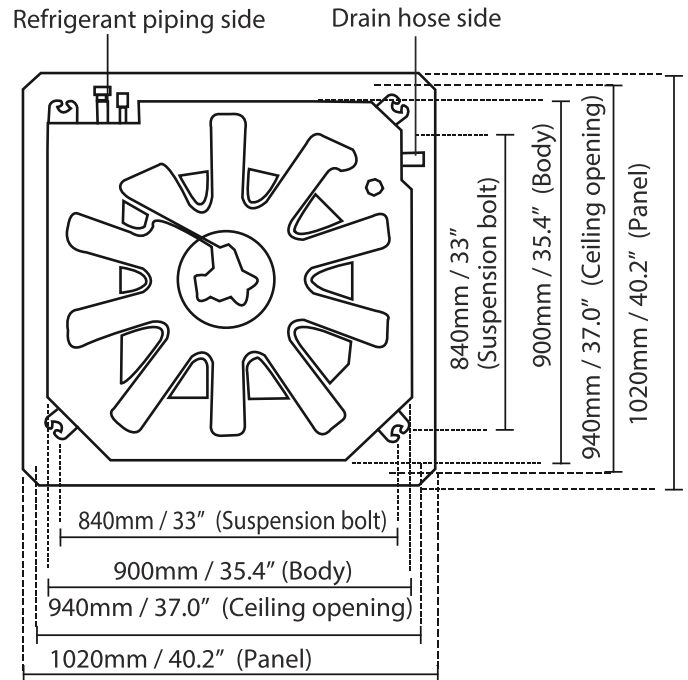
Step 2: Hang indoor unit

1. Use the included paper template to cut a rectangular hole in the ceiling, leaving at least 1m (39") on all sides. The cut hole size should be 4cm(1.6") larger than the body size. Be sure to mark the areas where ceiling hook holes will be drilled.

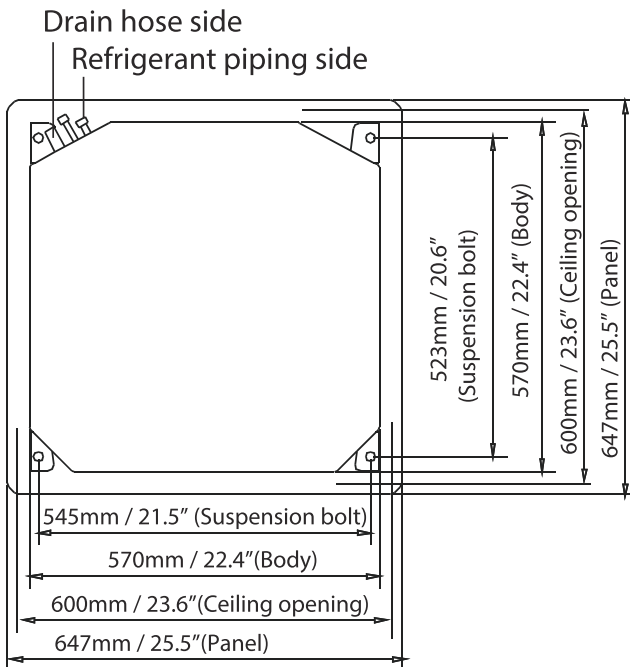
(A)



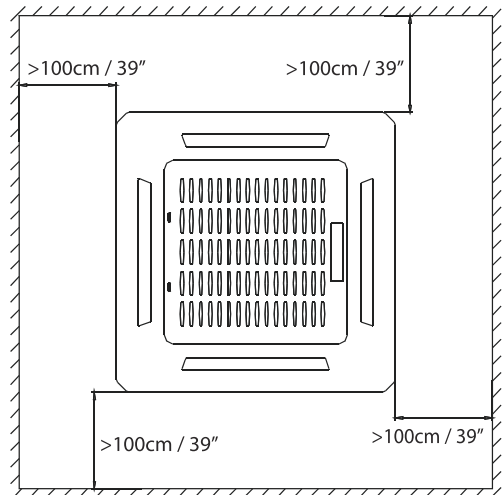
18-48K Super-Slim models ceiling hole size



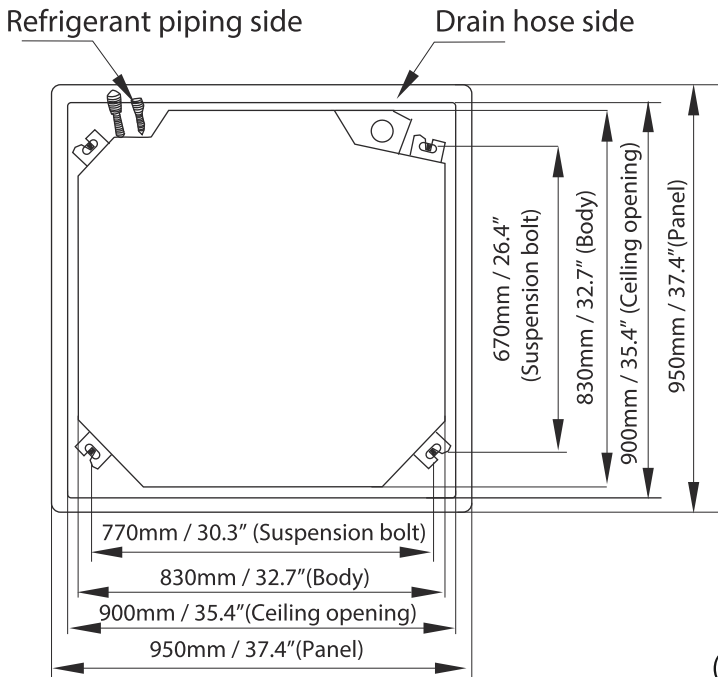
60K Super-Slim models ceiling hole size



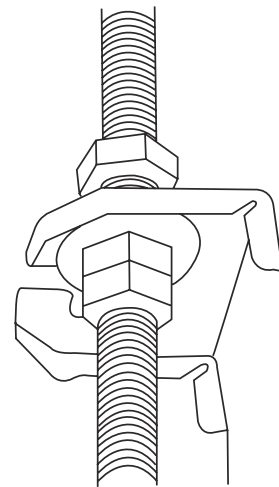
Compact models ceiling hole size



(B)



5. Mount the indoor unit. You will need two people to lift and secure it. Insert suspension bolts into the unit's hanging holes. Fasten them using the included washers and nuts.



(A)

NOTE: The bottom of the unit should be 10-18mm(0.4-0.7")(Super-Slim models) or 24mm (0.9")(Compact models) higher than the ceiling board. Generally, L (indicated in the following figure) should be half the length of the suspension bolt or long enough to prevent the nuts from coming off.

CAUTION

The unit body should align perfectly with the hole. Ensure that the unit and the hole are the same size before moving on.

2. (A)

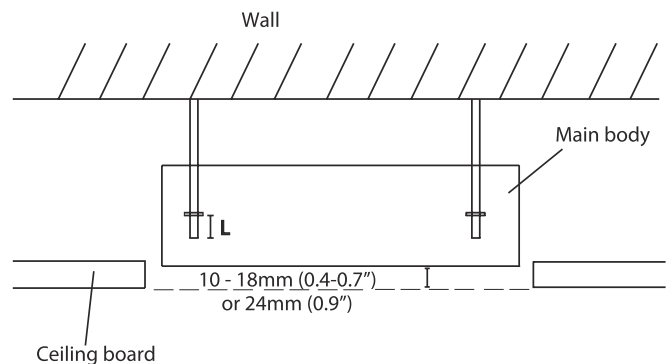
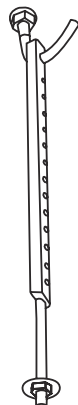
Drill 4 holes 5cm (2") deep at the ceiling hook positions in the internal ceiling. Be sure to hold the drill at a 90° angle to the ceiling.

(B)

Drill 4 holes 12cm-15.5cm (4.7"-6.1") deep at the ceiling hook positions in the internal ceiling. Be sure to hold the drill at a 90° angle to the ceiling.

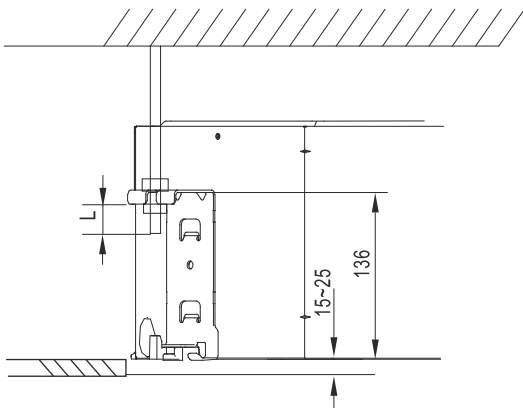
3. Using a hammer, insert the ceiling hooks into the pre-drilled holes. Secure the bolt using the included washers and nuts.

4. Install the four suspension bolts.



(B)

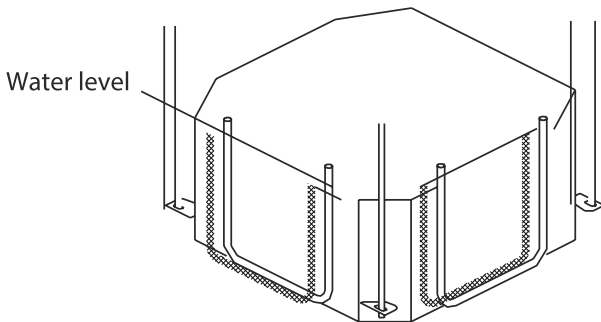
NOTE: The bottom of the unit should be 10-25mm(0.4-0.98")higher than the ceiling board. Generally, L (indicated in the following figure) should be half the length of the suspension bolt or long enough to prevent the nuts from coming off.



CAUTION

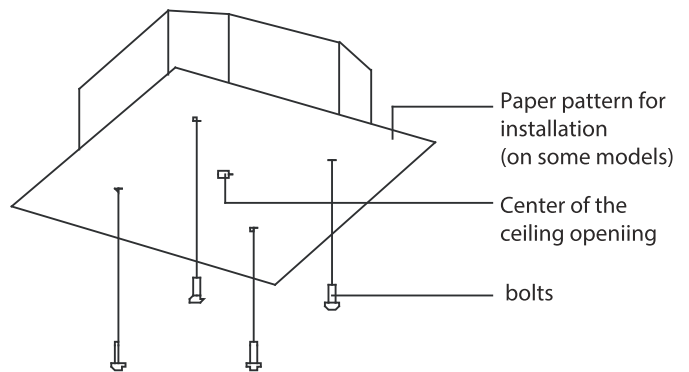
Ensure that the unit is completely level. Improper installation can cause the drain pipe to back up into the unit or water leakage.

NOTE: Ensure that the indoor unit is level. The unit is equipped with a built-in drain pump and float switch. If the unit is tilted against the direction of condensate flows (the drainpipe side is raised), the float switch may malfunction and cause water to leak. (for some models)



NOTE FOR NEW HOME INSTALLATION

When installing the unit in a new home, the ceiling hooks can be embedded in advance. Make sure that the hooks do not come loose due to concrete shrinkage. After installing the indoor unit, fasten the installation paper template onto the unit with bolts to determine in advance the dimension and position of the opening on the ceiling. Follow the instructions above for the remainder of the installation.



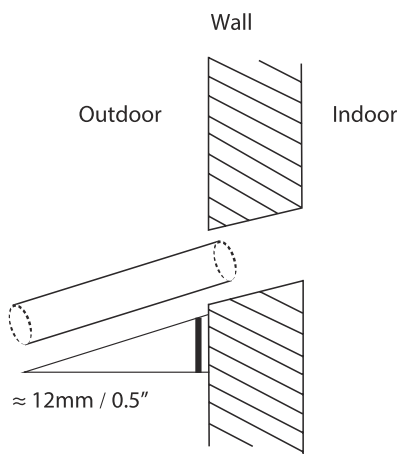
Step 3: Drill wall hole for connective piping

1. Determine the location of the wall hole based on the location of the outdoor unit.
2. Using a 65mm (2.56") or 90mm(3.54") (depending on models) core drill, drill a hole in the wall. Make sure that the hole is drilled at a slight downward angle, so that the outdoor end of the hole is lower than the indoor end by about 12mm (0.5"). This will ensure proper water drainage.
3. Place the protective wall cuff in the hole. This protects the edges of the hole and will help seal it when you finish the installation process.



CAUTION

When drilling the wall hole, make sure to avoid wires, plumbing, and other sensitive



Step 4: Connect drain hose

The drainpipe is used to drain water away from the unit. Improper installation may cause unit and property damage.



CAUTION

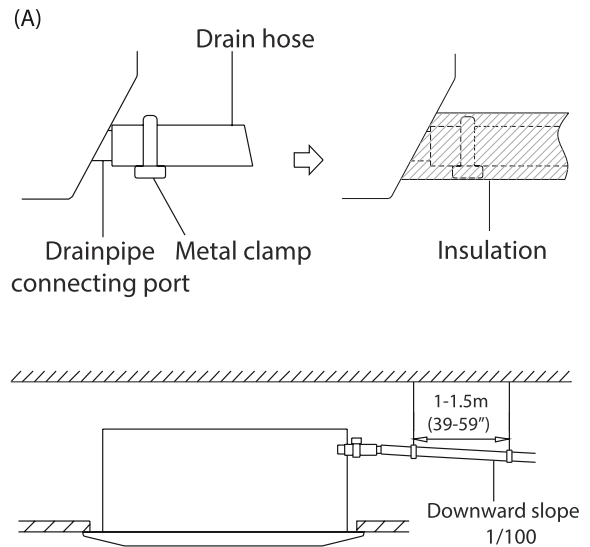
- Insulate all piping to prevent condensation, which could lead to water damage.
- If the drainpipe is bent or installed incorrectly, water may leak and cause a water-level switch malfunction.
- In HEAT mode, the outdoor unit will discharge water. Ensure that the drain hose is placed in an appropriate area to avoid water damage and slippage.
- **DO NOT** pull the drainpipe forcefully. This could disconnect it.

NOTE ON PURCHASING PIPES

Installation requires a polyethylene tube (exterior diameter = 2.5cm or 3.7-3.9cm) (depending on models), which can be obtained at your local hardware store or dealer.

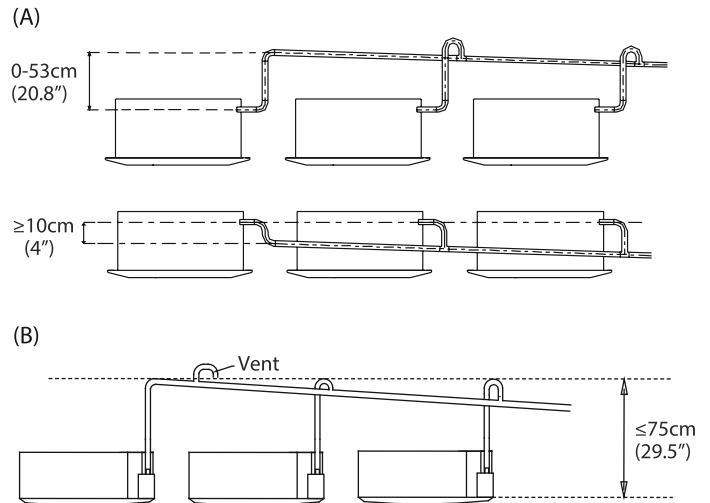
Indoor Drainpipe Installation

Install the drainpipe as illustrated in the following Figure.



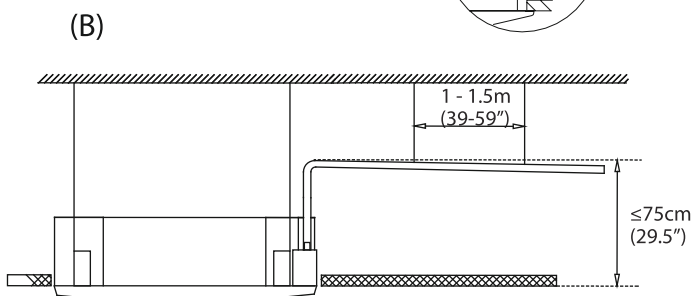
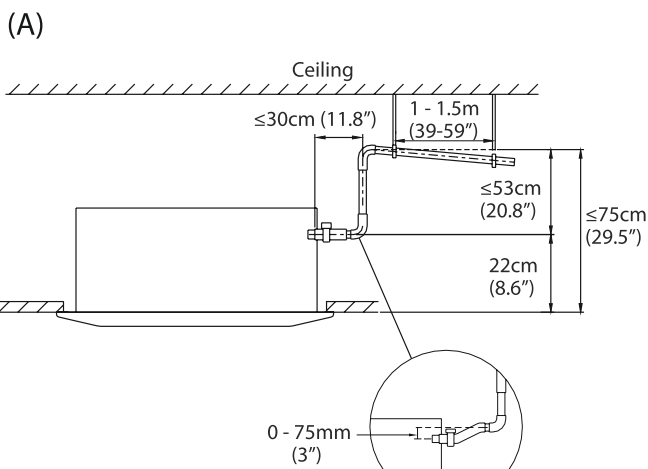
NOTE ON DRAINPIPE INSTALLATION

- When using an extended drainpipe, tighten the indoor connection with an additional protection tube to prevent it from pulling loose.
- The drainpipe should slope downward at a gradient of at least 1/100 to prevent water from flowing back into the air conditioner.
- To prevent the pipe from sagging, space hanging wires every 1-1.5m (39-59").
- If the outlet of the drainpipe is higher than the body's pump joint, provide a lift pipe for the exhaust outlet of the indoor unit. The lift pipe must be installed no higher than 75cm (29.5") from the ceiling board and the distance between the unit and the lift pipe must be less than 30cm (11.8") (depending on models).
Incorrect installation could cause water to flow back into the unit and flood.
- To prevent air bubbles, keep the drain hose level or slightly tiled up (<75mm / 3") (some models).



Pass the drain hose through the wall hole. Make sure the water drains to a safe location where it will not cause water damage or a slipping hazard.

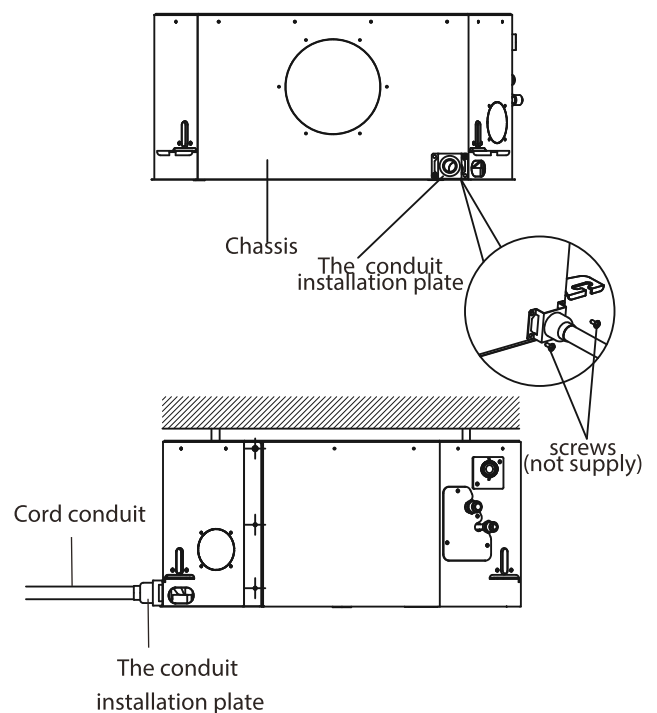
NOTE: The drainpipe outlet should be at least 5cm (1.9") above the ground. If it touches the ground, the unit may become blocked and malfunction. If you discharge the water directly into a sewer, make sure that the drain has a U or S pipe to catch odors that might otherwise come back into the house.



NOTE: When connecting multiple drainpipes, install the pipes as illustrated in the following figure.

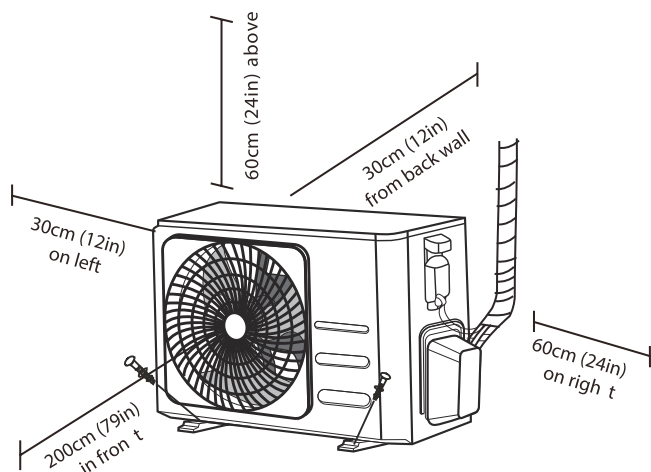
How to install the conduit installation plate (if supplied)

1. Fix the sheath connector (not supply) on the wire hole of the conduit installation plate.
2. Fix the the conduit installation plate on the chassis of the unit.



Outdoor Unit Installation

Install the unit by following local codes and regulations, there may be differ slightly between different regions.



Installation Instructions – Outdoor unit

Step 1: Select installation location

Before installing the outdoor unit, you must choose an appropriate location. The following are standards that will help you choose an appropriate location for the unit.

Proper installation locations meet the following standards:

- ☑ Meets all spatial requirements shown in Installation Space Requirements above.
- ☑ Good air circulation and ventilation
- ☑ Firm and solid—the location can support the unit and will not vibrate
- ☑ Noise from the unit will not disturb others
- ☑ Protected from prolonged periods of direct sunlight or rain
- ☑ Where snowfall is anticipated, take appropriate measures to prevent ice buildup and coil damage.

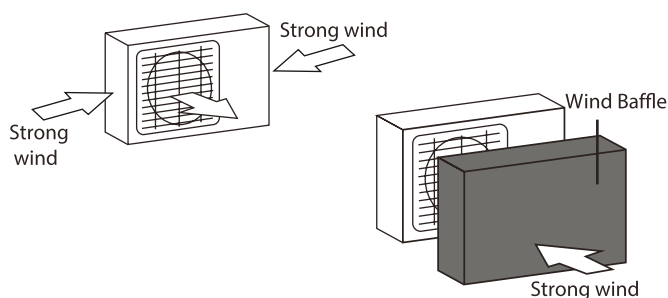
DO NOT install unit in the following locations:

- ⊗ Near an obstacle that will block air inlets and outlets
- ⊗ Near a public street, crowded areas, or where noise from the unit will disturb others
- ⊗ Near animals or plants that will be harmed by hot air discharge
- ⊗ Near any source of combustible gas
- ⊗ In a location that is exposed to large amounts of dust
- ⊗ In a location exposed to a excessive amounts of salty air

SPECIAL CONSIDERATIONS FOR EXTREME WEATHER

If the unit is exposed to heavy wind:

Install unit so that air outlet fan is at a 90° angle to the direction of the wind. If needed, build a barrier in front of the unit to protect it from extremely heavy winds. See Figures below.



If the unit is frequently exposed to heavy rain or snow:

Build a shelter above the unit to protect it from the rain or snow. Be careful not to obstruct air flow around the unit.

If the unit is frequently exposed to salty air (seaside):

Use outdoor unit that is specially designed to resist corrosion.

Step 2: Install drain joint(Heat pump unit only)

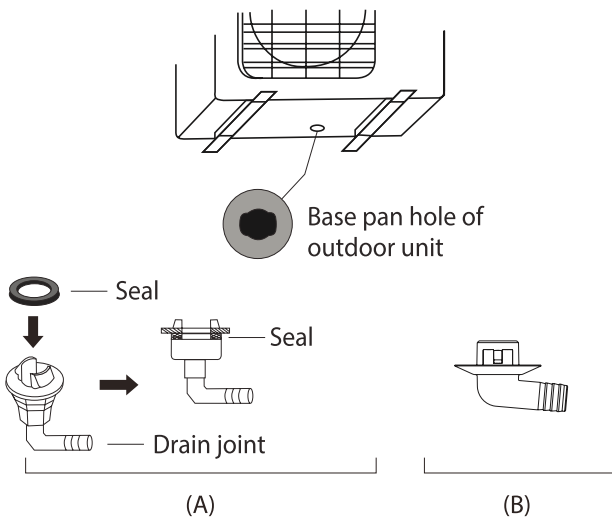
Before bolting the outdoor unit in place, you must install the drain joint at the bottom of the unit. Note that there are two different types of drain joints depending on the type of outdoor unit.

If the drain joint comes with a rubber seal (see Fig. A), do the following:

1. Fit the rubber seal on the end of the drain joint that will connect to the outdoor unit.
2. Insert the drain joint into the hole in the base pan of the unit.
3. Rotate the drain joint 90° until it clicks in place facing the front of the unit.
4. Connect a drain hose extension (not included) to the drain joint to redirect water from the unit during heating mode.

If the drain joint doesn't come with a rubber seal (see Fig. B), do the following:

1. Insert the drain joint into the hole in the base pan of the unit. The drain joint will click in place.
2. Connect a drain hose extension (not included) to the drain joint to redirect water from the unit during heating mode.



Step 3: Anchor outdoor unit

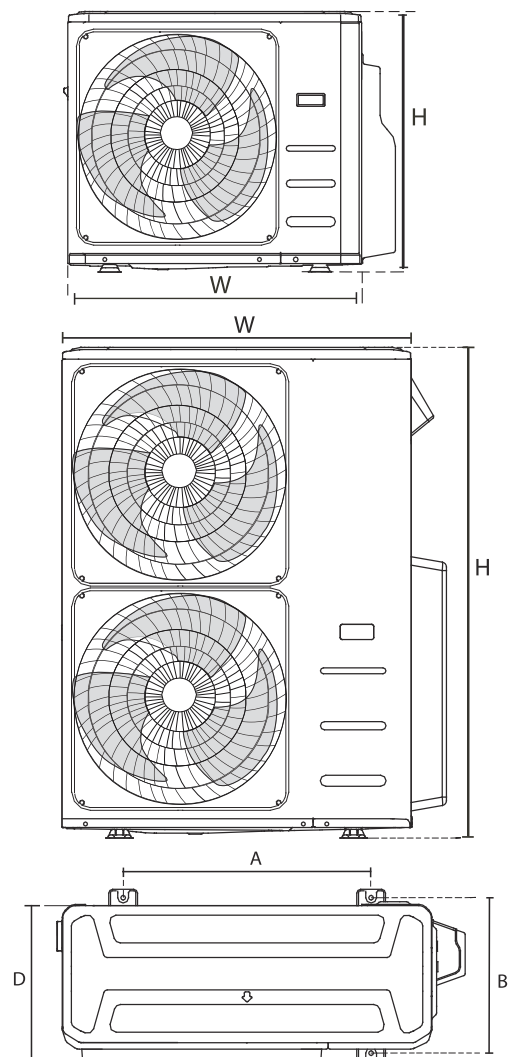
The outdoor unit can be anchored to the ground or to a wall-mounted bracket with bolt(M10). Prepare the installation base of the unit according to the dimensions below.

UNIT MOUNTING DIMENSIONS

The following is a list of different outdoor unit sizes and the distance between their mounting feet. Prepare the installation base of the unit according to the dimensions below.

Outdoor Unit Types and Specifications

Split Type Outdoor Unit



! IN COLD CLIMATES

In cold climates, make sure that the drain hose is as vertical as possible to ensure swift water drainage. If water drains too slowly, it can freeze in the hose and flood the unit.

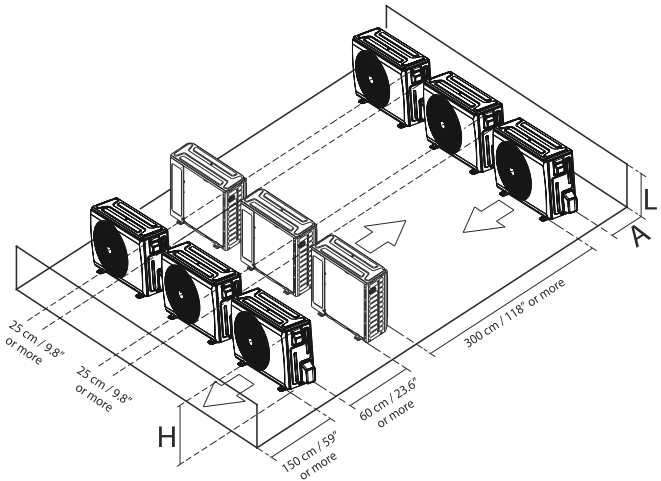
(unit: mm/inch)

Outdoor Unit Dimensions W x H x D	Mounting Dimensions	
	Distance A	Distance B
760x590x285 (29.9x23.2x11.2)	530 (20.85)	290 (11.4)
810x558x310 (31.9x22x12.2)	549 (21.6)	325 (12.8)
845x700x320 (33.27x27.5x12.6)	560 (22)	335 (13.2)
900x860x315 (35.4x33.85x12.4)	590 (23.2)	333 (13.1)
945x810x395 (37.2x31.9x15.55)	640 (25.2)	405 (15.95)
990x965x345 (38.98x38x13.58)	624 (24.58)	366 (14.4)
938x1369x392 (36.93x53.9x15.43)	634 (24.96)	404 (15.9)
900x1170x350 (35.4x46x13.8)	590 (23.2)	378 (14.88)
800x554x333 (31.5x21.8x13.1)	514 (20.24)	340 (13.39)
845x702x363 (33.27x27.6x14.3)	540 (21.26)	350 (13.8)
946x810x420 (37.24x31.9x16.53)	673 (26.5)	403 (15.87)
946x810x410 (37.24x31.9x16.14)	673 (26.5)	403 (15.87)
952x1333x410 (37.5x52.5x16.14)	634 (24.96)	404 (15.9)
952x1333x415 (37.5x52.5x16.34)	634 (24.96)	404 (15.9)
890x673x342 (35x26.5x13.46)	663 (26.1)	354 (13.94)
765x555x303 (30.1x 21.8x 11.9)	452 (17.8)	286(11.3)
805x554x330 (31.7x 21.8x 12.9)	511 (20.1)	317 (12.5)
770x555x300 (30.3x21.8x11.8)	487 (19.2)	298 (11.7)

Rows of series installation

The relations between H, A and L are as follows.

	L	A
L ≤ H	L ≤ 1/2H	25 cm / 9.8" or more
	1/2H < L ≤ H	30 cm / 11.8" or more
L > H	Can not be installed	



Refrigerant Piping Connection

When connecting refrigerant piping, **do not** let substances or gases other than the specified refrigerant enter the unit. The presence of other gases or substances will lower the unit's capacity, and can cause abnormally high pressure in the refrigeration cycle. This can cause explosion and injury.

Note on Pipe Length

Ensure that the length of the refrigerant pipe, the number of bends, and the drop height between the indoor and outdoor units meets the requirements shown in the following table :

The Maximum Length And Drop Height Based on Models. (Unit: m/ft.)

Type of model	Capacity (Btu/h)	Length of piping	Maximum drop height
North America, Australia and the EU Inverter Split Type	<15K	25/82	10/32.8
	≥15K - <24K	30/98.4	20/65.6
	≥24K - <36K	50/164	25/82
	≥36K - ≤60K	75/246	30/98.4
Other Split Type	12K	15/49	8/26
	18K-24K	25/82	15/49
	30K-36K	30/98.4	20/65.6
	42K-60K	50/164	30/98.4

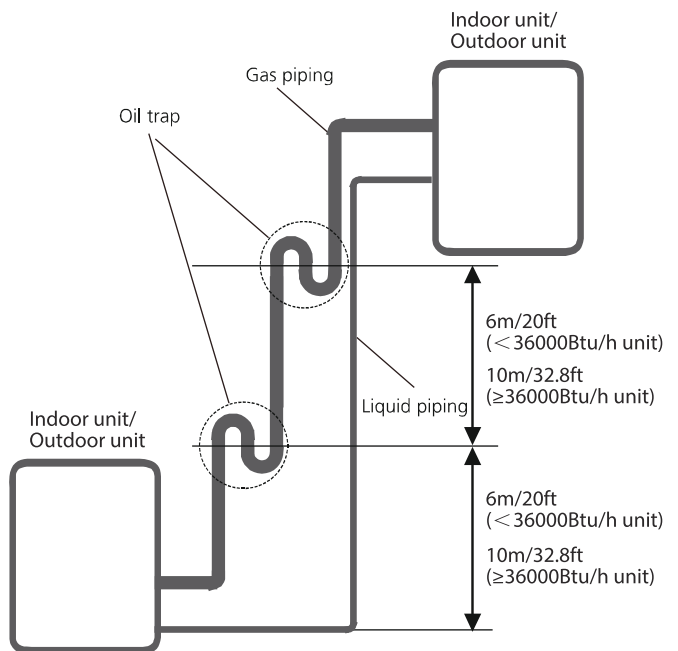
⚠ CAUTION

Oil traps

If oil flows back into the outdoor unit's compressor, this might cause liquid compression or deterioration of oil return. Oil traps in the rising gas piping can prevent this.

An oil trap should be installed every 6m(20ft) of vertical suction line riser (< 36000Btu/h unit).

An oil trap should be installed every 10m(32.8ft) of vertical suction line riser (≥36000Btu/h unit).



Connection Instructions – Refrigerant Piping

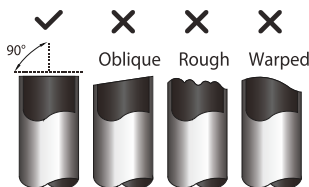
CAUTION

- The branching pipe must be installed horizontally. An angle of more than 10° may cause malfunction.
- **DO NOT** install the connecting pipe until both indoor and outdoor units have been installed.
- Insulate both the gas and liquid piping to prevent water leakage.

Step 1: Cut pipes

When preparing refrigerant pipes, take extra care to cut and flare them properly. This will ensure efficient operation and minimize the need for future maintenance.

1. Measure the distance between the indoor and outdoor units.
2. Using a pipe cutter, cut the pipe a little longer than the measured distance.
3. Make sure that the pipe is cut at a perfect 90° angle.



DO NOT DEFORM PIPE WHILE CUTTING

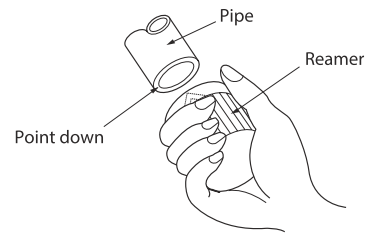
Be extra careful not to damage, dent, or deform the pipe while cutting. This will drastically reduce the heating efficiency of the unit.

Step 2: Remove burrs.

Burrs can affect the air-tight seal of refrigerant piping connection. They must be completely removed.

1. Hold the pipe at a downward angle to prevent burrs from falling into the pipe.

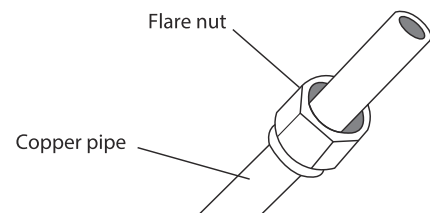
2. Using a reamer or deburring tool, remove all burrs from the cut section of the pipe.



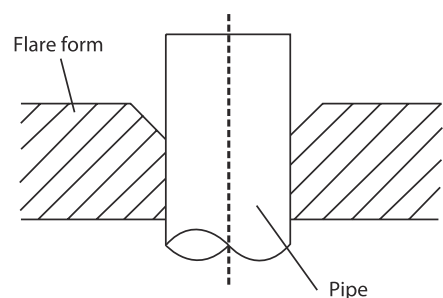
Step 3: Flare pipe ends

Proper flaring is essential to achieve an airtight seal.

1. After removing burrs from cut pipe, seal the ends with PVC tape to prevent foreign materials from entering the pipe.
2. Sheath the pipe with insulating material.
3. Place flare nuts on both ends of pipe. Make sure they are facing in the right direction, because you can't put them on or change their direction after flaring.



4. Remove PVC tape from ends of pipe when ready to perform flaring work.
5. Clamp flare form on the end of the pipe. The end of the pipe must extend beyond the flare form.



6. Place flaring tool onto the form.
7. Turn the handle of the flaring tool clockwise until the pipe is fully flared. Flare the pipe in accordance with the dimensions.

PIPING EXTENSION BEYOND FLARE FORM

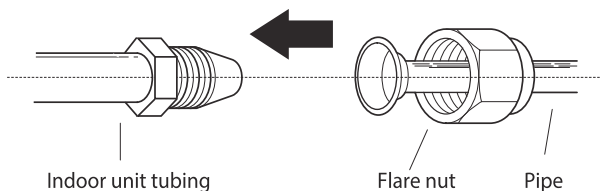
Pipe gauge	Tightening torque	Flare dimension (A) (Unit: mm/Inch)		Flare shape
		Min.	Max.	
Ø 6.35 (Ø 1/4")	18-20 N.m (180-200kgf.cm)	8.4/0.33	8.7/0.34	
Ø 9.52 (Ø 3/8")	32-39 N.m (320-390kgf.cm)	13.2/0.52	13.5/0.53	
Ø 12.7 (Ø 1/2")	49-59 N.m (490-590kgf.cm)	16.2/0.64	16.5/0.65	
Ø 16 (Ø 5/8")	57-71 N.m (570-710kgf.cm)	19.2/0.76	19.7/0.78	
Ø 19 (Ø 3/4")	67-101 N.m (670-1010kgf.cm)	23.2/0.91	23.7/0.93	
Ø 22 (Ø 7/8")	85-110 N.m (850-1100kgf.cm)	26.4/1.04	26.9/1.06	

- Remove the flaring tool and flare form, then inspect the end of the pipe for cracks and even flaring.

Step 4: Connect pipes

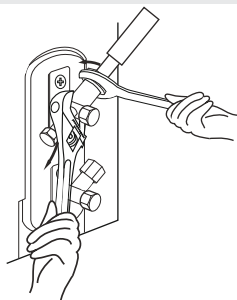
Connect the copper pipes to the indoor unit first, then connect it to the outdoor unit. You should first connect the low-pressure pipe, then the high-pressure pipe.

- When connecting the flare nuts, apply a thin coat of refrigeration oil to the flared ends of the pipes.
- Align the center of the two pipes that you will connect.



- Tighten the flare nut as tightly as possible by hand.
- Using a spanner, grip the nut on the unit tubing.
- While firmly gripping the nut, use a torque wrench to tighten the flare nut according to the torque values in above table.

NOTE: Use both a spanner and a torque wrench when connecting or disconnecting pipes to/from the unit.



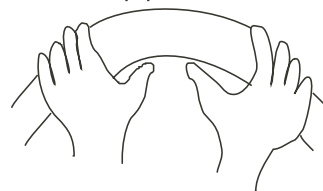
CAUTION

- Ensure to wrap insulation around the piping. Direct contact with the bare piping may result in burns or frostbite.
- Make sure the pipe is properly connected. Over tightening may damage the bell mouth and under tightening may lead to leakage.

NOTE ON MINIMUM BEND RADIUS

Carefully bend the tubing in the middle according to the diagram below. **DO NOT** bend the tubing more than 90° or more than 3 times.

Bend the pipe with thumb



min-radius 10cm (3.9")

- After connecting the copper pipes to the indoor unit, wrap the power cable, signal cable and the piping together with binding tape.

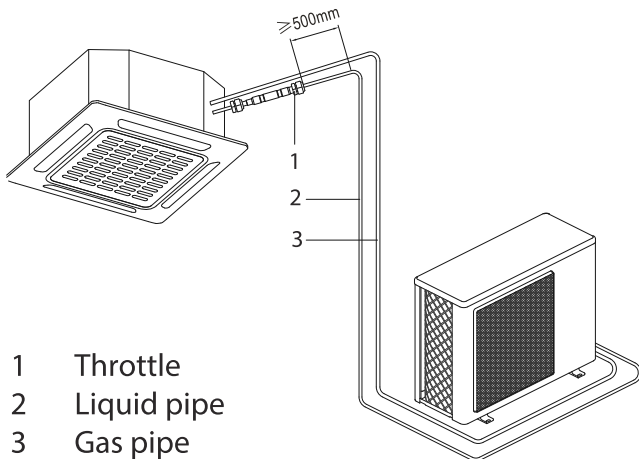
NOTE: DO NOT intertwine signal cable with other wires. While bundling these items together, do not intertwine or cross the signal cable with any other wiring.

- Thread this pipeline through the wall and connect it to the outdoor unit.
- Insulate all the piping, including the valves of the outdoor unit.
- Open the stop valves of the outdoor unit to start the flow of the refrigerant between the indoor and outdoor unit.

CAUTION

Check to make sure there is no refrigerant leak after completing the installation work. If there is a refrigerant leak, ventilate the area immediately and evacuate the system (refer to the Air Evacuation section of this manual).

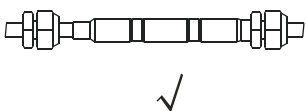
Installation Of The Throttle. (Some Models)



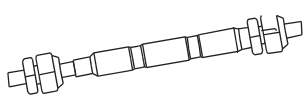
- 1 Throttle
- 2 Liquid pipe
- 3 Gas pipe

Precautions

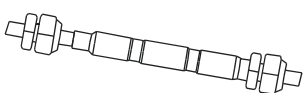
- For ensuring throttled efficiency, please mount the throttle as horizontally as possible.

Indoor  Outdoor



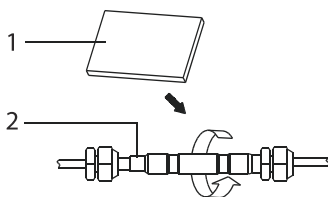
Indoor  Outdoor



Indoor  Outdoor



- Wrap the supplied anti-shock rubber at external of the throttle for denoise.



- 1 Anti-shock rubber
- 2 Throttle

Wiring

! BEFORE PERFORMING ANY ELECTRICAL WORK, READ THESE REGULATIONS

1. All wiring must comply with local and national electrical codes, regulations and must be installed by a licensed electrician.
2. All electrical connections must be made according to the Electrical Connection Diagram located on the panels of the indoor and outdoor units.
3. If there is a serious safety issue with the power supply, stop work immediately. Explain your reasoning to the client, and refuse to install the unit until the safety issue is properly resolved.
4. Power voltage should be within 90-110% of rated voltage. Insufficient power supply can cause malfunction, electrical shock, or fire.
5. If connecting power to fixed wiring, a surgeprotector and main power switch should be installed.
6. If connecting power to fixed wiring, a switch or circuit breaker that disconnects all poles and has a contact separation of at least 1/8in (3mm) must be incorporated in the fixed wiring. The qualified technician must use an approved circuit breaker or switch.
7. Only connect the unit to an individual branch circuit outlet. Do not connect another appliance to that outlet.
8. Make sure to properly ground the air conditioner.
9. Every wire must be firmly connected. Loose wiring can cause the terminal to overheat, resulting in product malfunction and possible fire.
10. Do not let wires touch or rest against refrigerant tubing, the compressor, or any moving parts within the unit.
11. If the unit has an auxiliary electric heater, it must be installed at least 1 meter (40in) away from any combustible materials.
12. To avoid getting an electric shock, never touch the electrical components soon after the power supply has been turned off. After turning off the power, always wait 10 minutes or more before you touch the electrical components.

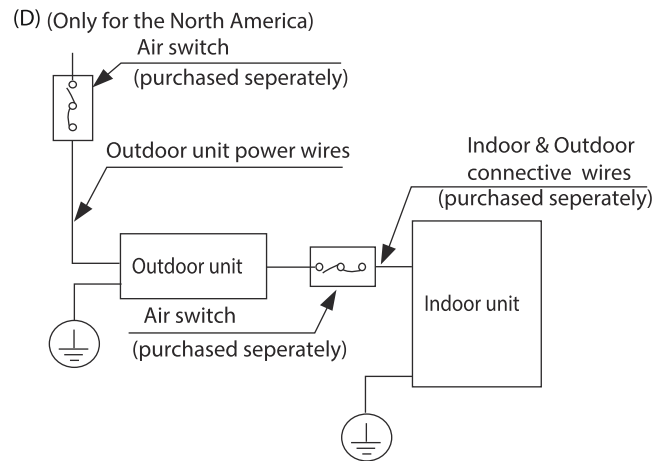
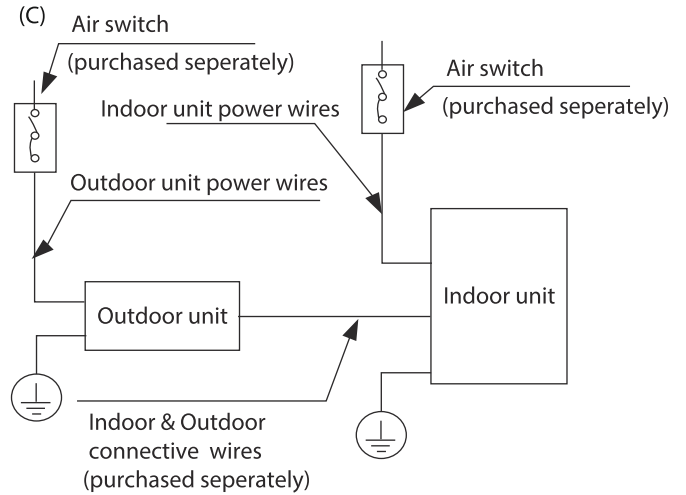
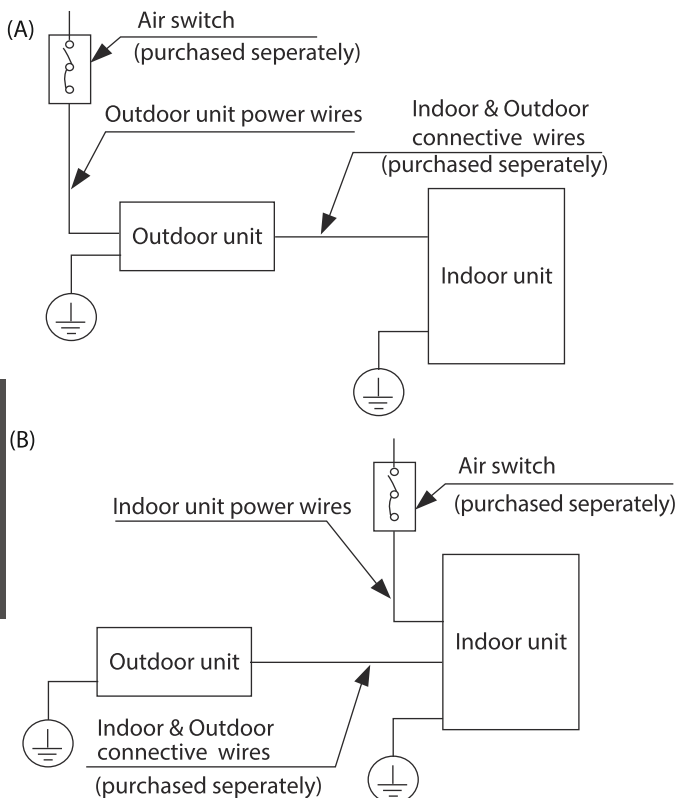
13. Make sure that you do not cross your electrical wiring with your signal wiring. This may cause distortion and interference.
14. The unit must be connected to the main outlet. Normally, the power supply must have a impedance of 32 ohms.
15. No other equipment should be connected to the same power circuit.
16. Connect the outdoor wires before connecting the indoor wires.

WARNING

BEFORE PERFORMING ANY ELECTRICAL OR WIRING WORK, TURN OFF THE MAIN POWER TO THE SYSTEM.

NOTE ON AIR SWITCH

When the maximum current of the air conditioner is more than 16A, an air switch or leakage protection switch with protective device shall be used (purchased seperately) . When the maximum current of the air conditioner is less than 16A, the power cord of air conditioner shall be equipped with plug (purchased seperately) . In North America, the appliance should be wired according to NEC and CEC requirements.



NOTE: The cographs are for explanation purpose only. Your machine may be slightly different. The actual shape shall prevail.

Outdoor Unit Wiring

WARNING

Before performing any electrical or wiring work, turn off the main power to the system.

1. Prepare the cable for connection
 - a. You must first choose the right cable size. Be sure to use H07RN-F cables.

NOTE: In North America, choose the cable type according to the local electrical codes and regulations.

Minimum Cross-Sectional Area of Power and Signal Cables (For reference)

Rated Current of Appliance (A)	Nominal Cross-Sectional Area (mm ²)
> 3 and ≤ 6	0.75
> 6 and ≤ 10	1
> 10 and ≤ 16	1.5
> 16 and ≤ 25	2.5
> 25 and ≤ 32	4
> 32 and ≤ 40	6

CHOOSE THE RIGHT CABLE SIZE

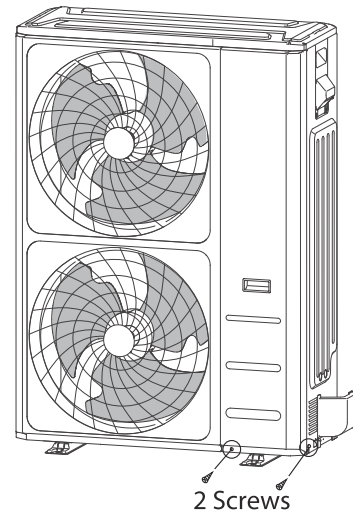
The size of the power supply cable, signal cable, fuse, and switch needed is determined by the maximum current of the unit. The maximum current is indicated on the nameplate located on the side panel of the unit. Refer to this nameplate to choose the right cable, fuse, or switch.

NOTE: In North America, please choose the right cable size according to the Minimum Circuit Ampacity indicated on the nameplate of the unit.

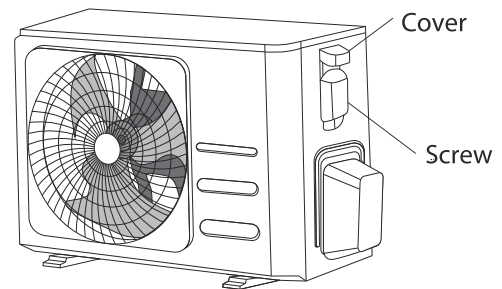
- Using wire strippers, strip the rubber jacket from both ends of the signal cable to reveal approximately 15cm (5.9") of wire.
- Strip the insulation from the ends.
- Using a wire crimper, crimp u-lugs on the ends.

NOTE: When connecting the wires, strictly follow the wiring diagram found inside the electrical box cover.

- Remove the 2 screws fixed on the front panel and side panel, then take it down to perform wire connection (see the figure of outdoor unit A).
Unscrew the electrical wiring cover and remove it. (see the figure of outdoor unit B)



Outdoor Unit A



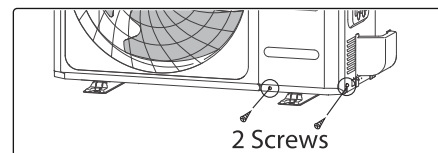
Outdoor Unit B

- Connect the u-lugs to the terminals. Match the wire colors/labels with the labels on the terminal block. Firmly screw the u-lug of each wire to its corresponding terminal.
- Clamp down the cable with the cable clamp.
- Insulate unused wires with electrical tape. Keep them away from any electrical or metal parts.
- Reinstall the cover of the electric control box.

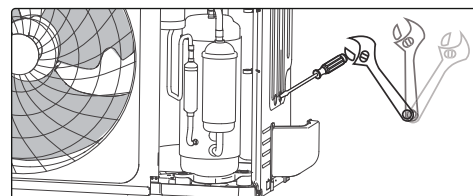
Australia models

Please prepare spanner and flat-blade screwdriver before your installation work.

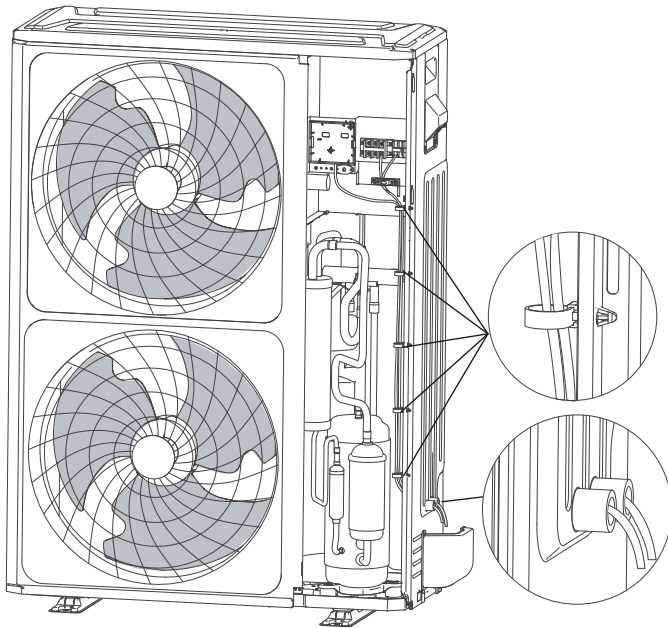
- Remove two fixing screws, then remove the front panel.



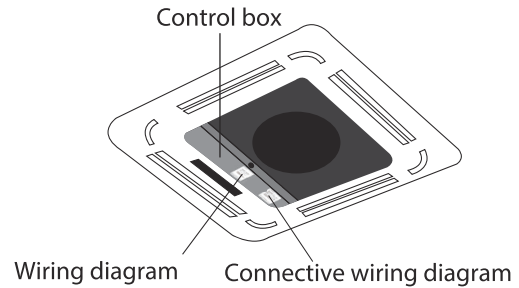
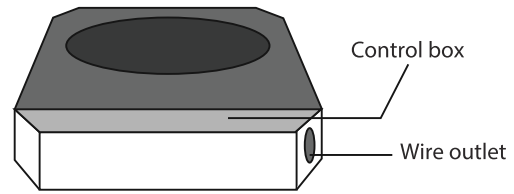
- Use spanner and flat-blade screwdriver to knock down two metal seals, then pick the metal flakes out.



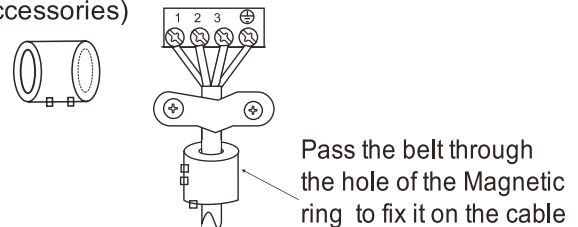
3. Connect the power cable and indoor & outdoor connection cable. Clamp down the cable with the cable clamp.
4. The wire groups shall be bound with cable ties and fixed on the right side plate after they are connected. The strong electric wire group and weak electric wire group shall be led out separately through the two knock down holes on the bottom of the right side plate and fastened with a locking connector as shown in the figure below.



Super-Slim models

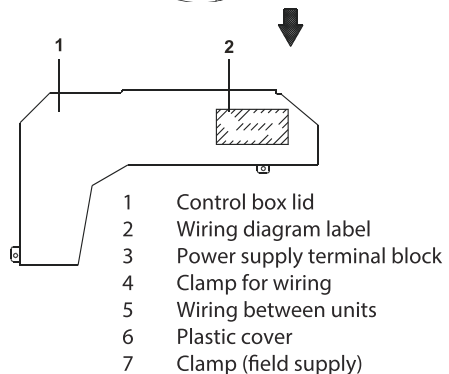
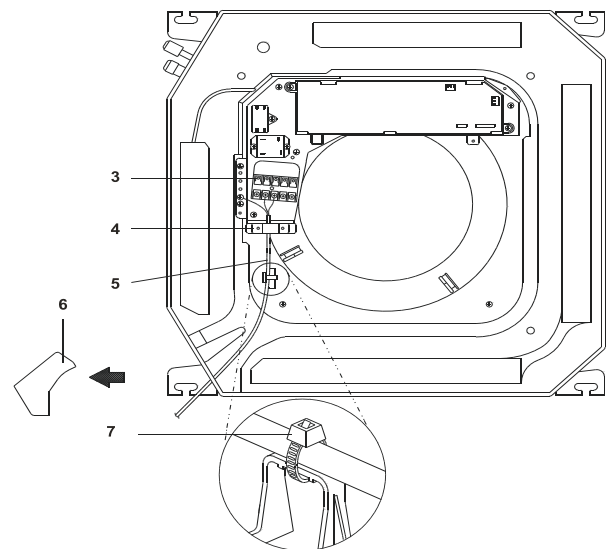


Magnetic ring (if supplied and packed with the accessories)



NOTE: The actual shape of your unit may be slightly different. The actual shape shall prevail.

Compact models



Indoor Unit Wiring

1. Prepare the cable for connection
 - a. Using wire strippers, strip the rubber jacket from both ends of the signal cable to reveal about 15cm (5.9") of the wire.
 - b. Strip the insulation from the ends of the wires.
 - c. Using a wire crimper, crimp the u-lugs to the ends of the wires.
2. Open the front panel of the indoor unit. Using a screwdriver, remove the cover of the electric control box on your indoor unit.
3. Thread the power cable and the signal cable through the wire outlet.
4. Connect the u-lugs to the terminals. Match the wire colors/labels with the labels on the terminal block. Firmly screw the u-lug of each wire to its corresponding terminal. Refer to the Serial Number and Wiring Diagram located on the cover of the electric control box.

CAUTION

- While connecting the wires, please strictly follow the wiring diagram.
- The refrigerant circuit can become very hot. Keep the interconnection cable away from the copper tube.

5. Clamp down the cable with the cable clamp. The cable must not be loose or pull on the u-lugs.

6. Reattach the electric box cover.

Power Specifications (Not applicable for North America)

NOTE: Electric auxiliary heating type circuit breaker/fuse need to add more than 10 A.

NOTE: The circuit breaker/fuse specification shall be subject to the unit nameplate.
(applicable for Australian model)

Indoor Power Supply Specifications

MODEL(Btu/h)		≤18K	19K~24K	25K~36K	37K~48K	49K~60K
POWER	PHASE	1 Phase	1 Phase	1 Phase	1 Phase	1 Phase
	VOLT	208-240V	208-240V	208-240V	208-240V	208-240V
CIRCUIT BREAKER/ FUSE(A)		25/20	32/25	50/40	70/55	70/60

MODEL(Btu/h)		≤36K	37K~60K	≤36K	37K~60K
POWER	PHASE	3 Phase	3 Phase	3 Phase	3 Phase
	VOLT	380-420V	380-420V	208-240V	208-240V
CIRCUIT BREAKER/FUSE(A)		25/20	32/25	32/25	45/35

Outdoor Power Supply Specifications

MODEL(Btu/h)		≤18K	19K~24K	25K~36K	37K~48K	49K~60K
POWER	PHASE	1 Phase	1 Phase	1 Phase	1 Phase	1 Phase
	VOLT	208-240V	208-240V	208-240V	208-240V	208-240V
CIRCUIT BREAKER/ FUSE(A)		25/20	32/25	50/40	70/55	70/60

MODEL(Btu/h)		≤36K	37K~60K	≤36K	37K~60K
POWER	PHASE	3 Phase	3 Phase	3 Phase	3 Phase
	VOLT	380-420V	380-420V	208-240V	208-240V
CIRCUIT BREAKER/FUSE(A)		25/20	32/25	32/25	45/35

Independent Power Supply Specifications

MODEL(Btu/h)		≤18K	19K~24K	25K~36K	37K~48K	49K~60K
POWER (indoor)	PHASE	1 Phase	1 Phase	1 Phase	1 Phase	1 Phase
	VOLT	208-240V	208-240V	208-240V	208-240V	208-240V
CIRCUIT BREAKER/FUSE(A)		15/10	15/10	15/10	15/10	15/10
POWER (outdoor)	PHASE	1 Phase	1 Phase	1 Phase	1 Phase	1 Phase
	VOLT	208-240V	208-240V	208-240V	208-240V	208-240V
CIRCUIT BREAKER/FUSE(A)		25/20	32/25	50/40	70/55	70/60

MODEL(Btu/h)		≤36K	37K~60K	≤36K	37K~60K
POWER (indoor)	PHASE	1 Phase	1 Phase	1 Phase	1 Phase
	VOLT	208-240V	208-240V	208-240V	208-240V
CIRCUIT BREAKER/FUSE(A)		15/10	15/10	15/10	15/10
POWER (outdoor)	PHASE	3 Phase	3 Phase	3 Phase	3 Phase
	VOLT	380-420V	380-420V	208-240V	208-240V
CIRCUIT BREAKER/FUSE(A)		25/20	32/25	32/25	45/35

Inverter Type A/C Power Specifications

MODEL(Btu/h)		≤18K	19K~24K	25K~36K	37K~48K	49K~60K
POWER (indoor)	PHASE	1 Phase	1 Phase	1 Phase	1 Phase	1 Phase
	VOLT	220-240V	220-240V	220-240V	220-240V	220-240V
CIRCUIT BREAKER/FUSE(A)		15/10	15/10	15/10	15/10	15/10
POWER (outdoor)	PHASE	1 Phase	1 Phase	1 Phase	1 Phase	1 Phase
	VOLT	208-240V	208-240V	208-240V	208-240V	208-240V
CIRCUIT BREAKER/FUSE(A)		25/20	25/20	40/30	50/40	50/40

MODEL(Btu/h)		≤36K	37K~60K	≤36K	37K~60K
POWER (indoor)	PHASE	1 Phase	1 Phase	1 Phase	1 Phase
	VOLT	220-240V	220-240V	220-240V	220-240V
CIRCUIT BREAKER/FUSE(A)		15/10	15/10	15/10	15/10
POWER (outdoor)	PHASE	3 Phase	3 Phase	3 Phase	3 Phase
	VOLT	380-420V	380-420V	208-240V	208-240V
CIRCUIT BREAKER/FUSE(A)		25/20	32/25	32/25	40/30

Air Evacuation

Preparations and Precautions

Air and foreign matter in the refrigerant circuit can cause abnormal rises in pressure, which can damage the air conditioner, reduce its efficiency, and cause injury. Use a vacuum pump and manifold gauge to evacuate the refrigerant circuit, removing any non-condensable gas and moisture from the system.

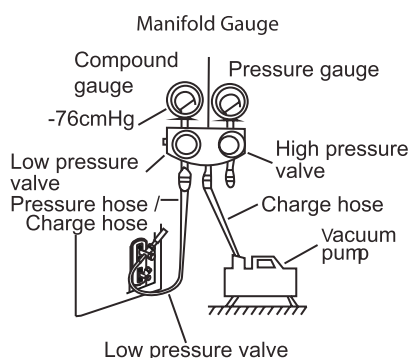
Evacuation should be performed upon initial installation and when unit is relocated.

BEFORE PERFORMING EVACUATION

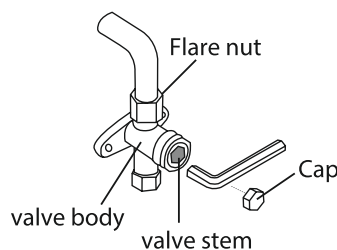
- ☑ Check to make sure the connective pipes between the indoor and outdoor units are connected properly.
- ☑ Check to make sure all wiring is connected properly.

Evacuation Instructions

1. Connect the charge hose of the manifold gauge to service port on the outdoor unit's low pressure valve.
2. Connect another charge hose from the manifold gauge to the vacuum pump.
3. Open the Low Pressure side of the manifold gauge. Keep the High Pressure side closed.
4. Turn on the vacuum pump to evacuate the system.
5. Run the vacuum for at least 15 minutes, or until the Compound Meter reads -76cmHG (-10⁵Pa).



6. Close the Low Pressure side of the manifold gauge, and turn off the vacuum pump.
7. Wait for 5 minutes, then check that there has been no change in system pressure.
8. If there is a change in system pressure, refer to Gas Leak Check section for information on how to check for leaks. If there is no change in system pressure, unscrew the cap from the packed valve (high pressure valve).
9. Insert hexagonal wrench into the packed valve (high pressure valve) and open the valve by turning the wrench in a 1/4 counterclockwise turn. Listen for gas to exit the system, then close the valve after 5 seconds.
10. Watch the Pressure Gauge for one minute to make sure that there is no change in pressure. The Pressure Gauge should read slightly higher than atmospheric pressure.
11. Remove the charge hose from the service port.



12. Using hexagonal wrench, fully open both the high pressure and low pressure valves.
13. Tighten valve caps on all three valves (service port, high pressure, low pressure) by hand. You may tighten it further using a torque wrench if needed.

! OPEN VALVE STEMS GENTLY

When opening valve stems, turn the hexagonal wrench until it hits against the stopper. Do not try to force the valve to open further.

Note on Adding Refrigerant

Some systems require additional charging depending on pipe lengths. The standard pipe length varies according to local regulations. For example, in North America, the standard pipe length is 7.5m (25'). In other areas, the standard pipe length is 5m (16'). The refrigerant should be charged from the service port on the outdoor unit's low pressure valve. The additional refrigerant to be charged can be calculated using the following formula:

Liquid Side Diameter

	φ6.35(1/4")	φ9.52(3/8")	φ12.7(1/2")
R22 (orifice tube in the indoor unit):	(Total pipe length - standard pipe length) x 30g (0.32oz)/m(ft)	(Total pipe length - standard pipe length) x 65g(0.69oz)/m(ft)	(Total pipe length - standard pipe length) x 115g(1.23oz)/m(ft)
R22 (orifice tube in the outdoor unit):	(Total pipe length - standard pipe length) x 15g(0.16oz)/m(ft)	(Total pipe length - standard pipe length) x 30(0.32oz)/m(ft)	(Total pipe length - standard pipe length) x 60g(0.64oz)/m(ft)
R410A: (orifice tube in the indoor unit):	(Total pipe length - standard pipe length) x 30g(0.32oz)/m(ft)	(Total pipe length - standard pipe length) x 65g(0.69oz)/m(ft)	(Total pipe length - standard pipe length) x 115g(1.23oz)/m(ft)
R410A: (orifice tube in the outdoor unit):	(Total pipe length - standard pipe length) x 15g(0.16oz)/m(ft)	(Total pipe length - standard pipe length) x 30g(0.32oz)/m(ft)	(Total pipe length - standard pipe length) x 65g(0.69oz)/m(ft)
R32 :	(Total pipe length - standard pipe length) x 12g(0.13oz)/m(ft)	(Total pipe length - standard pipe length) x 24g(0.26oz)/m(ft)	(Total pipe length - standard pipe length) x 40g(0.42oz)/m(ft)

 **CAUTION** DO NOT mix refrigerant types.

Panel Installation

CAUTION

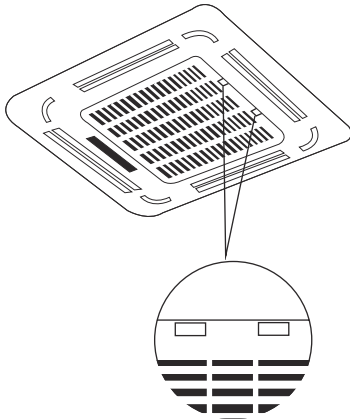
DO NOT place the panel facedown on the floor, against a wall, or on uneven surfaces.

(A)

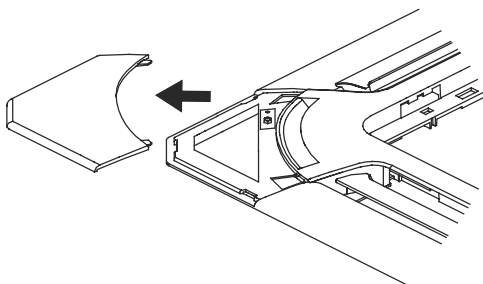
Super-Slim models

Step 1: Remove the front grille.

1. Push both of the tabs towards the middle simultaneously to unlock the hook on the grille.
2. Hold the grille at a 45° angle, lift it up slightly and detach it from the main body.



Step 2: Remove the installation covers at the four corners by sliding them outwards.

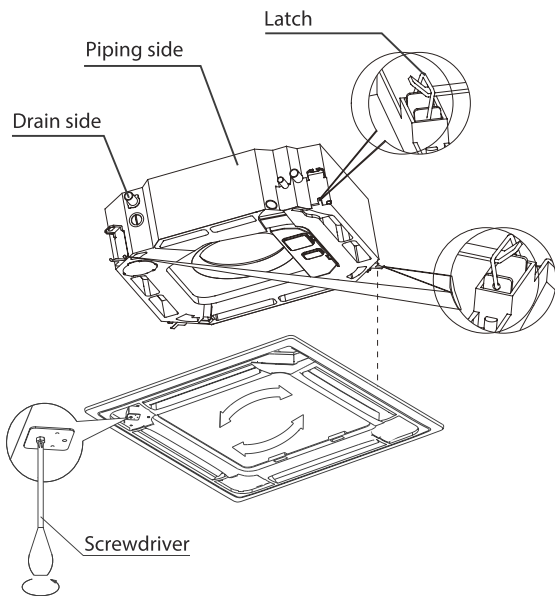


Step 3: Install the panel

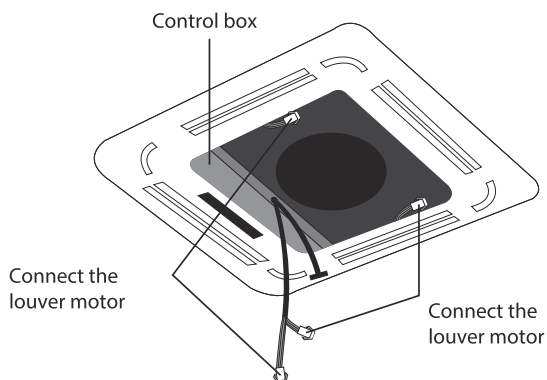
Align the front panel to the main body, taking into account the position of the piping and drain sides. Hang the four latches of the decorative panel to the hooks of the indoor unit. Tighten the panel hook screws evenly at the four corners.

NOTE: Tighten the screws until the thickness of the sponge between the main body and the panel reduces to 4-6mm (0.2-0.3"). The edge of the panel should be in contact with the ceiling well.

Adjust the panel by turning it to the arrowed direction so that the ceiling opening is completely covered.

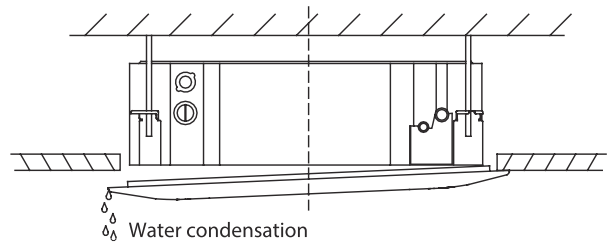


1. Connect the two louver motor connectors to the corresponding wires in the control box.



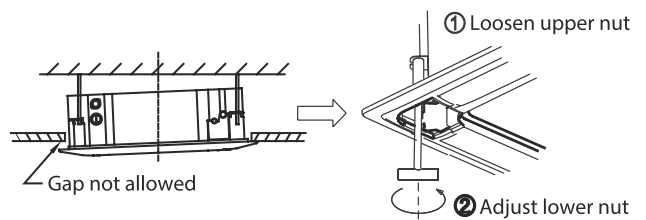
2. Remove foam stops from inside the fan.
3. Attach the side of the front grille to the panel.
4. Connect the display panel cable to the corresponding wire on the main body.
5. Close the front grille.
6. Fasten the installation covers at all four corners by pushing them inwards.

NOTE: If the height of the indoor unit needs to be adjusted, you can do so through the openings at the panel's four corners. Make sure that the internal wiring and drainpipe are not affected by this adjustment.



! CAUTION

Failure to tighten screws can cause water leakage.



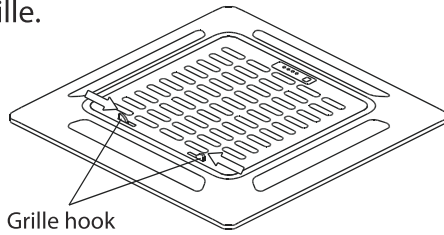
! CAUTION

If the unit is not hung correctly and a gap exists, the unit's height must be adjusted to ensure proper function. The unit's height can be adjusted by loosening the upper nut, and adjusting the lower nut.

Compact models

Step 1: Remove the front grille.

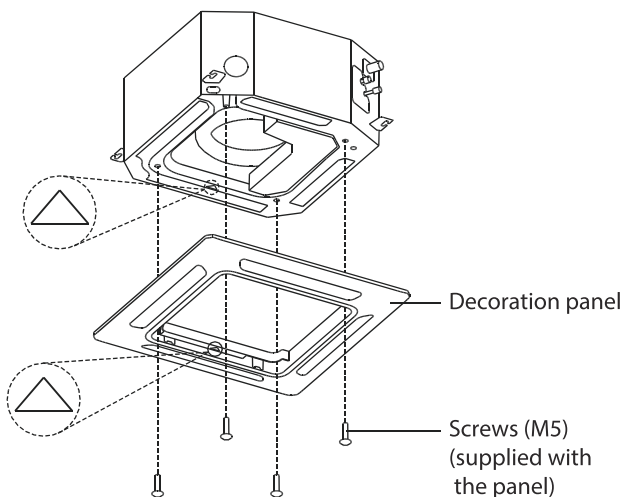
1. Push both of the tabs towards the middle simultaneously to unlock the hook on the grille.



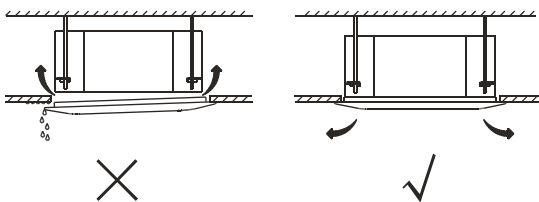
2. Hold the grille at a 45° angle, lift it up slightly and detach it from the main body.

Step 2: Install the panel

Align the indicate "△" on the decoration panel to the indicate "△" on the unit . Attach the decoration panel to the unit with the supplied screws as shown in figure below.

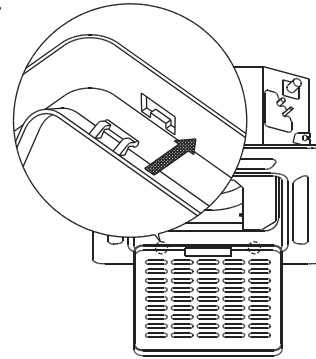


After installing the decoration panel, ensure that there is no space between the unit body and decoration panel. Otherwise air may leak through the gap and cause dewdrop. (See figure below)

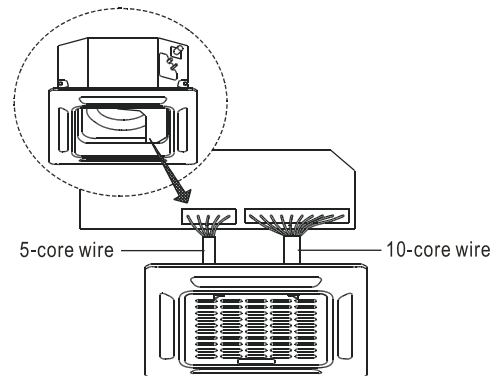


Step 3: Mount the intake grille.

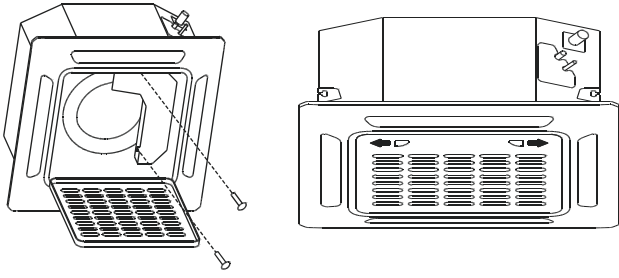
Ensure that the buckles at the back of the grille be properly seated in the groove of the panel.



Step 4: Connect the 2 wires of the decoration panel to the mainboard of the unit.



Step 5: Fasten the control box lid with 2 screws .

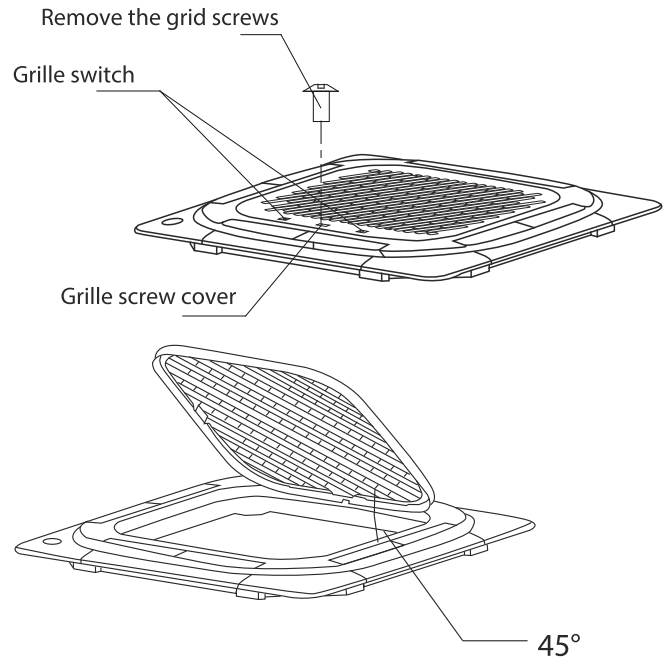


Step 6: Close the intake grille, and close the 2 grille hooks.

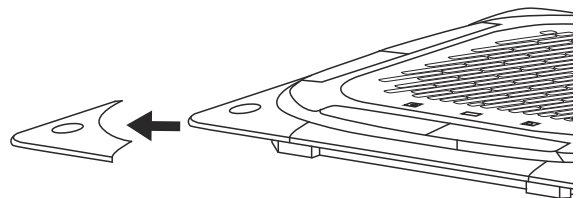
(B)

Step 1: Remove the front grille.

1. Push both of the tabs towards the middle simultaneously to unlock the hook on the grille.
2. Hold the grille at a 45° angle, lift it up slightly and detach it from the main body.



Step 2: Remove the installation covers at the four corners by sliding them outwards.

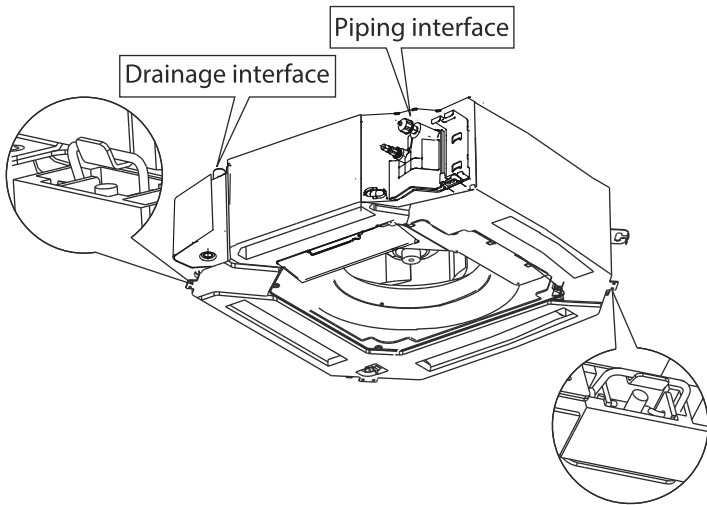


Step 3: Install the panel

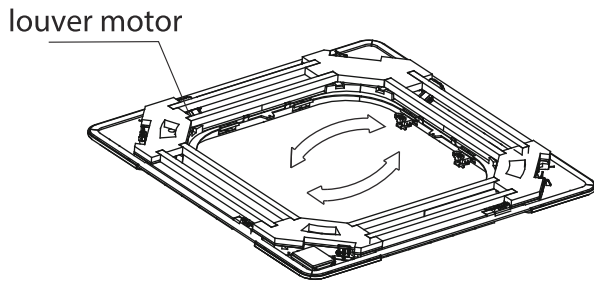
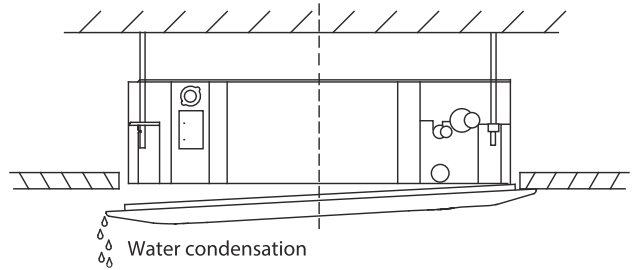
Align the front panel to the main body, taking into account the position of the piping and drain sides. Hang the four latches of the decorative panel to the hooks of the indoor unit. Tighten the panel hook screws evenly at the four corners.

NOTE: Tighten the screws until the thickness of the sponge between the main body and the panel reduces to 4-6mm (0.2-0.3"). The edge of the panel should be in contact with the ceiling well.

Adjust the panel by turning it to the arrowed direction so that the ceiling opening is completely covered.

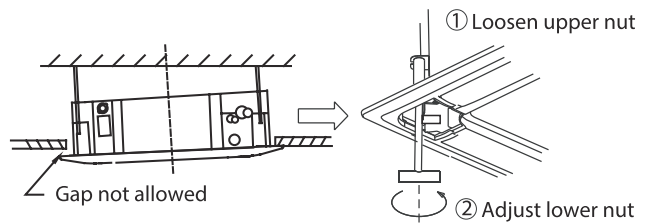


NOTE: If the height of the indoor unit needs to be adjusted, you can do so through the openings at the panel's four corners. Make sure that the internal wiring and drainpipe are not affected by this adjustment.



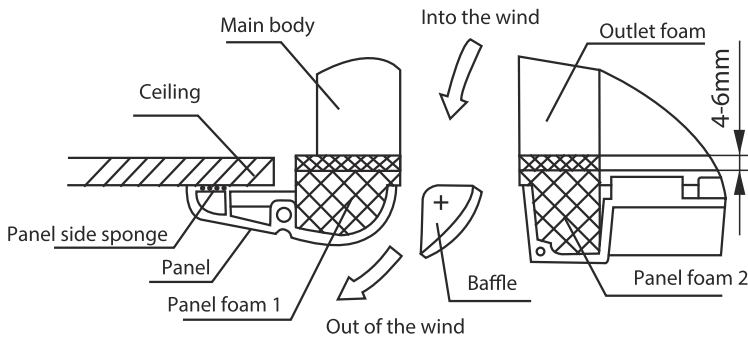
CAUTION

Failure to tighten screws can cause water leakage.

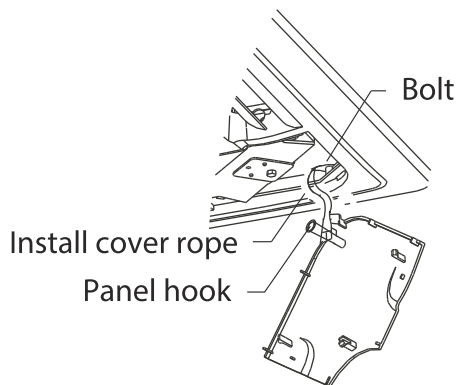


CAUTION

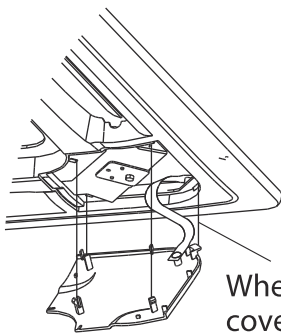
If the unit is not hung correctly and a gap exists, the unit's height must be adjusted to ensure proper function. The unit's height can be adjusted by loosening the upper nut, and adjusting the lower nut.



Hang the intake grille on the panel, and then connect the lead connectors of the louver motor and the control box on the panel to the corresponding connectors of the main body.



Re-installed into the style grid.
Reinstall the installation cover.
Fix the installation cover plate rope to the pillar of the installation cover plate, and gently press the installation cover plate into the panel.



When installing the cover, slide the four slide fasteners into the corresponding slots on the panel.

NOTE: After installation, the butt plugs of display, swing, water pump and other wire bodies must be placed in the electric control box.

Test Run

Before Test Run

A test run must be performed after the entire system has been completely installed. Confirm the following points before performing the test:

- a) Indoor and outdoor units are properly installed.
- b) Piping and wiring are properly connected.
- c) No obstacles near the inlet and outlet of the unit that might cause poor performance or product malfunction.
- d) Refrigeration system does not leak.
- e) Drainage system is unimpeded and draining to a safe location.
- f) Heating insulation is properly installed.
- g) Grounding wires are properly connected.
- h) Length of the piping and additional refrigerant stow capacity have been recorded.
- i) Power voltage is the correct voltage for the air conditioner.



CAUTION

Failure to perform the test run may result in unit damage, property damage, or personal injury.

Test Run Instructions

1. Open both the liquid and gas stop valves.
2. Turn on the main power switch and allow the unit to warm up.
3. Set the air conditioner to COOL mode.
4. For the Indoor Unit
 - a. Ensure the remote control and its buttons work properly.
 - b. Ensure the louvers move properly and can be changed using the remote control.
 - c. Double check to see if the room temperature is being registered correctly.
 - d. Ensure the indicators on the remote control and the display panel on the indoor unit work properly.
 - e. Ensure the manual buttons on the indoor unit works properly.

- f. Check to see that the drainage system is unimpeded and draining smoothly.
 - g. Ensure there is no vibration or abnormal noise during operation.
5. For the Outdoor Unit
 - a. Check to see if the refrigeration system is leaking.
 - b. Make sure there is no vibration or abnormal noise during operation.
 - c. Ensure the wind, noise, and water generated by the unit do not disturb your neighbors or pose a safety hazard.
 6. Drainage Test
 - a. Ensure the drainpipe flows smoothly. New buildings should perform this test before finishing the ceiling.
 - b. Remove the test cover. Add 2,000ml of water to the tank through the attached tube.
 - c. Turn on the main power switch and run the air conditioner in COOL mode.
 - d. Listen to the sound of the drain pump to see if it makes any unusual noises.
 - e. Check to see that the water is discharged. It may take up to one minute before the unit begins to drain depending on the drainpipe.
 - f. Make sure that there are no leaks in any of the piping.
 - g. Stop the air conditioner. Turn off the main power switch and reinstall the test cover.

NOTE: If the unit malfunctions or does not operate according to your expectations, please refer to the Troubleshooting section of the Owner's Manual before calling customer service.

Packing and unpacking the unit

Instructions for packing unpacking the unit:

Unpacking:

Indoor unit:

1. Cut the packing belt.
2. Unpack the package.
3. Take out the packing cushion and packing support.
4. Remove the packing film.
5. Take out the accessories.
6. Lift the machine out and lay it flat.

Outdoor Unit

1. Cut the packing belt.
2. Take the unit out of the package.
3. Remove the foam from the unit.
4. Remove the packing film from the unit.

Packing:

Indoor unit:

1. Put the indoor unit into the packing film.
2. Put the accessories in.
3. Place the packing cushion and packing support.
4. Put the indoor unit into the package.
5. Close the package and seal it.
6. Using the packing belt if necessary.

Outdoor unit:

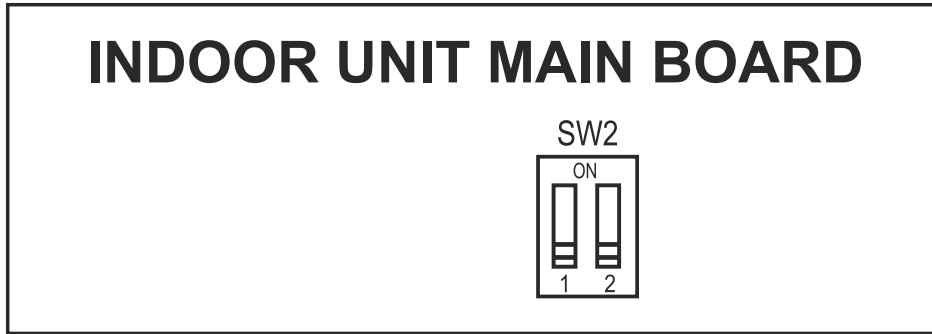
1. Put the outdoor unit into the packing film.
2. Put the bottom foam into the box.
3. Put the outdoor unit into the package, then put the upper packaging foam on the unit.
4. Close the package and seal it.
5. Using the packing belt if necessary.

NOTE: Please keep all packaging items if you may need in the future.

Breezeless function of dip switch.

NTOE: This feature is only available under cool mode.

This feature is for some models.



SW2 has 2 dip switches: SW2-1 and SW2-2

SW2-2 is to control the breezeless function.

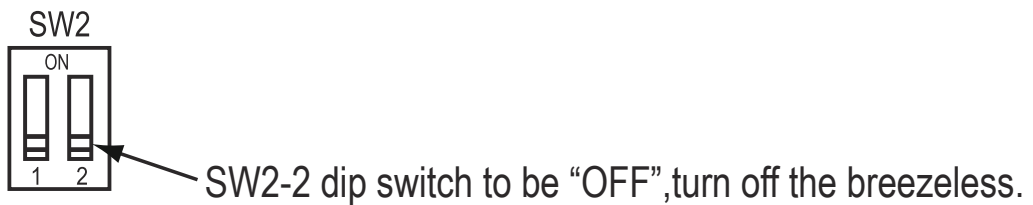
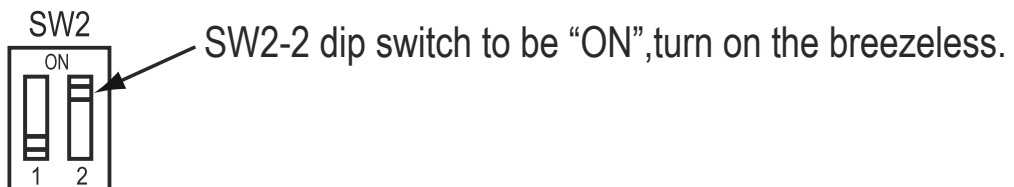
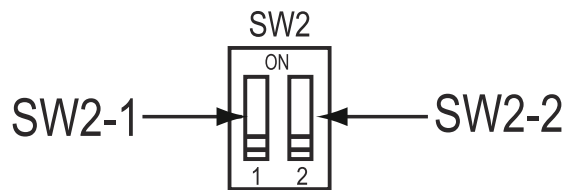


Tabla de Contenidos

Precauciones de Seguridad.....	04
---------------------------------------	-----------

Manual del Propietario

Especificaciones y Características de la Unidad	08
1. Pantalla de la unidad interna.....	08
2. Temperatura de operación	10
3. Otras características	11
Cuidado y Mantenimiento.....	12
Solución de Problemas.....	14

Manual de Instalación

Accesorios	17
Resumen de la Instalación	18
Partes de la Unidad	19
Instalación de la Unidad Interna	21
1. Seleccione el lugar de la instalación	21
2. Colgado de la unidad interna	23
3. Taladrado de agujero en pared para la tubería de conexión	25
4. Conexión de la manguera de drenado	26
Instalación de la Unidad Externa	28
1. Seleccione el lugar de la instalación.....	28
2. Instalación de la unión de drenaje.....	29
3. Anclaje de la unidad externa	29
Conexión de la Tubería del Refrigerante	31
A. AVISO sobre la longitud del tubo	31
B. Instrucciones de conexión: Tubería del refrigerante	32
1. Corte del tubo	32
2. Retiro de rebabas.....	32
3. Puntas ensanchadas del tubo.....	32
4. Conexión de tubos.....	33
C. Instalación del regulador. (Algunos Modelos).....	34
Cableado	35
1. Cableado de la unidad externa.....	36
2. Cableado de la unidad interna.....	37
Evacuación de Aire	40
1. Instrucciones de la evacuación	40
2. Aviso sobre la añadido de refrigerante	41
Instalación del Panel	42
Prueba de funcionamiento	46
Embalaje y desembalaje del dispositivo	47

Precauciones de Seguridad

Leas las precauciones de seguridad antes de realizar la instalación y operar la unidad.

Una instalación incorrecta, por ignorar las instrucciones, puede provocar daños o lesiones serias.

La seriedad del potencial daño o lesión está clasificada como **ADVERTENCIA** o **PRECAUCIÓN**.



ADVERTENCIA

Este símbolo señala la posibilidad de una lesión personal o el riesgo a la vida.



PRECAUCIÓN

Este símbolo señala la posibilidad de daños a la propiedad o consecuencias serias.



ADVERTENCIA

Este electrodoméstico puede ser usado por niños mayores de 8 años, y por personas con capacidades físicas, sensoriales, o mentales reducidas, o con falta de experiencia o conocimiento, siempre y cuando hayan sido supervisados o instruidos en cuando al uso del dispositivo, de manera segura, con el fin de que entiendan los peligros involucrados. Los niños tienen prohibido jugar con este electrodoméstico. La limpieza y el mantenimiento no deben ser realizados por niños sin supervisión (Requisitos Estándar EN).

El uso de este electrodoméstico no está destinado a personas (incluido niños) con capacidades físicas, sensoriales, o mentales reducidas, o con falta de experiencia o conocimiento, a menos que hayan sido supervisados o instruidos en cuando al uso del dispositivo, por parte de la persona responsable por su seguridad. Los niños deben ser supervisados para garantizar que no jueguen con el electrodoméstico.



ADVERTENCIAS SOBRE EL USO DEL PRODUCTO

- Apague la unidad y desconéctela de la corriente de inmediato cuando surja una situación anormal (por ejemplo, cuando olfatea algo quemado). Llame a su vendedor para recibir instrucciones sobre cómo evitar descargas eléctricas, y prevenir incendios y lesiones.
- **No** introduzca sus dedos, varillas, u otros objetos en la entrada o salida de aire. Este puede provocar lesiones, ya que el ventilador puede estar rotando con una velocidad alta.
- **No** utilice aerosoles inflamables, como aerosol para el cabello, barniz, o pintura, cerca de la unidad. Esto puede provocar una combustión o incendio.
- **No** opere el acondicionador de aire en lugares cercanos a gases combustibles. El gas emitido puede acumularse alrededor de la unidad y provocar una explosión.
- **No** opera su acondicionador de aire en habitaciones húmedas, tales como baños o lavaderos. La exposición excesiva al agua puede provocar que los componentes eléctricos entren en cortocircuito.
- **No** exponga su cuerpo de forma directa al aire frío por un tiempo prolongado.
- **No** permita que los niños jueguen con el acondicionador de aire. Los niños deben ser supervisados cuando estén cerca de la unidad en todo momento.
- Si utiliza al acondicionador de aire junto a estufas o otros dispositivos de calefacción, ventile la habitación de forma profunda, para evitar la falta de oxígeno.
- Se recomienda el uso de acondicionadores de aire específicos para lugares tales como cocinas, salas de servidores, etc.

ADVERTENCIAS SOBRE LA LIMPIEZA Y EL MANTENIMIENTO

- Apague el dispositivo y desconecte la alimentación antes de limpiar. De lo contrario, podría causar una descarga eléctrica.
- **No** limpie el acondicionador de aire con demasiada agua.
- **No** limpie el acondicionador de aire con agentes de limpieza a base de combustible. Los agentes de limpieza a base de combustible pueden provocar incendios o deformaciones.



PRECAUCIÓN

- Apague el acondicionador de aire y desconecte la alimentación si no usará el dispositivo por un tiempo prolongado.
- Apague y desconecte la unidad durante tormentas.
- Asegúrese de que la condensación del agua pueda ser drenada de la unidad sin impedimentos.
- **No** opere el acondicionador de aire con manos húmedas. Esto podría provocar una descarga eléctrica.
- **No** use el dispositivo para fines no estipulados.
- **No** se trepe sobre la unidad externa, ni coloque objetos sobre ella.
- **No** deje que el acondicionador de aire funcione por tiempos prolongados con las puertas o ventanas abiertas, o si la humedad es muy alta.



ADVERTENCIAS SOBRE LA ELECTRICIDAD

- Solo utilice el cable de alimentación especificado. El cable de alimentación está dañado, permite que el fabricante, su representante de servicios, o persona calificada lo reemplace, para evitar todo tipo de peligros.
- Mantenga limpio el enchufe. Limpie el polvo y la suciedad que se acumule en el enchufe o alrededor de él. Un enchufe sucio puede provocar incendios o descargas eléctricas.
- **No** tire del cable de alimentación para desenchufar la unidad. Sostenga el enchufe firmemente y tire de él para sacarlo del tomacorriente. Tirar del cable de forma directa puede dañarlo y derivar en incendios o descargas eléctricas.
- **No** modifique la longitud del cable de alimentación, ni uso un prolongador para alimentar la unidad.
- **No** comparta el tomacorriente con otros electrodomésticos. Un suministro eléctrico inapropiado o insuficiente puede provocar incendios o descargas eléctricas.
- El producto debe ser puesto a tierra de forma adecuada al momento de la instalación; de lo contrario, podría ocurrir una descarga eléctrica.
- Respete todos los estándares nacionales de cableado, regulaciones, y este Manual de Instalación, para todo el trabajo eléctrico. Conecte los cables firmemente, y sujételos con una abrazadera para evitar que cualquier fuerza externa dañe la terminal. Las conexiones eléctricas inapropiadas pueden provocar el sobrecalentamiento, incendios, y choques eléctricos. Todas las conexiones eléctricas deben hacerse según el Diagrama de Conexión Eléctrica, la cual se encuentra en los paneles de la unidad interna y la unidad externa.
- Todo el cableado debe hacerse de forma organizada, para permitir el cierre adecuado de la cubierta del tablero de control. Si la cubierta del tablero de control no se cierra de forma adecuado, podría generarse una corrosión que puede derivar en el calentamiento, incendio, de los puntos de conexión de la terminal, o provocar descargas eléctricas.
- Cuando suministre corriente el cableado fijo, necesitará un disyuntor desconectador de todos los polos, con al menos 3mm de separación eléctrica entre cada polo, y una corriente de fuga que puede exceder los 10mA, con el disyuntor diferencial (RCD) con una corriente de operación residual nominal que no excede los 30mA; deberá incorporar la desconexión en el cableado fijo según las normas de cableado.

PRESTE ATENCIÓN A LAS ESPECIFICACIONES DEL FUSIBLE

El circuito impreso (PCB) del acondicionador de aire cuenta con un fusible para su protección contra la sobreintensidad.

Las especificaciones del fusible están impresas en el circuito impreso:

T3,15A/250VAC, T5A/250VAC, etc.

T20A/250VAC(≤ 24000 Btu/h unidades), T30A/250VAC(> 24000 Btu/h unidades)

AVISO: Las unidades con refrigerante R32 o R290, solo se pueden usar fusibles de cerámica a prueba de explosiones.



ADVERTENCIAS SOBRE LA INSTALACIÓN DEL PRODUCTO

1. La instalación debe ser hecha por un vendedor autorizado o un especialista. Una instalación inadecuada puede causar pérdidas de agua, descargas eléctricas, o incendios.
2. La instalación debe hacerse según las instrucciones de instalación. Una instalación inapropiada puede causar pérdidas de agua, descargas eléctricas, o incendios.
(En América del Norte, la instalación debe realizarse según los requisitos del NEC y del CEC, únicamente por parte del personal autorizado.)
3. Póngase en contacto con un técnico autorizado para la reparación y mantenimiento de esta unidad. Este electrodoméstico debe instalarse según las regulaciones nacionales para el cableado.
4. En la instalación, solo utilice los accesorios, partes, y partes específicas incluidas. El uso de partes no estándares puede provocar pérdidas de agua, descargas eléctricas, incendio, y provocar el mal funcionamiento de la unidad.
5. Instale la unidad sobre un lugar firme que puede soportar su peso. Si el lugar elegido no aguanta el peso de esta, o si la instalación no se realizó de forma apropiada, es posible que la unidad se caiga y provoque daños y lesiones serias.
6. Instale la tubería de drenaje según las instrucciones de este manual. El drenaje inapropiado puede provocar que el agua dañe su hogar y sus pertenencias.
7. En cuanto a las unidades que cuentan con un calentador eléctrico auxiliar, **no** las instale dentro de 1 metro (3 pies) de materiales combustibles.
8. **No** instale la unidad en lugares expuestos a pérdidas de gas combustible. Si el gas combustible se acumula alrededor de la unidad, podría provocarse un incendio.
9. No encienda la unidad hasta haber completado la instalación.
10. Cuando mueva el acondicionador de aire, o lo cambio de lugar, consulte con técnicos experimentados sobre la desconexión y reinstalación.
11. Para ver como instalar el dispositivo a su soporte, lea las secciones de "Instalación de la Unidad Interna" e "Instalación de la Unidad Externa".

Aviso sobre los gases fluorados (no aplica a las unidades que usan el refrigerante R290)

1. La unidad de acondicionamiento de aire contiene gases fluorados de efecto invernadero. Para ver la información específica sobre el tipo de gas y cantidades, remítase a la etiqueta pertinente de la unidad, o al "Manual del Propietario: Ficha del Producto", en el paquete de la unidad externa (solo para productos de la Unión Europea).
2. La instalación, servicio, mantenimiento, y reparación de esta unidad deben ser realizadas por un técnico certificado.
3. La desinstalación y el reciclaje del producto solo pueden ser llevados adelante por un técnico certificado.
4. En cuanto a los equipos que contienen los gases fluorados de efecto invernadero en cantidades de 5 toneladas de equivalentes de CO₂ o más, pero menos de 50 toneladas de equivalente CO₂, si el sistema tiene un sistema de detección de fugas instalado, debe ser inspeccionado en busca de pérdidas cada 24 meses.
5. Se recomienda mantener un registro de los controles al momento de revisar la unidad en busca de pérdidas.

**ADVERTENCIA sobre el Uso del Refrigerante R32/R290**

- Cuando se utilizan refrigerantes inflamables, el dispositivo debe almacenarse en un área bien ventilada, cuyo tamaño se corresponda con el área especificada para la operación.

Para los modelos de refrigerante R32:

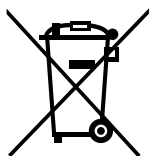
El dispositivo debe ser instalado, operado, y almacenado en una habitación cuya superficie del suelo sea mayor a $X \text{ m}^2$. El dispositivo no debe instalarse en lugares sin ventilación cuando el espacio sea inferior a los $X \text{ m}^2$ (Vea el siguiente formulario).

Modelo (Btu/h)	Cantidad de refrigerante a cargar (kg)	Altura de instalación	Área mínima de la habitación (m^2)
≤ 12000	$\leq 1,11$	2,2m	1
18000	$\leq 1,65$	2,2m	2
24000	$\leq 2,58$	2,2m	5
30000	$\leq 3,08$	2,2m	7
36000	$\leq 3,84$	2,2m	10
42000-48000	$\leq 4,24$	2,2m	12
55000-60000	$\leq 4,39$	2,2m	13

- No se permiten los conectores mecánicos reusables y las uniones ensanchadas puertas adentro. (Requisitos Estándar **EN**)
- Los conectores mecánicos usados en interiores deben tener un ritmo no superior a 3g/año a 25% de la presión máxima permitida. Renueve las juntas cuando reutilice los mecánicos en el interior. Cuando las uniones ensanchadas sean reutilizadas, la parte ensanchada deberá ser fabricada de nuevo. (Requisitos Estándar **UL**)
- Renueve las juntas cuando reutilice los mecánicos en el interior. Cuando las uniones ensanchadas sean reutilizadas, la parte ensanchada deberá ser fabricada de nuevo. (Requisitos Estándar **IEC**)
- Los conectores mecánicos usados en interiores deben cumplir con la norma ISO 14903.

Lineamientos Europeos sobre el Desecho

Esta marca en el producto o su documentación indica que sus desperdicios y equipos electrónicos no deben mezclarse con los desechos del hogar.



Descarte Correcto de Este Producto
(Equipos Eléctricos y Electrónicos Residuales)

Este dispositivo contiene refrigerantes y otras sustancias potencialmente peligrosas. Cuando descarte este producto, respete los requisitos legales sobre la recolección y el tratamiento. **No** descarte este dispositivo al igual que los residuos de su hogar o como residuo urbano sin clasificar.

Al momento de desecharlo, tendrá las siguientes opciones:

- Descargue el dispositivo en la instalación de recolección de productos electrónicos residuales designado por su municipalidad.
- Cuando compre un electrodoméstico nuevo, su vendedor se llevará su dispositivo reemplazado sin ningún tipo de costo.
- El fabricante lo recibirá y no le cobrará por ello.
- Venda su dispositivo a un comerciante de chatarra certificado.

Aviso especial

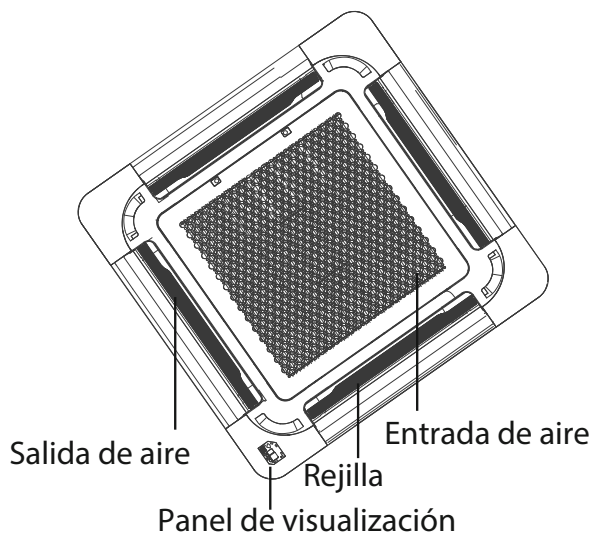
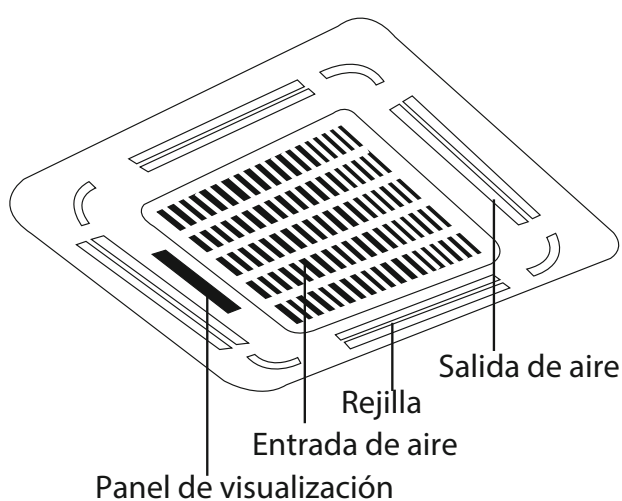
Descarte este electrodoméstico en bosques, u otros lugares naturales, pone en peligro su salud y daña el medio ambiente. Las sustancias peligrosas pueden penetrar hasta llegar al agua subterránea e ingresar a la cadena alimenticia.

Especificaciones y Características de la Unidad

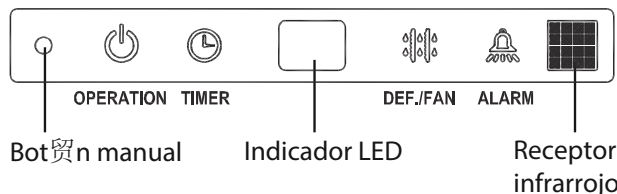
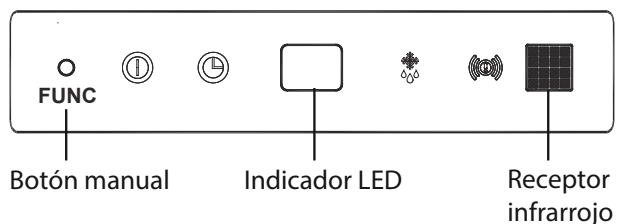
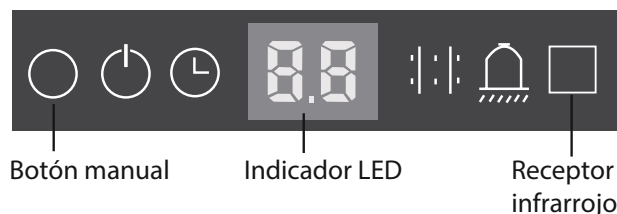
Pantalla de la unidad interna

AVISO: Los paneles de visualización varían entre los diferentes modelos. Tenga en cuenta que todas las indicaciones de abajo están disponibles para el acondicionador de aire que usted compró. Revise el panel de visualización interno de la unidad que adquirió. Las ilustraciones en este manual tienen un fin explicativo. La verdadera forma de su unidad interna puede variar ligeramente. Prevalecerá la forma real del producto.

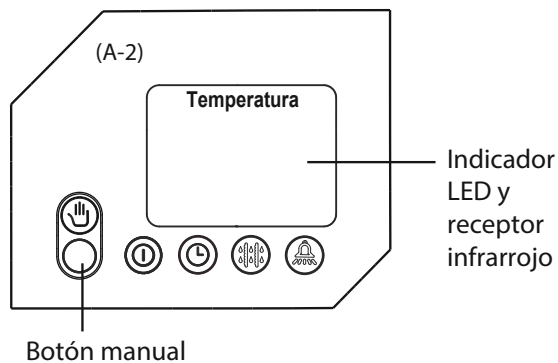
Este panel de visualización en la unidad interna puede usarse para operar la unidad cuando el control remoto haya sido colocado incorrectamente o cuando ya no le quede batería.









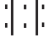









(A-1)

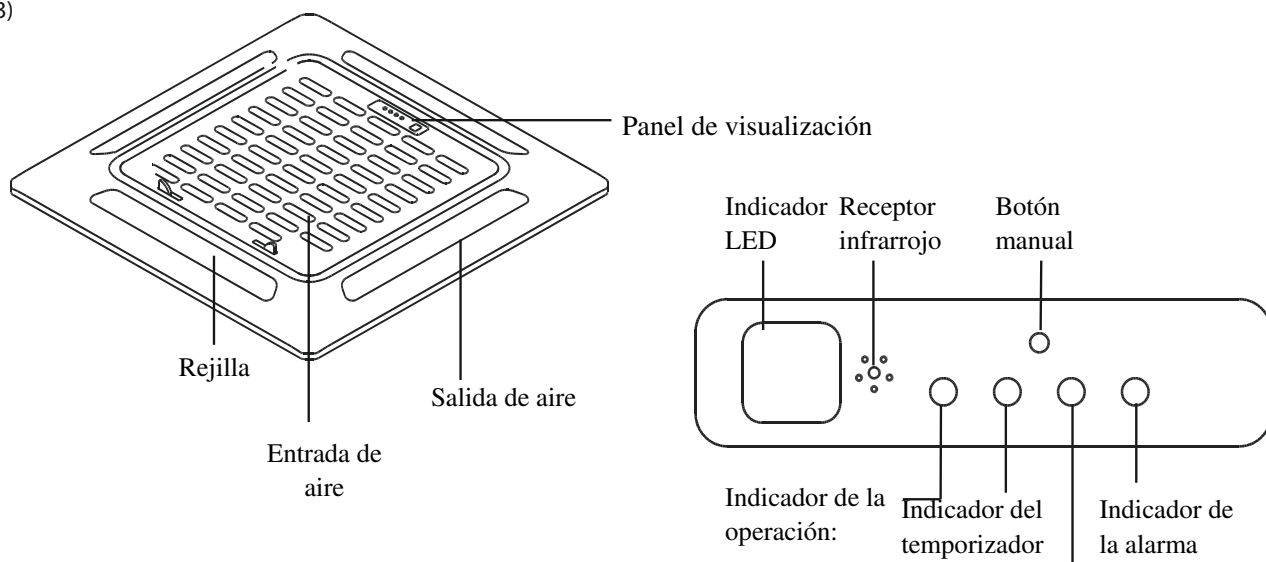


(A-2)

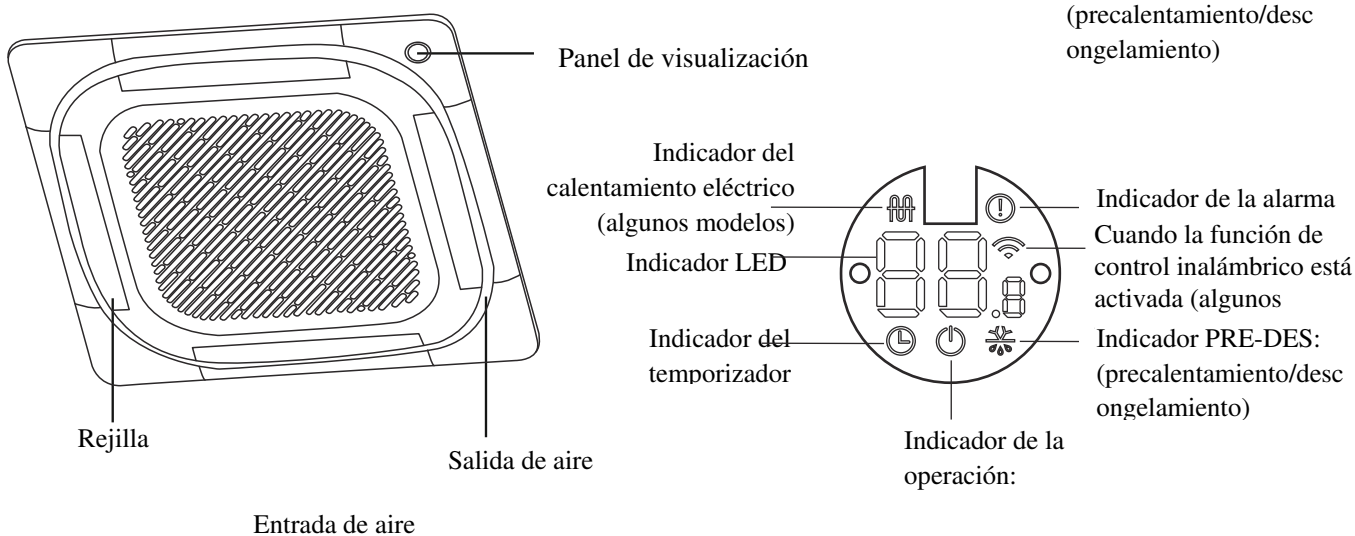


- **Indicador de operación:**    
- **Indicador del temporizador:**    
- **Indicador PRE-DES: (precalentamiento/ descongelamiento)**    
- **Indicador de la alarma:**    

(A-3)



(B)



- **Botón manual:** Ese botón selecciona los modos en el siguiente orden: AUTOMÁTICO, ENFRÍADO FORZADO, APAGADO.

Modo de ENFRÍADO FORZADO: En el modo de ENFRÍADO FORZADO, la luz de Operación parpadeará. El sistema entrará en el modo AUTOMÁTICO luego de haber enfriado con una velocidad alta de viento durante 30 minutos. El control remoto será deshabilitado durante esta operación.

Modo “Apagado”: Cuando el panel de visualización sea apagado, la unidad también lo hará, y el control remoto será vuelto a habilitar.

Temperatura de operación

Cuando use su acondicionador de aire fuera de los siguientes rangos de temperatura, ciertas funciones de protección de seguridad se activarán y harán que la unidad sea deshabilitada.

Tipo Dividido Invertido

	Modo de ENFRÍADO	Modo de CALENTAMIENTO	Modo SECO
Temperatura de la Habitación	16°C - 32°C (60°F - 90°F)	0°C - 30°C (32°F - 86°F)	10°C - 32°C (50°F - 90°F)
Temperatura Externa	0°C - 50°C (32°F - 122°F)	-15°C - 24°C (5°F - 75°F)	0°C - 50°C (32°F - 122°F)
	-15°C - 50°C (5°F - 122°F) (Para modelos con sistemas de enfriamiento bajo de temperatura)		
	0°C - 52°C (32°F - 126°F) (Para modelos tropicales especiales)	0°C - 52°C (32°F - 126°F) (Para modelos tropicales especiales)	

PARA LAS UNIDADES EXTERNAS CON UN CALENTADOR ELÉCTRICO AUXILIAR

En el exterior cuando la temperatura es inferior a los 0°C (32°F), le recomendamos mantener la unidad desenchufada en todo momento para asegurar el funcionamiento continuo y fluido.

Tipo de velocidad fija

	Modo de ENFRÍADO	Modo de CALENTAMIENTO	Modo SECO
Temperatura de la Habitación	16°C-32°C (60°F-90°F)	0°C-30°C (32°F-86°F)	10°C-32°C (50°F-90°F)
Temperatura Externa	18°C-43°C (64°F-109°F)	-7°C-24°C (19°F-75°F)	11°C-43°C (52°F-109°F)
	-7°C-43°C (19°F-109°F) (Para modelos con sistemas de enfriamiento bajo de temperatura)		18°C-43°C (64°F-109°F)
	18°C-52°C (64°F-126°F) (Para modelos tropicales especiales)		18°C-52°C (64°F-126°F) (Para modelos tropicales especiales)

AVISO: La humedad relativa de la habitación es inferior al 80%. Si al acondicionador de aire opera excediendo los valores de esta figura, es posible que la superficie de este atraiga la condensación. Ajuste la rejilla de flujo de aire en su ángulo máximo (vertical en relación al suelo), y ajuste el modo del ventilador en ALTO.

Para seguir optimizando el rendimiento de su unidad, haga lo siguiente:

- Mantenga las puertas y ventanas abiertas.
- Limite el uso de energía usando las funciones del TEMPORIZADOR ENCENDIDO y TEMPORIZADOR APAGADO.
- No bloquee las entradas y salidas de aire.
- Inspeccione y limpie los filtros de aire con regularidad.

Configuración por Defecto

Cuando el acondicionador de aire se reinicia luego de un corte, este volverá a sus configuraciones por defecto (modo AUTOMÁTICO, ventilador AUTOMÁTICO, 24°C (76°F)). Esto puede provocar inconsistencias en el control remoto y en el panel de la unidad. Use su control remoto para actualizar el estado.

Reiniciar automáticamente (algunos modelos)

En caso de un corte, el sistema se detendrá de inmediato. Cuando la corriente vuelva, la luz de Operación en la unidad interna parpadeará. Para reiniciar la unidad, pulse el Botón de **Encendido/Apagado** en el control remoto. Si el sistema cuenta con una función de reinicio automático, la unidad se reiniciará con las mismas configuraciones.

Función de protección de tres minutos (algunos modelos)

Las funciones de protección evitan que el acondicionador de aire se encienda por 3 minutos, aproximadamente, cuando se reinicia de inmediato luego de una operación.

Función de Memoria del Ángulo de la Rejilla (algunos modelos)

Algunos modelos cuentan con la función de memoria del ángulo de la rejilla. Cuando la unidad se reinicia luego de un corte, el ángulo de las rejillas horizontales vuelve a la posición anterior de forma automática. El ángulo de la rejilla horizontal no debe ser muy pequeño, ya que allí se podría formar una condensación y gotear en la máquina. Para reiniciar la rejilla, pulse el botón manual, el cual reiniciará las configuraciones de la rejilla horizontal.

Sistema de Detección de Pérdida de Refrigerante (algunos modelos)

Ante la eventualidad de una pérdida de refrigerante, el INDICADOR LED mostrará el código del error de fuga y parpadeará.

Cuidado y Mantenimiento

Limpeza de su Unidad Interna



ANTES DE REALIZAR LA LIMPIEZA O EL MANTENIMIENTO

SIEMPRE APAQUE EL SISTEMA DEL ACONDICIONADOR DE AIRE Y CORTE EL SUMINISTRO ELÉCTRICO ANTES DE REALIZAR LAS TAREAS DE MANTENIMIENTO O LIMPIEZA.



PRECAUCIÓN

Solo utilice un paño suave y seco para limpiar la unidad. Si se encuentra demasiado sucia, use un paño humedecido para limpiarla.

- **No** aplique químicos o paños tratados químicamente para limpiar la unidad
- **No** use benceno, disolvente de pintura, polvo para pulir u otros solventes para limpiar la unidad. Estos pueden deformar y romper la superficie del plástico.
- **No** use agua caliente de 40°C (104°F) o más para limpiar el panel frontal. Este podría deformar el panel o hacer que pierda el color.

Limpeza del Filtro de Aire

Si el acondicionador de aire está tapado, la eficiencia del enfriamiento puede verse reducida, y su salud puede verse afectada. Limpie el filtro una vez cada dos semanas.



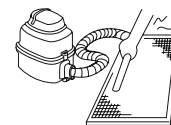
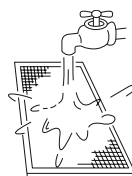
ADVERTENCIA: NO RETIRE O LIMPIE EL FILTRO POR SU CUENTA

Sacar y limpiar el filtro puede ser peligroso. El retiro del filtro y su mantenimiento debe ser hechos por un técnico certificado.

1. Retire el filtro de aire.
2. Limpie el filtro de aire aspirando la superficie o lavándola con agua tibia con un poco de detergente.
3. Enjuague el filtro con agua limpia y déjelo secar al aire. **NO** deje el filtro secando bajo la luz directa del sol.
4. Vuelva a colocar el filtro.

Cuando use agua, la entrada de apuntar hacia abajo y estar alejada del flujo de agua.

Si usa un aspirador, el lado de la entrada debe apuntar a aquél.



PRECAUCIÓN

- Antes de cambiar el filtro o limpiarlo, apague la unidad y desconéctela de la corriente.
- Cuando retire el filtro, no toque las partes metálicas de la unidad. Los bordes filosos de metal pueden cortar.
- No use agua para limpiar el interior de la unidad interna. Esto puede destruir el aislamiento y provocar una descarga eléctrica.
- No exponga el filtro a la luz directa del sol para secarlo. Esto puede causar que el filtro se encoja.

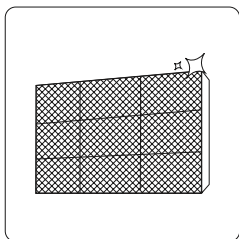


PRECAUCIÓN

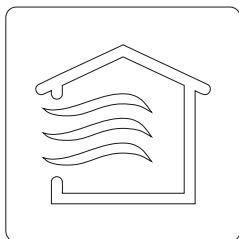
- Las tareas de limpieza y mantenimiento de la unidad externa deben ser hechos por un vendedor autorizado o un proveedor de servicios con licencia.
- Las tareas de reparación deben ser hechos por un vendedor autorizado o un proveedor de servicios con licencia.

Mantenimiento: Periodos Largos sin Uso

Si no piensa usar su acondicionador de aire por un tiempo prolongado, haga lo siguiente:

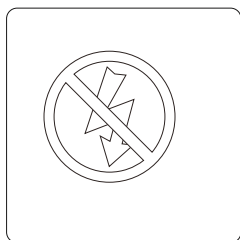


Limpie todos los filtros

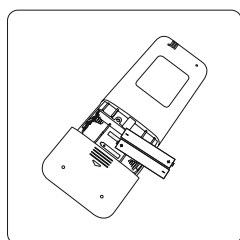


Active la función

VENTILADOR hasta que la unidad se seque por completo



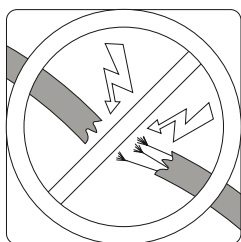
Apague la unidad y corte la corriente



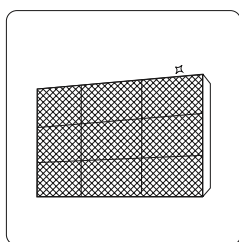
Retire las baterías del control remoto

Mantenimiento: Inspección de Pretemporada

Luego de un tiempo prolongado sin uso, o antes de temporadas de uso intenso, haga lo siguiente:



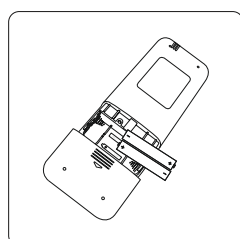
Revise si existen cables dañados



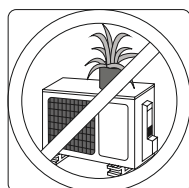
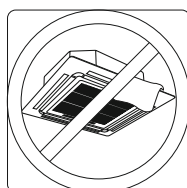
Limpie todos los filtros



Revise si existen pérdidas



Reemplace las baterías



Asegúrese de que no existan objetos bloqueando las entradas y salidas de aire.

Solución de Problemas

PRECAUCIONES DE SEGURIDAD

Apague su unidad de inmediato cuando ante cualquiera de los siguientes eventos:

- El cable de alimentación está dañado o se calienta de forma anormal
- Puede oler un olor a quemado
- La unidad emite sonidos fuertes o anormales
- El fusible se quema o el disyuntor se activa con frecuencia
- Ingresa agua, u otros objetos, a la unidad, o cuando estos salen de ella

NO INTENTE REPARAR ESTOS PROBLEMAS POR SU CUENTA ¡PÓNGASE EN CONTACTO CON UN PROVEEDOR DE SERVICIOS AUTORIZADO DE INMEDIATO!

Problemas Comunes

Los siguientes problemas no constituyen un mal funcionamiento y, con frecuencia, no requerirán de ninguna reparación.

Problema	Causas Posibles
La unidad no se enciende al pulsar el botón de Encendido/Apagado	La unidad cuenta con una función de protección de 3 minutos que evita que esta se sobrecargue. La unidad no se podrá reiniciar luego de 3 minutos de haber sido apagada.
	Modelos de enfriamiento y calentamiento: Si la luz indicadora de Operación y el indicador PRE-DES (Precalentamiento/Descongelamiento) se encienden, la temperatura externa es muy fría y la función de viento antifrío de la unidad se activa para descongelarla.
	En los modelos de solo enfriado: Si el indicador de "Solo Ventilador" se enciende, la temperatura externa es muy fría y la protección anticongelamiento de la unidad se activa para descongelar la unidad.
La unidad cambia del modo ENFRÍADO/CALENTAMIENTO al modo VENTILADOR	Es posible que la unidad cambie su configuración para prevenir la formación de hielo en la unidad. Una vez que la temperatura aumenta, la unidad empezará a operar en el modo seleccionado anteriormente.
	Se ha alcanzado la temperatura establecida, y en este punto la unidad apaga el compresor. La unidad seguirá funcionando cuando la temperatura vuelva a cambiar.
La unidad interna emite una neblina blanca	En regiones con humedad, las grandes diferencias de temperatura entre el aire de la habitación y el aire acondicionado pueden generar una neblina blanca.
Tanto la unidad interna como la externa emiten una neblina blanca	Cuando la unidad se reinicia en el Modo de CALENTAMIENTO luego de descongelarse, se emitirá una neblina blanca debido a la humedad generada por el proceso de descongelamiento.
La unidad interna hace ruido	Es posible que se sienta el sonido de aire corriendo cuando la rejilla reinicie su posición.
	Es posible que escuche un chillido cuando el sistema está Apagado o en el modo de ENFRÍADO. También se escucha este ruido cuando la bomba de drenaje (opcional) está funcionando.
	Es posible que se escuche un chillido luego de ejecutar la unidad en el Modo de CALENTAMIENTO debido a la expansión y contracción de las partes plásticas.
Tanto la unidad interna como la externa hacen ruidos	Silbido leve durante el funcionamiento: Esto es normal. Se debe al flujo del gas refrigerante a través de la unidad interna y la externa.
	El silbido leve se produce al iniciar el sistema, cuando se lo ha parado, o cuando se está descongelando: El ruido es normal y es causado por la parada del gas refrigerante o el cambio de dirección.
	Chillido: La normal expansión y contracción de las partes plásticas y metálicas son causadas por los cambios de temperatura durante el funcionamiento.

Problema	Causas Posibles
La unidad externa hace ruido	La unidad hará un sonido diferente según el modo de operación actual.
La unidad interna o la externa emite polvo	Es posible que el polvo se acumule durante periodos largos sin uso. Estos serán expulsados cuando se encienda la unidad. Para mitigar esto, cubra la unidad durante estos periodos extensos de inactividad.
La unidad emite un mal olor	La unidad puede absorber los olores en su alrededor (muebles, cocina, cigarrillos, etc.) y expulsarlos durante su funcionamiento.
	Los filtros de la unidad se tornaron mohosos y deben ser limpiados.
El ventilador de la unidad externa no funciona	Durante el funcionamiento del producto, la velocidad del ventilador es controlado para optimizar su operación.

AVISO: Si el problema persiste, contacte con su vendedor local o el centro de servicio más cercano. Suministreles una descripción completa del funcionamiento defectuoso y el número del modelo.

Solución de Problemas

Cuando ocurra un inconveniente, revise los siguientes puntos antes de contactar con la empresa de reparaciones.

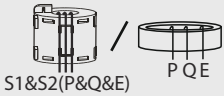
Problema	Causas Posibles	Solución
Rendimiento pobre del enfriado	La temperatura establecida es más alta que la temperatura de la habitación	Reduzca la temperatura establecida
	El intercambiador de calor en la unidad interna o externa está sucio	Limpie el intercambiador de calor afectado
	El filtro de aire está sucio	Retire el filtro y límpielo según las instrucciones
	La entrada o salida de aire está bloqueada	Apague la unidad, retire la obstrucción y vuelva a encenderla
	Las puertas y las ventanas están abiertas	Asegúrese de que todas las puertas y las ventanas estén cerradas cuando la unidad esté funcionando
	El calor excesivo es producido por la luz del sol.	Cierre las ventanas y las cortinas durante calores altos o luz directa del sol intensa
	Hay muchas fuentes de calor en la habitación (personas, computadoras, productos electrónicos, etc.)	Reduzca la cantidad de fuentes de calor
	Refrigerante bajo debido a una pérdida o tiempo de uso prolongado	Revise si existen pérdidas, vuelva a sellar de ser necesario, y llene el refrigerante

Problema	Causas Posibles	Solución
La unidad no funciona	Falla del suministro eléctrico	Espere a que la corriente eléctrica vuelva
	La corriente está apagada	Encienda la corriente
	El fusible está quemado	Reemplace el fusible
	Las baterías del control remoto están agotadas	Reemplace las baterías
	Se ha activado la protección de 3 minutos de la unidad	Espere durante tres minutos luego de reiniciar la unidad
	El temporizador está activado	Apague el temporizador
La unidad se inicia y se detiene con frecuencia	El sistema tiene demasiado o muy poco refrigerante	Revise si existen pérdidas y recargue el refrigerante del sistema.
	En el sistema entró gas incompresible o humedad.	Evacue el sistema y recárguelo con refrigerante.
	El circuito del sistema está bloqueado	Determine que circuito está bloqueado y reemplace la pieza defectuosa del equipo
	El compresor está roto	Reemplace el compresor
	La tensión es muy alta o muy baja	Instale un manostato para regular la tensión
Rendimiento de calentamiento pobre	La temperatura externa es extremadamente baja	Use un dispositivo de calentamiento auxiliar
	Por las puertas y ventanas está ingresando aire frío	Asegúrese de que todas las puertas y las ventanas estén cerradas durante el uso
	Refrigerante bajo debido a una pérdida o tiempo de uso prolongado	Revise si existen pérdidas, vuelva a sellar de ser necesario, y llene el refrigerante
Las lámparas indicadoras siguen parpadeando	La unidad puede detenerse o continuar funcionando de forma segura Si la lámpara indicadora sigue parpadeando, o aparece un código de error, espere unos 10 minutos. Es posible que el problema se resuelva solo. De lo contrario, desconecte de la corriente, y vuelva a conectar. Encienda la unidad. Si el problema persiste, desconecte la corriente y póngase en contacto con el centro de servicio más cercano.	
Aparece un código de error con las siguientes letras en la pantalla de la unidad interna: • E(x), P(x), F(x) • EH(xx), EL(xx), EC(xx) • PH(xx), PL(xx), PC(xx)		

AVISO: Si el problema persiste luego de realizar las comprobaciones de arriba, apague su unidad y póngase en contacto de inmediato con un centro de servicio autorizado.

Accesorios

El sistema de acondicionamiento de aire viene con los siguientes accesorios. Use todas las partes y accesorios para instalar el acondicionador de aire. Una mala instalación puede causar pérdidas de agua, descargas de agua, incendios, y el mal funcionamiento del equipo. Los artículos no incluidos con el acondicionador de aire deben ser comprados por separado.

Nombre de los accesorios	Cantidad (uds)	Forma	Nombre de los accesorios	Cantidad (uds)	Forma
Manual	2~4		Plantilla de papel de instalación (algunos modelos)	1	
Funda isonorizada/aislada (algunos modelos)	1		Goma antigolpes (algunos modelos)	1	
Funda isonorizada/aislada (algunos modelos)	1		Unión de drenaje (algunos modelos)	1	
Funda del tubo de salida (algunos modelos)	1		Anillo de sellado (algunos modelos)	1	
Agarradera del tubo de la salida (algunos modelos)	1		Tuerca de cobre	2	
Gancho de techo (algunos modelos)	4		Anillo magnético (envuelva los cables eléctricos S1 y S2 (P, Q, y E) alrededor del anillo magnético dos veces) (algunos modelos)	1	
Perno de suspensión (algunos modelos)	4		Anillo magnético (engánchelo al cable de conexión entre la unidad interna y la unidad externa luego de la instalación) (algunos modelos)	Varía según el modelo	
Regulador (algunos modelos)	1		Tornillo perforante (algunos modelos)	4	
Cinturón (algunos modelos)	4		Abrazadera de tubo (algunos modelos)	2	
Placa de instalación del conducto (algunos modelos)	1				

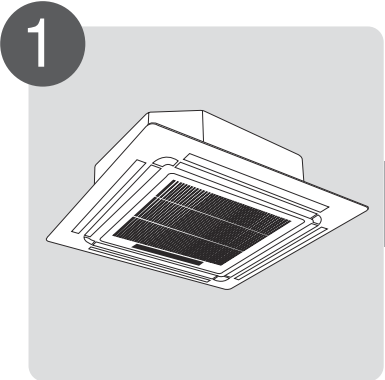
Accesorios opcionales

- Hay dos tipos de controles remotos: con cable e inalámbricos. Seleccione un control remoto en base a las preferencias del cliente y los requisitos, e instálelo en un lugar adecuado. Remítase a los catálogos y a la documentación técnica para guiarse en la selección del control remoto adecuado.

Nombre	Forma	Cantidad (uds)
Ensamblado de la tubería de conexión	Lado líquido	Φ6,35 (1/4 in)
		Φ9,52 (3/8 in)
		Φ12,7 (1/2 in)
	Lado del gas	Φ9,52 (3/8 in)
		Φ12,7 (1/2 in)
		Φ16 (5/8 in)
		Φ19 (3/4 in)
	Φ22 (7/8 in)	
Partes que debe comprar por separado. Consulte con su vendedor sobre el tamaño adecuado de la unidad que usted compró.		

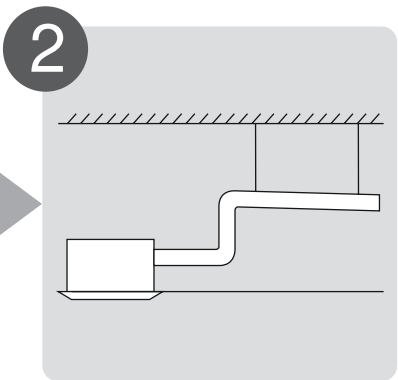
Resumen de la Instalación

Resumen de la Instalación



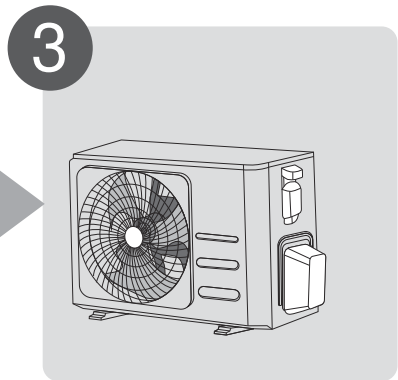
1

G q_r_jc_j_sl g_b g rcp_l _



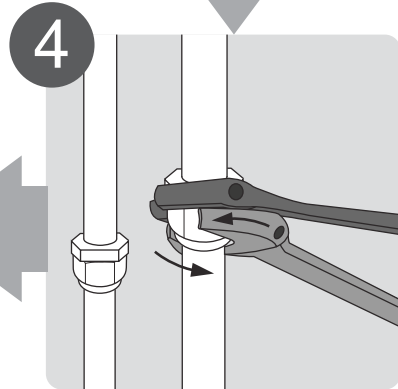
2

G q_r_jc c_j rs `mbc bpl _lc



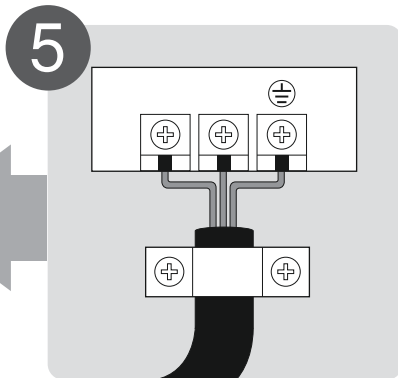
3

G q_r_jc_j_sl g_b cvrcpl _



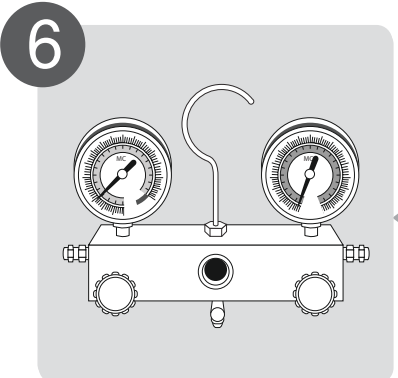
4

Ami carc j_qrs `cpa_qbcj pcdgcp_l rc



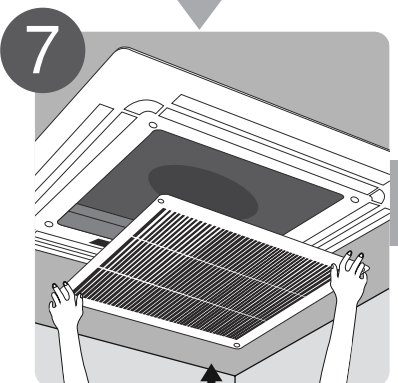
5

Ami carc j_mqa `jcq



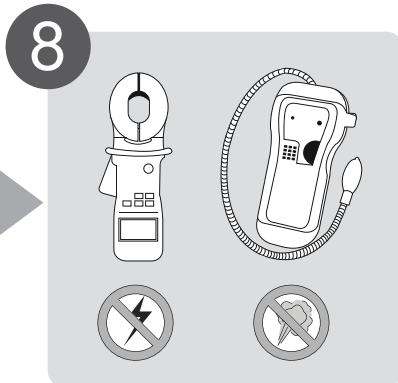
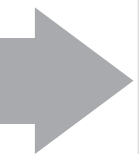
6

Ct_asc c_j q_rck _bc pcdgcp_ag_l



7

G q_r_jc c_j n_l c_j qm r_j



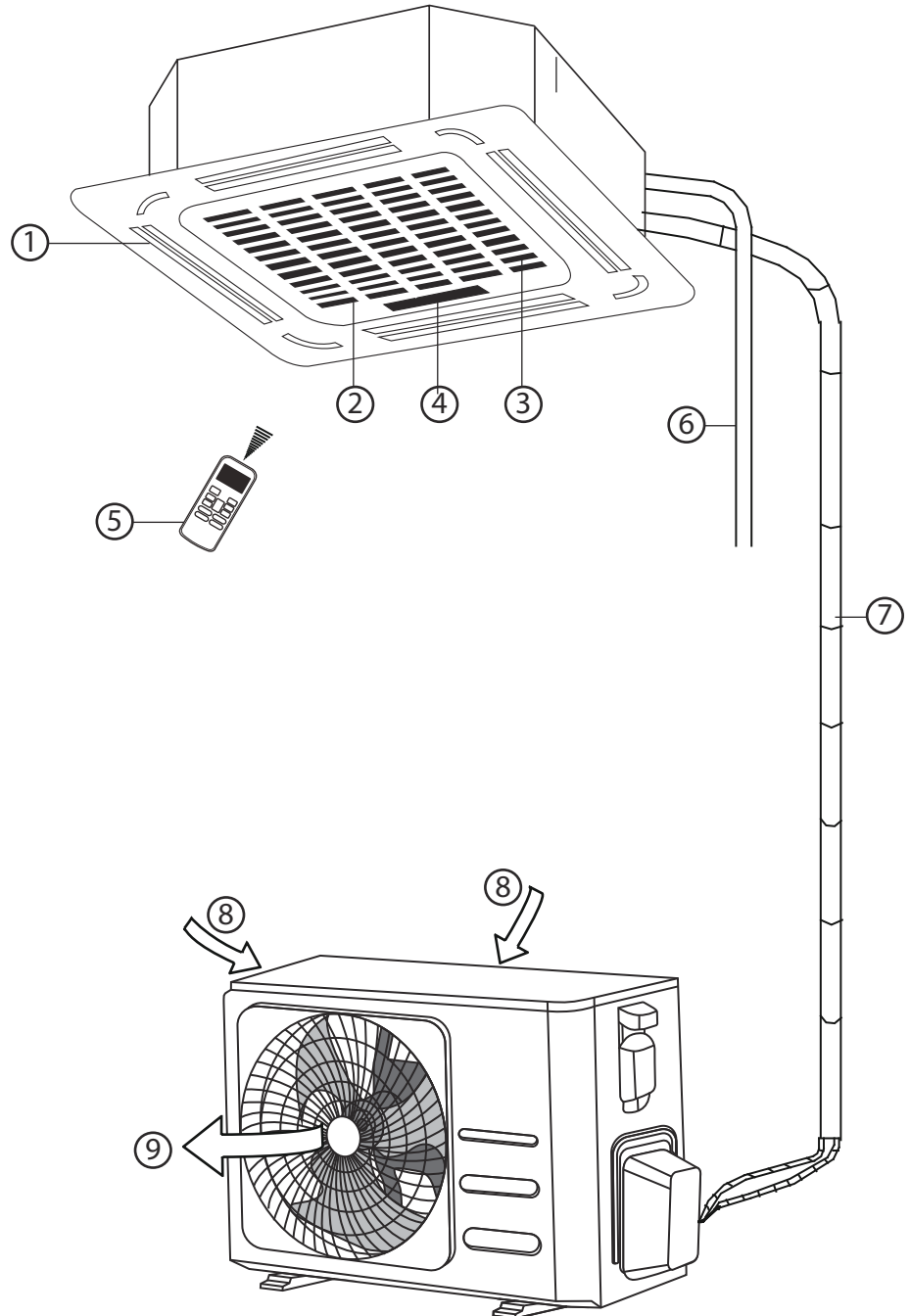
8

Pc_jgc sl _nscq_cl k_paf _bc npsc ` _

Partes de la Unidad

AVISO: La instalación se debe hacer según los requisitos de estándares locales y nacionales. La instalación puede variar ligeramente entre las diferentes áreas.

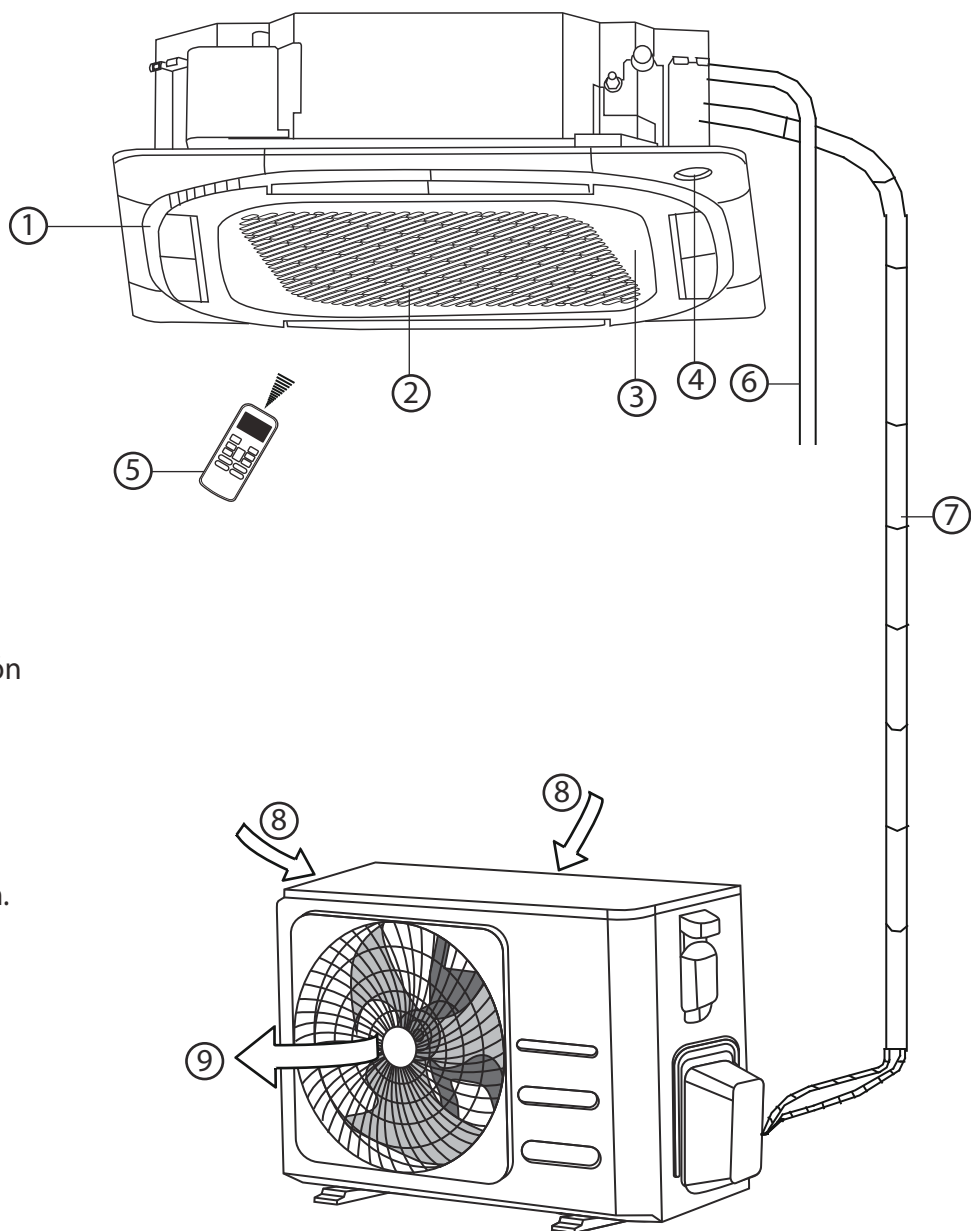
(A)



- ① Salida de aire
- ② Entrada de aire
- ③ Rejilla frontal
- ④ Panel de visualización
- ⑤ Control remoto
- ⑥ Tubo de drenaje

- ⑦ Tubería de conexión.
- ⑧ Entrada de aire
- ⑨ Salida de aire

(B)



- ① Salida de aire
- ② Entrada de aire
- ③ Rejilla frontal
- ④ Panel de visualización
- ⑤ Control remoto
- ⑥ Tubo de drenaje

- ⑦ Tubería de conexión.
- ⑧ Entrada de aire
- ⑨ Salida de aire

AVISO SOBRE LAS ILUSTRACIONES

Las ilustraciones en este manual tienen un fin explicativo. La verdadera forma de su unidad interna puede variar ligeramente. Prevalecerá la forma real del producto.

Instalación de la Unidad Interna

Instrucciones de Instalación: Unidad interna

AVISO: La instalación del panel se debe llevar adelante una vez que se haya terminad de instalar las tuberías y los cables.

Paso 1: Seleccione el lugar de la instalación

Antes de instalar la unidad interna, elija un lugar apropiado. A continuación encontrará los estándares que le ayudarán a elegir un lugar adecuado para la unidad.

Estándares para los lugares de instalación adecuados:

- Espacio suficiente para la instalación y el mantenimiento.
- Espacio suficiente para conectar el tubo y el tubo de drenaje.
- El techo es horizontal en relación a la unidad y la estructura soporta el peso de la unidad interna.
- La entrada ni la salida de aire están bloqueadas.
- El flujo de aire alcanza toda la habitación.
- No existe radiación directa de los calentadores.

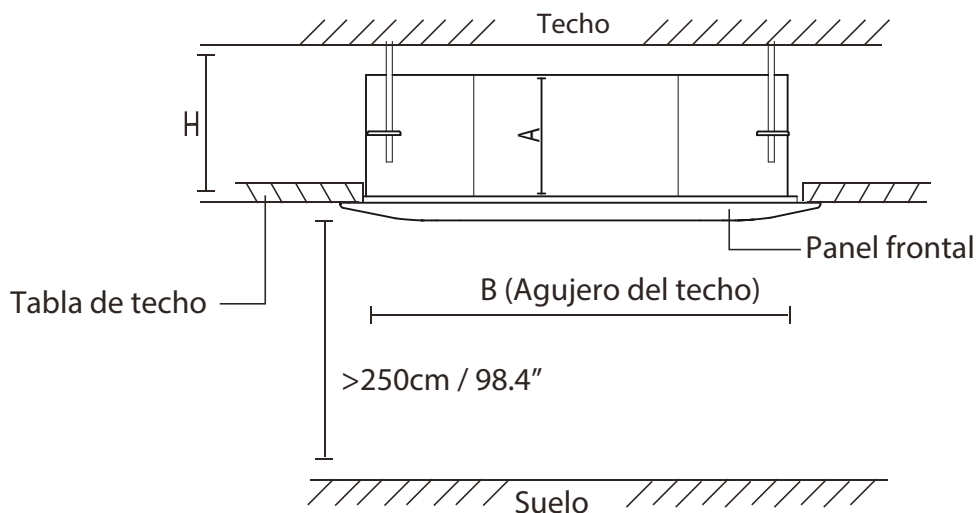
NO instale la unidad en los siguientes lugares:

- ⊘ Lugares de explotación petrolera o fracking
- ⊘ Zonas costeras con gran contenido de sal en el aire
- ⊘ Lugares con gases corrosivos en el aire, como en zonas de aguas termales
- ⊘ Lugares con fluctuaciones de tensión, como fábricas
- ⊘ Espacios cerrados, como gabinetes
- ⊘ Cocinas que usan gas natural
- ⊘ Lugares con ondas electromagnéticas fuertes
- ⊘ Lugares que almacenan materiales inflamables o gas
- ⊘ Habitaciones con mucha humedad, como baños y lavaderos

Distancias recomendadas entre la unidad interna y el techo

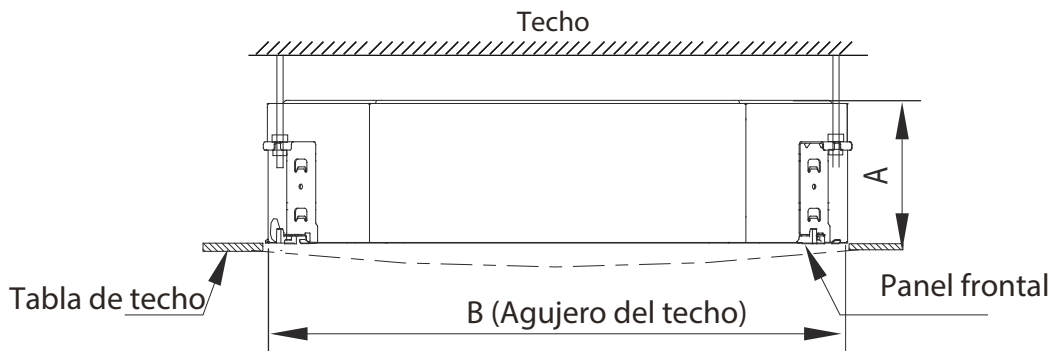
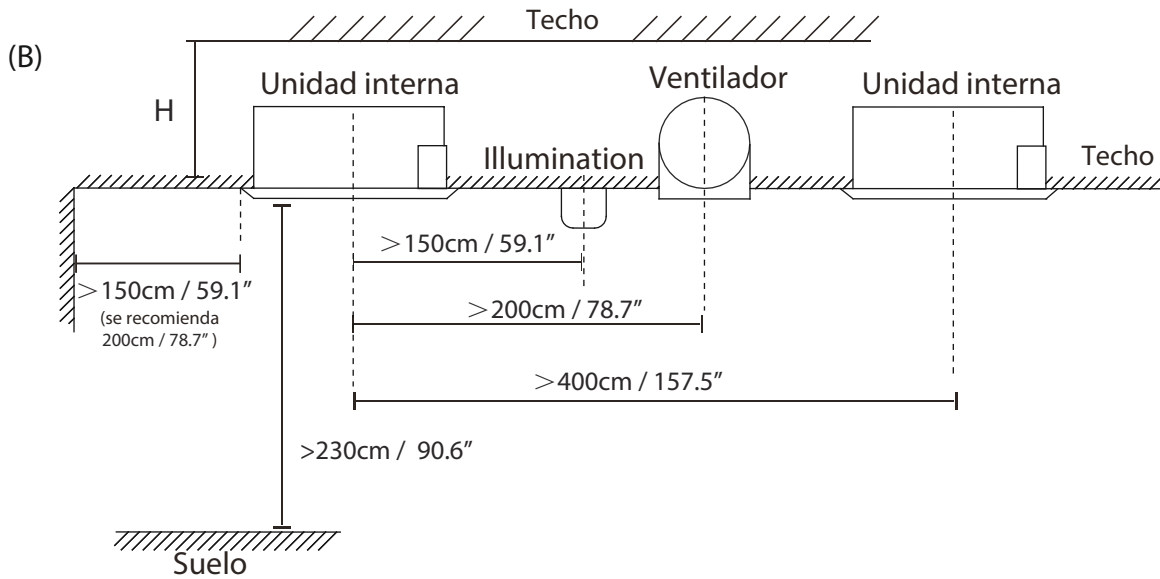
La distancia entre la unidad interna y el techo de adentro debe cumplir las siguientes especificaciones

(A)



Distancia desde el techo en relación a la altura de la unidad interna

TIPO	MODELO	Longitud de A (mm/in)	Longitud de H (mm/in)	Longitud de B (mm/in)
Modelos súper delgados	18-24	205/8	> 235/9,3	880/34,5
	24	245/9,6	> 275/10,8	
	30	205/8	> 235/9,3	
	30-48	245/9,6	> 275/10,8	
	48-60	287/11,3	> 317/12,5	
	48-60	287/11,3	> 317/12,5	940/37,0
Modelos compactos		260/10,2	> 290/11,4	600/23,6



Distancia desde el techo en relación a la altura de la unidad interna

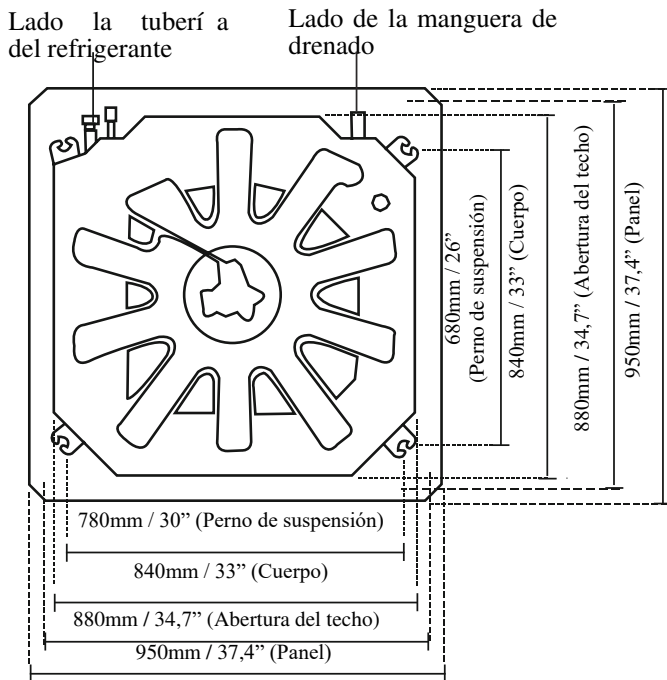
MODELO	Longitud de A (mm/in)	Longitud de H (mm/in)	Longitud de B (mm/in)
18-24	205/8,03	230/9,06	900/35,4
30-42	245/9,65	271/10,7	
42-60	287/11,3	313/12,3	

Paso 2: Cuelgue la unidad interna

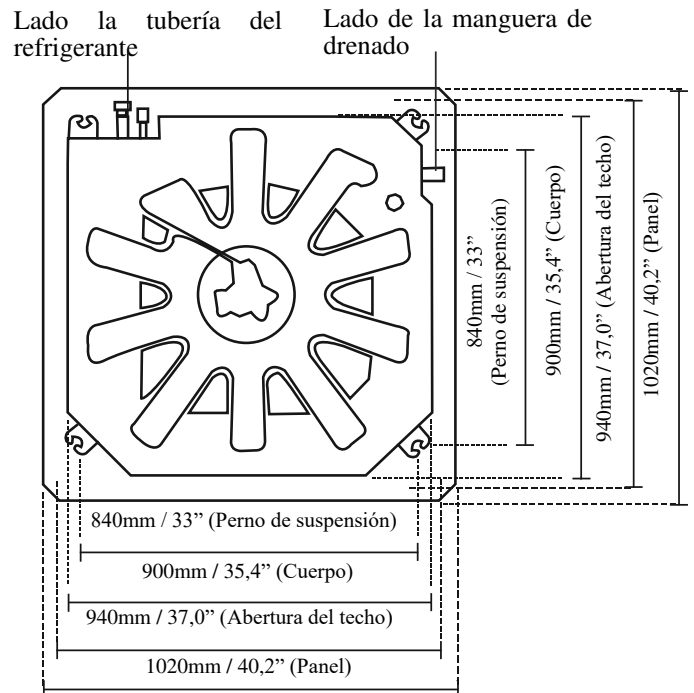
1. Use la plantilla de papel incluida para hacer una perforación rectangular en el techo; debe dejar al menos 1m (39") en todos los lados. El tamaño de la perforación debe ser de 4cm (1,6") más grande.

Asegúrese de marcar bien las áreas donde se perforarán los agujeros en el techo.

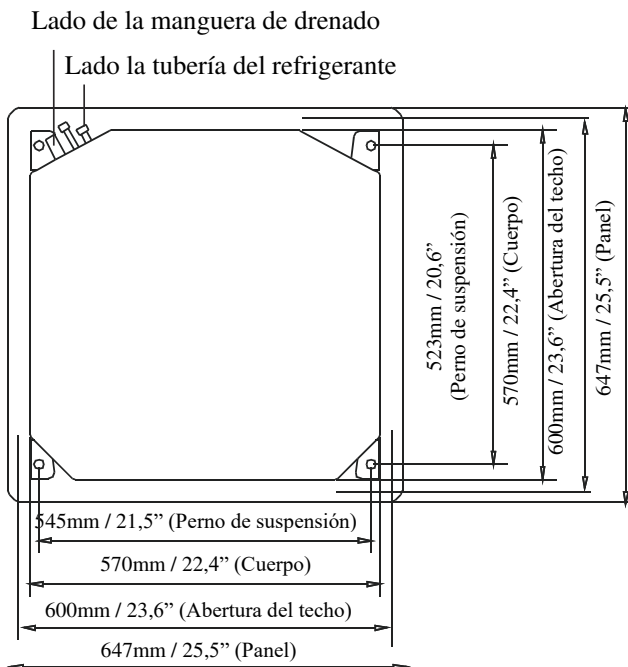
(A)



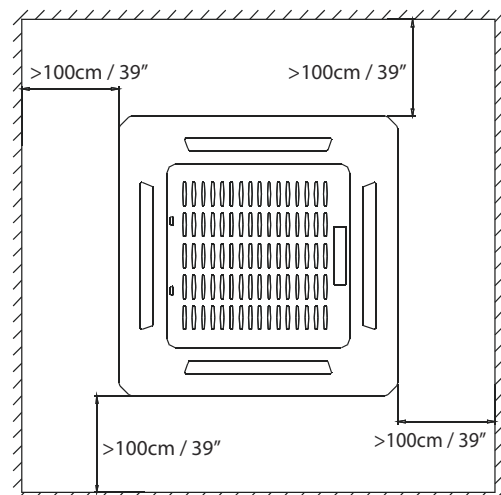
Tamaño del agujero del techo para los modelos súper delgados 18-48K



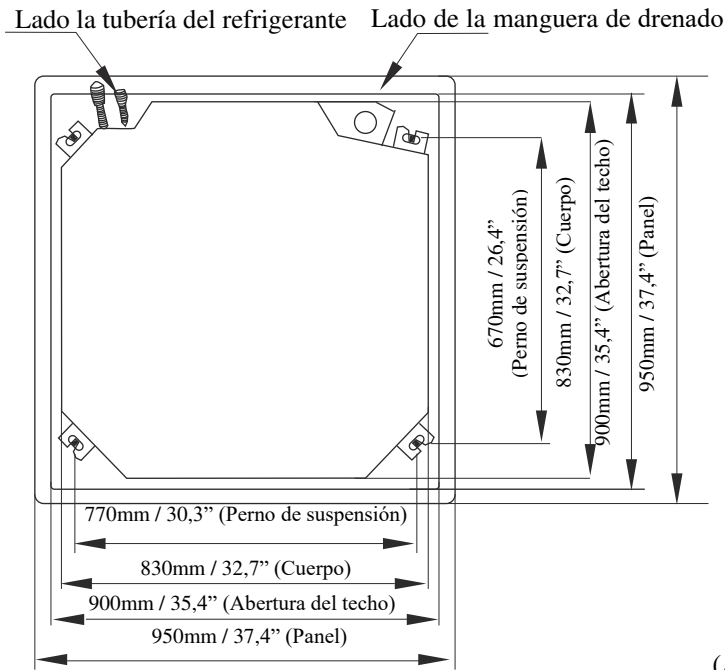
Tamaño del agujero del techo para los modelos súper delgados 60K



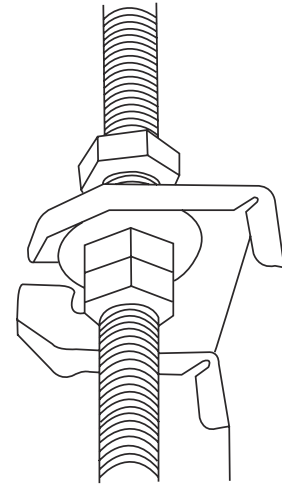
Tamaño del agujero del techo para los modelos súper delgados



(B)

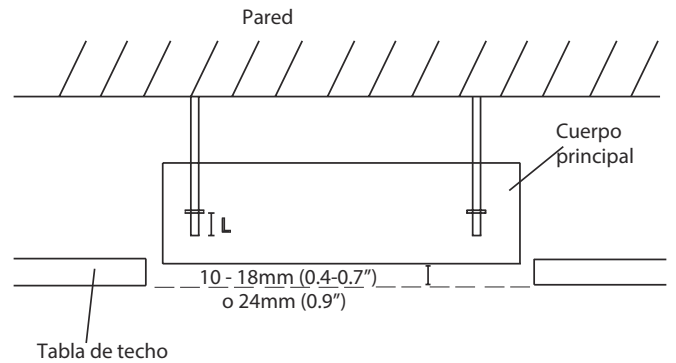


5. Instale la unidad interna. Necesitará dos personas para levantar la unidad y asegurarla. Inserte los pernos de suspensión en los agujeros de colgado de la unidad. Ajustelos con las arandelas y tuercas incluidas.



(A)

AVISO: La parte inferior del producto debe ser 10-18mm (0,4-0,7") (modelos súper delgados) o 24mm (0,9") (modelos compactos) más grande que la tabla del techo. Por lo general, L (señalado en la figura de abajo) debe tener la mitad de la longitud del perno de suspensión, o ser lo suficientemente largo para evitar que las tuercas se salgan.



PRECAUCIÓN

El cuerpo de la unidad debe alinearse perfectamente con el agujero. Asegúrese de que el tamaño de la unidad y el agujero sean iguales antes de proseguir.

2. (A)

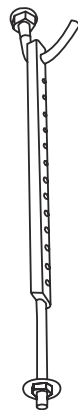
Taladre 4 agujeros de 5cm (2") en las posiciones para los ganchos del techo, en el techo interno. Asegúrese de sostener el taladro en un ángulo de 90° en relación al techo.

(B)

Taladre 4 agujeros de 12cm-15,5cm (4,7"-6,1") en las posiciones para los ganchos del techo, en el techo interno. Asegúrese de sostener el taladro en un ángulo de 90° en relación al techo.

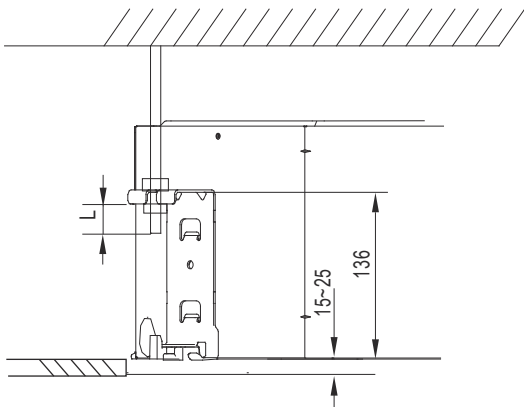
3. Con un martillo, coloque los ganchos del techo en los agujeros taladrados. Asegure el perno con las arandelas y tuercas incluidas.

4. Instale los cuatro pernos de suspensión.



(B)

AVISO: La parte inferior de la unidad debe ser 10-25mm (0,4-0,98") más grande que la tabla del techo. Por lo general, L (señalado en la figura de abajo) debe tener la mitad de la longitud del perno de suspensión, o ser lo suficientemente largo para evitar que las tuercas se salgan.

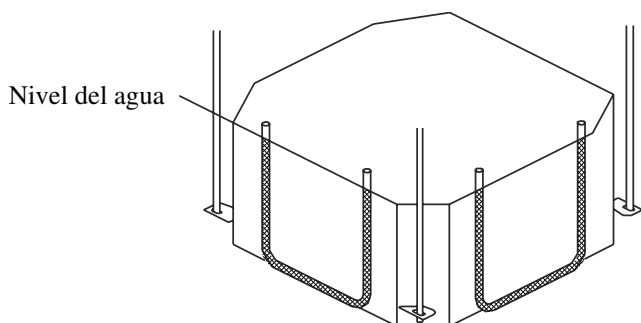


PRECAUCIÓN

Asegúrese de que la unidad esté totalmente nivelada. Una instalación inapropiada puede provocar que el tubo de drenaje devuelva sus contenidos a la unidad, o que este tenga pérdidas.

AVISO: Asegúrese de que la unidad interna esté nivelada. La unidad cuenta con una bomba de drenaje incorporada y un interruptor de nivel. Si la unidad se inclina contra la dirección de los flujos condensados (el lado del tubo de drenaje está inclinado), el interruptor de nivel puede fallar y provocar pérdidas de agua.

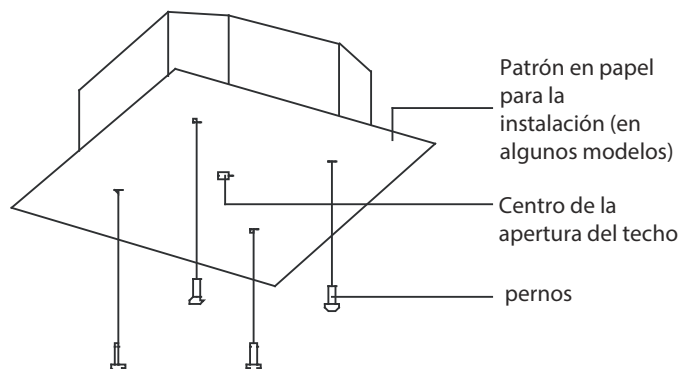
(para algunos modelos)



AVISO PARA INSTALACIONES NUEVAS EN EL HOGAR

Cuando instala la unidad en un hogar nuevo, los ganchos de techo se pueden colocar de antemano. Asegúrese de que los ganchos no se aflojen por la contracción del concreto. Luego de instalar la unidad interna, ajuste la plantilla de instalación sobre la unidad con pernos para determinar por adelantado las dimensiones y la posición de la apertura del techo.

Siga las instrucciones de arriba para los pasos restantes de la instalación.



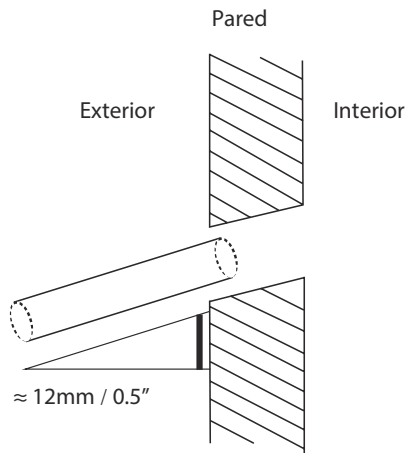
Paso 3: Taladre un agujero en la pared para la tubería de conexión

1. Determine la ubicación del agujero de la pared en base a la ubicación de la unidad externa.
2. Use una broca de 65mm (2,56") o 90mm (3,54") (según el modelo) para taladrar un agujero en la pared. Asegúrese de taladrar el agujero con una ligera inclinación hacia abajo, de tal manera de que el orificio exterior esté más abajo que el orificio interior por unos 12 mm (0,5"). Esto garantizará el adecuado drenaje del agua.
3. Coloque el manguito protector de pared en el agujero. Este protegerá los bordes del agujero y ayudará con el sellado cuando termine la instalación.



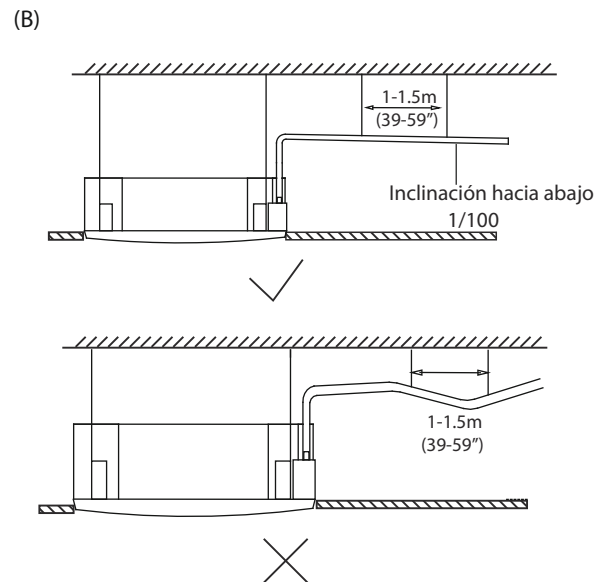
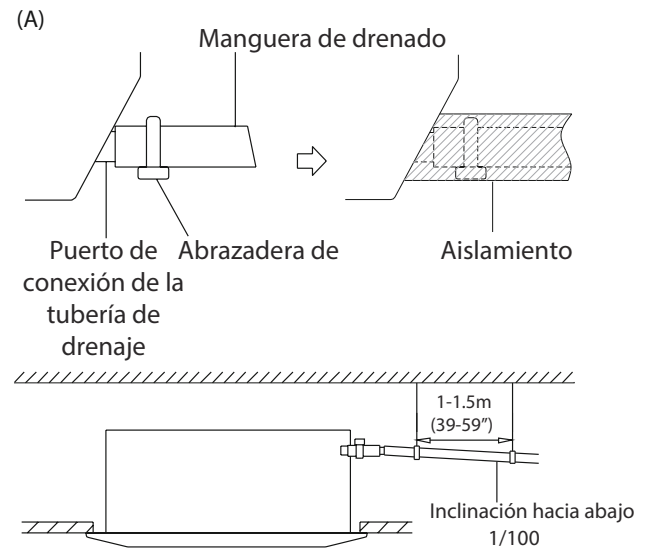
PRECAUCIÓN

Cuando taladre la pared, evite todo tipo de cables, cañerías, y otros objetos sensibles.



Instalación del Tubo de Drenaje

Instale el tubo de drenaje según la siguiente Figura.



Paso 4: Conecte la manguera de drenado

El tubo de drenaje se usa para expulsar el agua de la unidad. Una instalación inapropiada puede dañar la unidad y su propiedad.



PRECAUCIÓN

- Aísle la tubería para evitar la condensación, ya que esta podría provocar pérdidas de agua.
- Si el tubo de drenaje está doblado, o si se ha instalado de forma incorrecta, podría haber pérdidas de agua y provocar el mal funcionamiento del interruptor de nivel de agua.
- En el modo de CALENTAMIENTO la unidad externa descargará el agua. Asegúrese de que la manguera de drenado esté colocada en un lugar apropiado para evitar daños por agua y salpicaduras.
- **NO** tire del tubo de drenaje con fuerza. Este podría desconectarlo.

AVISO SOBRE LA COMPRA DE TUBOS

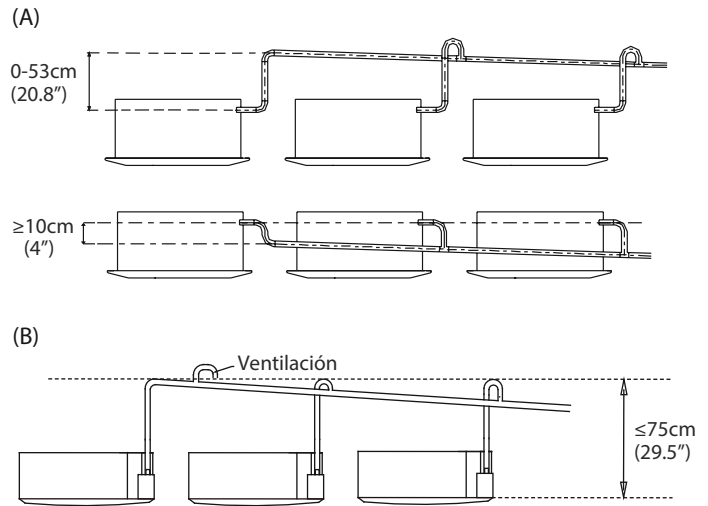
La instalación requiere de un tubo de polietileno (diámetro exterior = 2,5cm o 3,7-3,9cm) (dependiendo de los modelos), el cual puede comprar en su tienda local.

AVISO SOBRE LA INSTALACIÓN DEL TUBO DE DRENAJE

- Cuando use un tubo de drenaje extendido, ajuste la conexión interna con un tubo de protección adicional para evitar que se afloje.
- El tubo de drenaje debe tener una inclinación hacia abajo, con una pendiente de 1/100, para evitar que el agua vuelva a ingresar al acondicionador de aire.
- Para evitar que el tubo se hunda, debe haber un espacio entre los cables de 1-1,5m (39-59").
- Si la salida del tubo de drenaje está más arriba que la unión de la bomba, sume un tubo de levante para la salida de la unidad interna. El tubo de levante no debe instalarse más arriba de los 75cm (29,5") desde la tabla de techo, y la distancia entre la unidad y el tubo de levante debe ser de menos de 30cm (11,8") (dependiendo de los modelos).

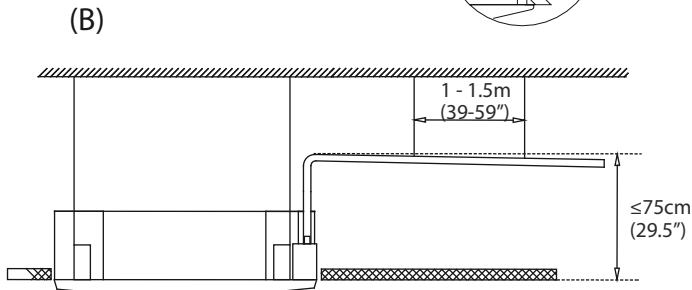
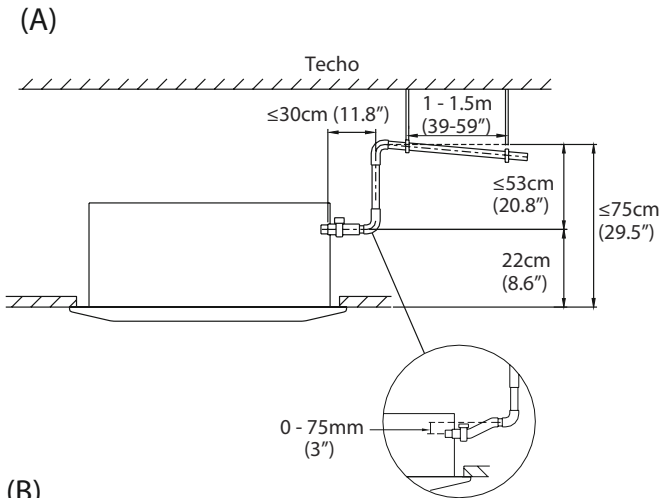
Una instalación inadecuada puede provocar que el agua regrese hacia la unidad y genere derrames.

- Para evitar la formación de burbujas de aire, mantenga la manguera de drenado a nivel o ligeramente inclinada (<75mm / 3") (algunos modelos).



Pase la manguera de drenado a través del agujero de la pared. Asegúrese de que el agua drene en un lugar seguro, donde no se produzcan daños por agua, ni haya riesgos de resbalo.

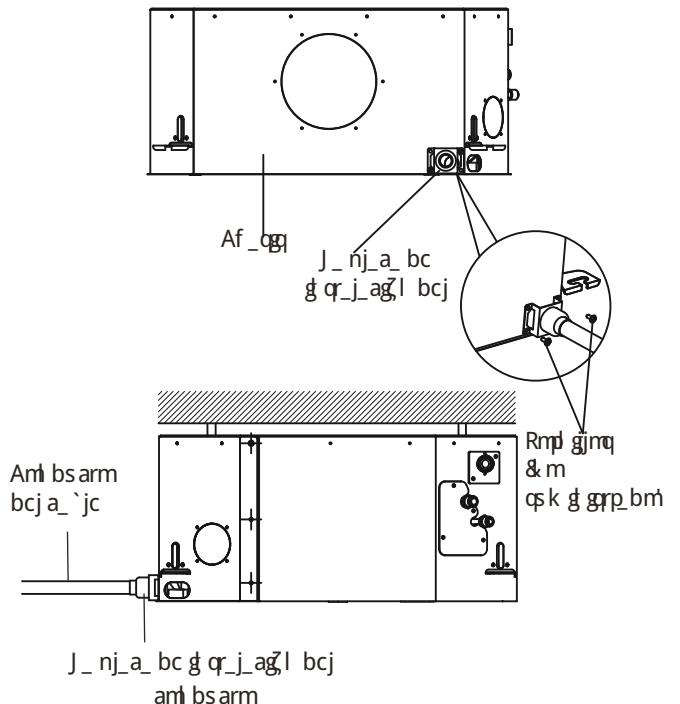
AVISO: La salida del tubo de drenaje debe estar 5cm (1,9") por encima del suelo. Si este toca el suelo, la unidad podría bloquearse y funcionar mal. Si descarga el agua directamente en alguna alcantarilla, asegúrese de que el drenaje tenga un tubo U o S para atrapar los olores que, de lo contrario, saldrían hacia el hogar.



AVISO: Cuando conecto varios tubos de drenaje, instálelos según la siguiente Figura.

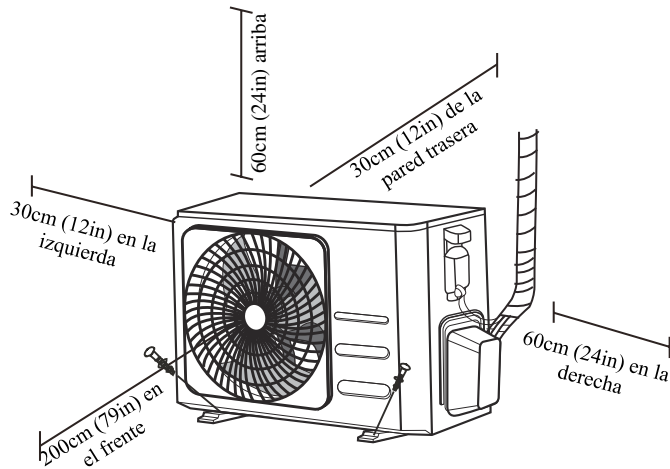
Instalación de la placa del conducto (si es suministrado)

1. Fije el conector de funda (no suministrado) en el agujero del cable de la placa de instalación del conducto.
2. Fije la placa de instalación del conducto en el chasis de la unidad.



Instalación de la Unidad Externa

Instale la unidad siguiendo los códigos y regulaciones locales. Estas pueden variar ligeramente entre las diferentes regiones.



Instrucciones de Instalación: Unidad externa

Paso 1: Seleccione el lugar de la instalación

Antes de instalar la unidad externa, elija un lugar apropiado. A continuación encontrará los estándares que le ayudarán a elegir un lugar adecuado para la unidad.

Estándares para los lugares de instalación adecuados:

- ✓ Cumple con todos los requisitos de espacio que se muestran en los Requisitos de Espacio de arriba.
- ✓ Buena circulación de aire y ventilación.
- ✓ Firmeza y solidez: La ubicación soporta la unidad y no vibra.
- ✓ El ruido de la unidad no molesta a terceros
- ✓ Protegido de la luz directa del sol y la lluvia por tiempos prolongados
- ✓ Cuando se anticipen nevadas, tome las medidas adecuadas para evitar la acumulación de hielo y daños a la bocina.

NO instale la unidad en los siguientes lugares:

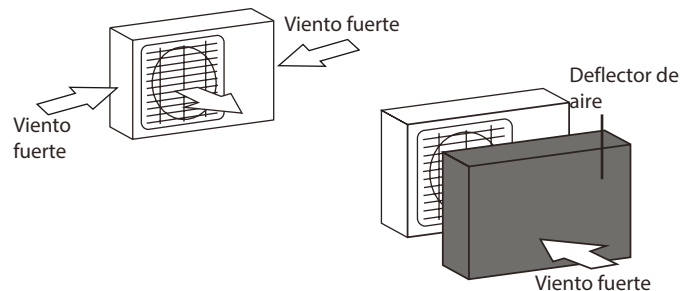
- ⊘ Cerca de un obstáculo que bloquee las entradas y salidas de aire
- ⊘ Cerca de una calle pública, áreas multitudinarias, o donde el ruido de la unidad puede molestar a terceros
- ⊘ Cerca de animales o plantas a los cuales la descarga de aire caliente puede dañar
- ⊘ Cerca de ninguna fuente de gas combustible
- ⊘ En un lugar expuesto a grandes cantidades de polvo
- ⊘ En un lugar expuesto a cantidades excesivas de aire salino

CONSIDERACIONES ESPECIALES PARA CLIMAS EXTREMOS

Si la unidad es expuesta a un viento fuerte:

Instale la unidad de tal manera que su ventilador de salida de aire esté en un ángulo de 90° en la dirección del viento. De ser necesario, construya una barrera en frente de la unidad para protegerla de vientos extremos.

Vea las Figuras de abajo.



Se la unidad es expuesta a lluvias fuertes o nieve:

Construya una protección encima de la unidad para protegerla de la lluvia y la nieve. Tenga cuidado de no obstruir el flujo de aire alrededor de la unidad.

Si la unidad es expuesta con frecuencia a aire salino (al lado del mar):

Use una unidad externa especialmente diseñada para resistir la corrosión.

Paso 2: Instale una unión de drenaje (solo la bomba de calor)

Antes de atornillar la unidad externa en su lugar, debe instalar la unión de drenaje en la parte inferior de la unidad.

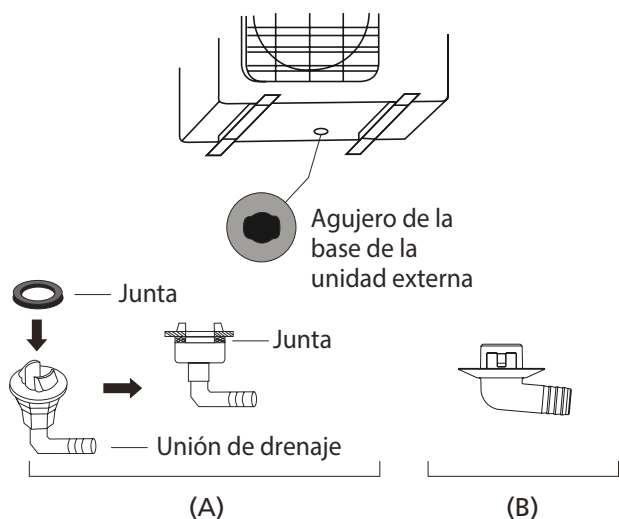
Tenga en cuenta que existen dos tipos diferentes de uniones de drenaje, según el tipo de unidad externa.

Si la unión de drenaje cuenta con una junta de goma (vea la Fig. A), haga lo siguiente:

1. Coloque la junta de goma en el extremo de la junta de drenado que será conectado a la unidad externa.
2. Inserte la unión de drenaje al agujero en la base de la unidad.
3. Gire la unión de drenaje unos 90° hasta que haga clic en su lugar, quedando en frente de la unidad.
4. Conecte una extensión de la manguera de drenado (no incluida) a la junta de drenado, para redireccionar el agua desde la unidad, durante el modo de calentamiento.

Si la unión de drenaje no cuenta con una junta de goma (vea la Fig. B), haga lo siguiente:

1. Inserte la unión de drenaje al agujero en la base de la unidad. La junta de drenado hará un clic en su lugar.
2. Conecte una extensión de la manguera de drenado (no incluida) a la junta de drenado, para redireccionar el agua desde la unidad, durante el modo de calentamiento.



! EN CLIMAS FRÍOS

En climas fríos, asegúrese de que la manguera de drenado esté en una posición vertical, para garantizar un drenaje fluido. Si el agua se drena muy lentamente, esta podría congelarse en la manguera y hacer que la unidad se inunde.

Paso 3: Ancle la unidad externa

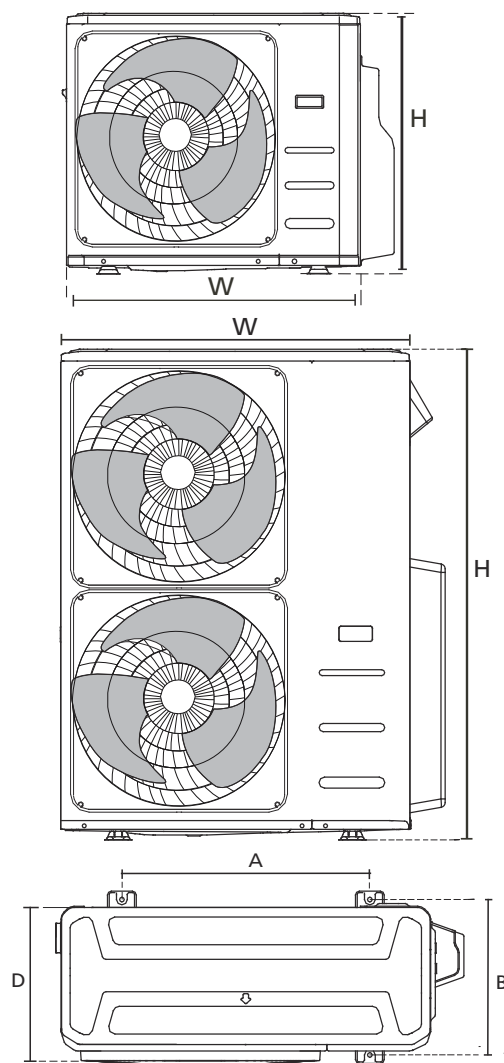
La unidad externa puede ser anclada al suelo o al soporte de pared con un perno (M10). Prepare la base de instalación de la unidad según las dimensiones de abajo.

DIMENSIONES PARA LA INSTALACIÓN DE LA UNIDAD

A continuación se muestra una lista de los diferentes tamaños de las unidades externas, y las distancias entre sus patas de montaje. Prepare la base de instalación de la unidad según las dimensiones de abajo.

Tipos de Unidades Externas y Especificaciones

Unidad Externa de Tipo Dividida

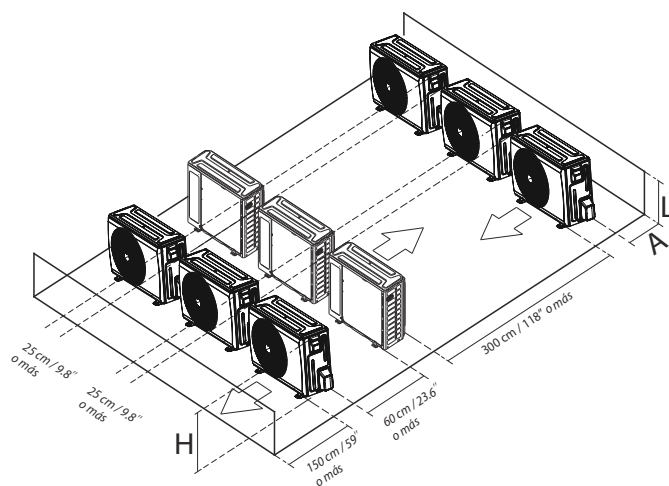


(unidad: mm/in)

Filas de instalación de las diferentes series

Las relaciones entre H, A y L son las siguientes.

	L	A
L ≤ H	L ≤ 1/2H	25 cm / 9,8" o más
	1/2H < L ≤ H	30 cm / 11,8" o más
L > H	No se puede instalar	



Dimensiones de la unidad externa Ancho x Alto x Largo	Dimensiones de la Instalación	
	Distancia A	Distancia B
760x590x285 (29,9x23,2x11,2)	530 (20,85)	290 (11,4)
810x558x310 (31,9x22x12,2)	549 (21,6)	325 (12,8)
845x700x320 (33,27x27,5x12,6)	560 (22)	335 (13,2)
900x860x315 (35,4x33,85x12,4)	590 (23,2)	333 (13,1)
945x810x395 (37,2x31,9x15,55)	640 (25,2)	405 (15,95)
990x965x345 (38,98x38x13,58)	624 (24,58)	366 (14,4)
938x1369x392 (36,93x53,9x15,43)	634 (24,96)	404 (15,9)
900x1170x350 (35,4x46x13,8)	590 (23,2)	378 (14,88)
800x554x333 (31,5x21,8x13,1)	514 (20,24)	340 (13,39)
845x702x363 (33,27x27,6x14,3)	540 (21,26)	350 (13,8)
946x810x420 (37,24x31,9x16,53)	673 (26,5)	403 (15,87)
946x810x410 (37,24x31,9x16,14)	673 (26,5)	403 (15,87)
952x1333x410 (37,5x52,5x16,14)	634 (24,96)	404 (15,9)
952x1333x415 (37,5x52,5x16,34)	634 (24,96)	404 (15,9)
890x673x342 (35x26,5x13,46)	663 (26,1)	354 (13,94)
765x555x303 (30,1x 21,8x 11,9)	452 (17,8)	286(11,3)
805x554x330 (31,7x 21,8x 12,9)	511 (20,1)	317 (12,5)
770x555x300 (30,3x21,8x11,8)	487 (19,2)	298 (11,7)

Instalación de la
Unidad Externa

Conexión de la Tubería del Refrigerante

Cuando conecte las tuberías del refrigerante, **no** deje que ninguna sustancia o gas, que no sean los especificados, ingrese a la unidad. La presencia de otros gases o sustancias reducirá la capacidad de la unidad, y puede causar una presión alta anormal en el reciclo de refrigeración. Esto puede provocar explosiones y lesiones.

AVISO sobre la longitud del tubo

Asegúrese de que la longitud del tubo refrigerante, el número de codos, y la altura de caída entre las unidades internas y externas, cumplan con los requisitos mostrados en la siguiente tabla:

La longitud y altura de caída máxima en base a los modelos (unidad: m/ft.)

Tipo de modelo	Capacidad (Btu/h)	Longitud de la tubería	Altura de caída máxima
Tipo dividido de conversión de frecuencia de la U.E., América del Norte y Australia	<15K	25/82	10/32,8
	≥15K - <24K	30/98,4	20/65,6
	≥24K - <36K	50/164	25/82
	≥36K - ≤60K	75/246	30/98,4
Otro tipo dividido	12K	15/49	8/26
	18K-24K	25/82	15/49
	30K-36K	30/98,4	20/65,6
	42K-60K	50/164	30/98,4



PRECAUCIÓN

Trampas de aceite

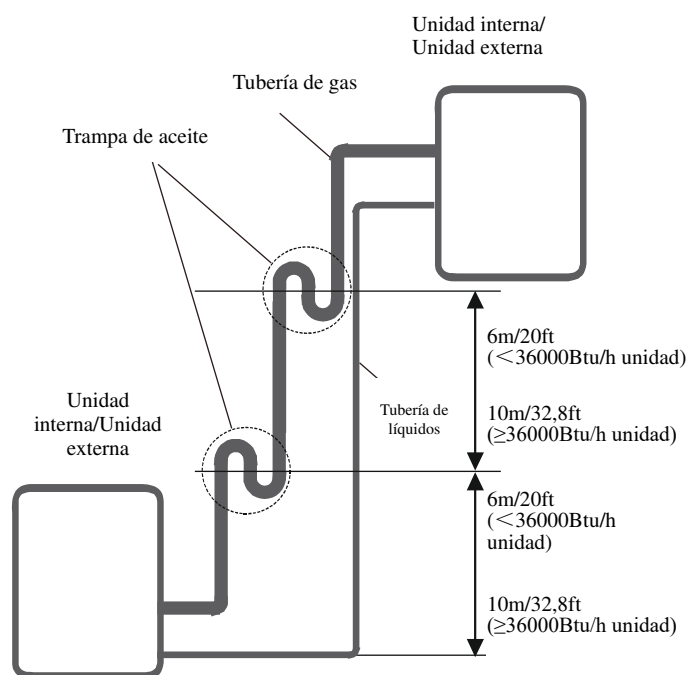
Si el aceite vuelve hacia al compresor de la unidad externa, esto podría causar la compresión de líquidos o la deterioración del regreso de aceite. Las trampas de aceite en la tubería de gas ascendente pueden evitar esto.

Se debe instalar una trampa de aceite cada 6m (20ft) del elevador de la línea de succión vertical.

(<36000Btu/h unidad).

Se debe instalar una trampa de aceite cada 10m (32,8ft) del elevador de la línea de succión vertical.

(≥36000Btu/h unidad).



Instrucciones de conexión-Tubería del refrigerante



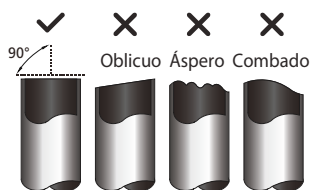
PRECAUCIÓN

- El tubo bifurcado debe ser instalado de forma horizontal. Un ángulo de 10° o más puede causar un mal funcionamiento.
- **NO** instale la tubería de conexión hasta que las unidades internas y externas hayan sido instaladas.
- Aísle la tubería de gas y de líquidos para prevenir las pérdidas de aguas.

Paso 1: Corte los tubos

Cuando prepare las tuberías del refrigerante, tome su tiempo para cortarlas y ensancharlas adecuadamente. Esto garantizará una operación eficiente y minimizará la necesidad de mantenimiento.

1. Mida la distancia entre las unidades internas y externas.
2. Con un cortador de tubos, corte el tubo un poco más largo que la distancia medida.
3. Asegúrese de que el tubo tenga un corte perfecto de 90°.



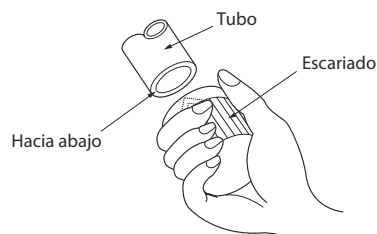
NO DEFORME EL TUBO DURANTE EL CORTE

Tenga cuidado de no dañar, abollar, o demorar el tubo durante el corte. Esto reducirá drásticamente la eficacia de calentamiento de la unidad.

Paso 2: Retire las rebabas.

Las rebabas pueden afectar el sellado hermético de la conexión de la tubería del refrigerante. Estas deben ser retiradas por completo.

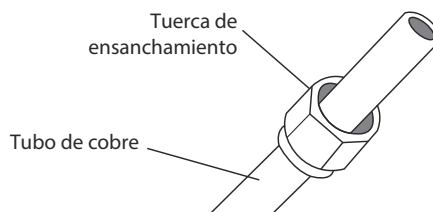
1. Sostenga el tubo con un ángulo descendente para evitar que las rebabas caigan dentro de este.
2. Use un escariado o un desbarbador para sacar todas las rebabas de la sección de corte del tubo.



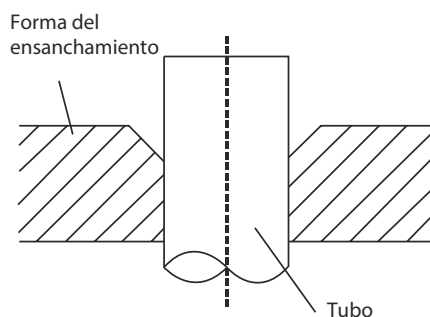
Paso 3: Puntas ensanchadas del tubo

Es necesario un ensanchamiento adecuado para lograr un sellado hermético.

1. Luego de sacar las rebabas del corte del tubo, selle los extremos con cinta PVC para evitar que materiales extraños ingresen al tubo.
2. Cubra el tubo con material de aislamiento.
3. Coloque las tuercas de ensanchamiento en ambos extremos del tubo. Asegúrese de que estos apunten en la dirección correcta, ya que no podrá colocarlos ni cambiar su dirección luego del ensanchamiento.



4. Retire la cinta PVC de ambos extremos del tubo cuando esté listo para realizar el trabajo de ensanchamiento.
5. Sujete la forma del ensanchamiento en el extremo del tubo. El extremo del tubo debe extenderse más allá de la forma del ensanchamiento.



- Coloque la herramienta de ensanchamiento en la forma del ensanchamiento.
- Gire la manija de la herramienta de ensanchamiento en sentido horario hasta que el tubo se haya ensanchado por completo. Ensanche el tubo según las dimensiones.

EXTENSIÓN DE LA TUBERÍA MÁS ALLÁ DE LA FORMA DEL ENSANCHAMIENTO

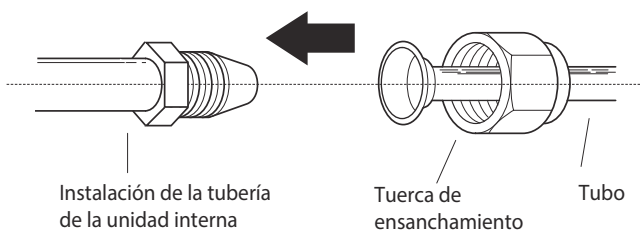
Medidor del tubo	Par de apriete	Dimensión del ensanchamiento (A) (unidad: mm/in)		Forma del ensanchamiento
		Mín.	Máx.	
Ø 6,35	18-20 N,m (183-204 kgf,cm)	8,4/0,33	8,7/0,34	
Ø 9,52	25-26 N,m (255-265 kgf,cm)	13,2/0,52	13,5/0,53	
Ø 12,7	35-36 N,m (357-367 kgf,cm)	16,2/0,64	16,5/0,65	
Ø 16	45-47 N,m (459-480 kgf,cm)	19,2/0,76	19,7/0,78	
Ø 19	65-67 N,m (663-683 kgf,cm)	23,2/0,91	23,7/0,93	
Ø 22	75-85 N,m (765-867 kgf,cm)	26,4/1,04	26,9/1,06	

- Retire la herramienta de ensanchamiento y la forma del ensanchamiento, inspeccione el extremo del tubo en búsqueda de rupturas y ensanchamiento.

Paso 4: Corte los tubos

Primero conecte los tubos de cobre a la unidad interna y luego a la unidad externa. Primero debe conectar el tubo de presión baja y luego el de presión alta.

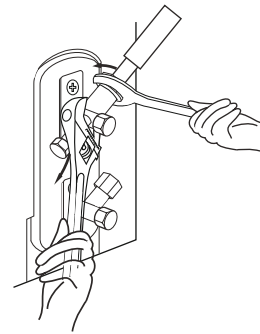
- Cuando conecte las tuercas de ensanchamiento, aplique una capa fina de aceite de refrigeración a los extremos ensanchados de los tubos.
- Alinee el centro de los dos tubos a conectar.



- Ajuste la tuerca de ensanchamiento lo más que pueda con sus manos.
- Con una llave, ajuste la tuerca en la tubería de la unidad.

- Mientras sostiene la tuerca con firmeza, use un torquímetro para ajustar la tuerca ensanchado según los valores de par de apriete en la tabla de arriba.

AVISO: Use una llave y torquímetro cuando conecte o desconecte los tubos de la unidad.



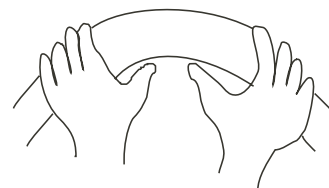
PRECAUCIÓN

- Asegúrese de aislar la tubería. El contacto directo con los tubos puede causar quemaduras o quemaduras por congelación.
- Asegúrese de que el tubo haya sido conectado de forma adecuada. El ajustado excesivo puede dañar la campana del ducto, y ajustar de menos puede causar pérdidas.

AVISO SOBRE EL RADIO DE DOBLADO MÍNIMO

Doble el tubo por el medio con cuidado, según la imagen de abajo. **NO** doble el tubo por encima de los 90°, ni lo doble más de 3 veces.

Doble el tubo con su pulgar



Radio mínimo de 10 cm (3.9'')

- Luego de conectar los tubos de cobre en la unidad interna, envuelva el cable de alimentación, el cable de señal, y el tubo con cinta para ductos.

AVISO: **NO** cruce los cables de señal con otros cables. Cuando junte estos materiales, no cruce ni enrede el cable de señal con otros cables.

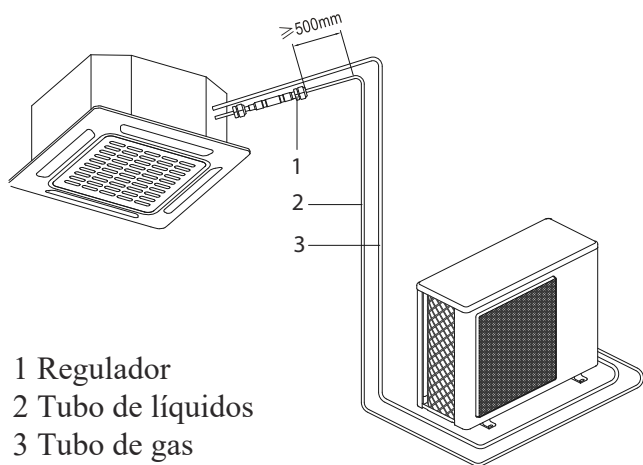
7. Atraviese este tubo por la pared y conéctelo con la unidad externa.
8. Aísle toda la tubería, incluyendo las válvulas de la unidad externa.
9. Abra la válvula de corte de la unidad externa para abrir el flujo del refrigerante entre la unidad interna y la externa.



PRECAUCIÓN

Revise que no existan pérdidas de refrigerante luego de completar el trabajo de instalación. Si existiesen pérdidas, ventile el área de inmediato y evacue el sistema (remítase a la sección de Evacuación de Aire de este manual).

Instalación del Regulador. (algunos modelos)



Precauciones

- Coloque el regulador de forma horizontal, lo más que sea posible, para garantizar su eficacia.

Interior Exterior



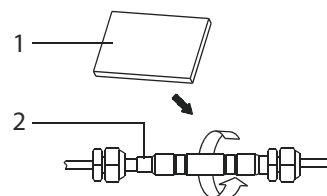
Interior Exterior



Interior Exterior



- Envuelva la goma antigolpes suministrada en el regulador externo para reducir ruidos.



- 1 Goma antigolpes
2 Regulador

⚠ ANTES DE REALIZAR CUALQUIER TRABAJO ELÉCTRICO, LEA ESTE REGLAMENTO

1. Todo el cableado debe cumplir con los códigos eléctricos y regulaciones locales y nacionales, y debe ser instalado por un electricista con licencia.
2. Todas las conexiones eléctricas deben hacerse según el Diagrama de Conexión Eléctrica, la cual se encuentra en los paneles de la unidad interna y la unidad externa.
3. Si hay un problema de seguridad grave con el suministro de energía, detenga el trabajo inmediatamente. Explique la razón al cliente, y rehúse a instalar la unidad hasta que el problema de seguridad sea haya resuelto de forma apropiada.
4. La tensión de alimentación debe estar dentro del 90-110% de la tensión nominal. El suministro eléctrico insuficiente puede causar un mal funcionamiento, una descarga eléctrica o un incendio.
5. Si se conecta la corriente a un cableado fijo, se debe instalar un protector de sobretensión y un interruptor de alimentación principal.
6. Si se conecta la corriente a un cableado fijo, se debe incorporar un interruptor o disyuntor que desconecte todos los polos y que tenga una separación de contactos de al menos 1/8in (3mm). El técnico cualificado debe utilizar un interruptor o disyuntor de circuito aprobado.
7. Conecte la unidad a una salida de circuito individual únicamente. No conecte otro aparato a esa salida.
8. Asegúrese de poner el acondicionador de aire a tierra.
9. Cada cable debe estar firmemente conectado. Un cableado flojo puede causar que el terminal se sobrecaliente, lo cual puede causar un mal funcionamiento del producto y un posible incendio.
10. No deje que los cables toquen o se apoyen en la tubería del refrigerante, el compresor o cualquier otra pieza móvil dentro de la unidad.
11. Si la unidad tiene un calentador eléctrico auxiliar, debe instalarse al menos a 1 metro (40in) de distancia de cualquier material combustible.
12. Para evitar una descarga eléctrica, nunca toque los componentes eléctricos poco después de que se haya apagado el suministro eléctrico. Después de apagar el dispositivo, espere 10 minutos o más antes de tocar los componentes eléctricos.

13. Asegúrese de no cruzar el cableado eléctrico con el de señales. Esto puede causar distorsiones e interferencias.
14. La unidad debe estar conectada al tomacorriente principal. Normalmente, la fuente de alimentación debe tener una impedancia de 32 ohmios.
15. Ningún otro equipo debe estar conectado al mismo circuito de alimentación.
16. Conecte los cables exteriores antes de conectar los cables interiores.



ADVERTENCIA

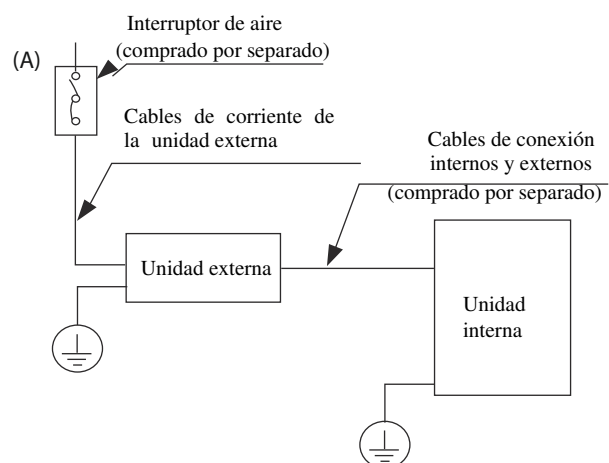
ANTES DE REALIZAR CUALQUIER TRABAJO ELÉCTRICO O DE CABLEADO, CORTE LA ALIMENTACIÓN PRINCIPAL DEL SISTEMA.

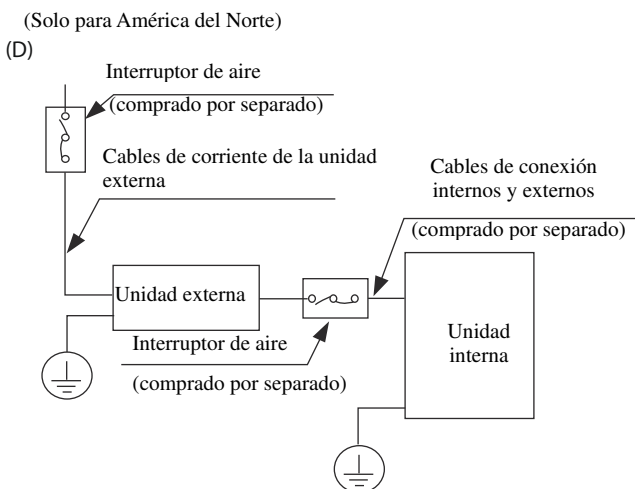
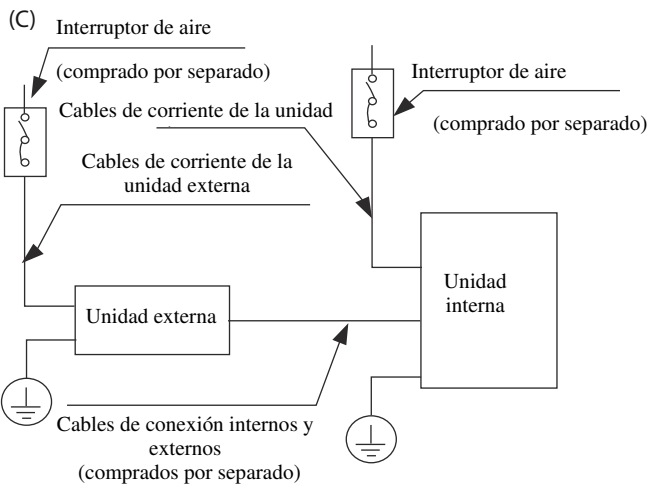
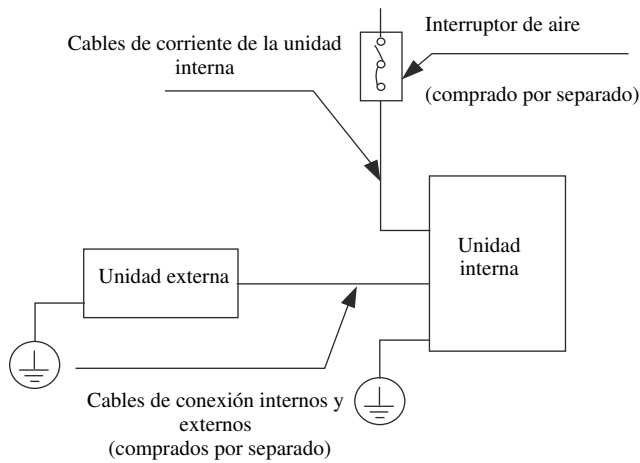
AVISO SOBRE EL INTERRUPTOR DE AIRE

Cuando la corriente máxima del acondicionador de aire sea superior a 16A, se utilizará un interruptor de aire o un interruptor de protección contra fugas con dispositivo de protección (comprado por separado).

Cuando la corriente máxima del acondicionador de aire sea inferior a 16A, el cable de alimentación del acondicionador de aire deberá contar con un enchufe (comprado por separado).

En América del Norte, el electrodoméstico debe ser cableado según los requisitos de NEC y CEC.





AVISO: Los gráficos son solo de fin explicatorio. Su máquina puede ser un poco diferente. Prevalecerá la forma real del producto.

Cableado de la unidad externa



ADVERTENCIA

Antes de realizar cualquier trabajo eléctrico o de cableado, corte la corriente principal al sistema.

1. Prepare el cable para su conexión
 - a. Primero debe elegir el tamaño correcto del cable. Asegúrese de usar los cables H07RN-F cables.

AVISO: En América del Norte, elija el tipo de cable según los códigos y regulaciones locales de electricidad.

El Área Transversal Mínima de los Cables de Corriente y Señal (Para Referencia)

Corriente Nominal del Electrodoméstico (A)	Área Transversal Nominal (mm ²)
> 3 y ≤ 6	0,75
> 6 y ≤ 10	1
> 10 y ≤ 16	1,5
> 16 y ≤ 25	2,5
> 25 y ≤ 32	4
> 32 y ≤ 40	6

ELIJA UN CABLE DE TAMAÑO ADECUADO

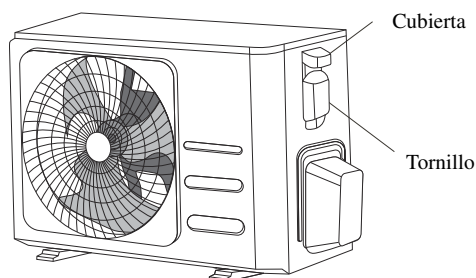
El tamaño del cable de alimentación, cable de señal, fusible, e interruptor, se determina en base a la corriente máxima de la unidad. La corriente máxima está indicada en la placa de especificaciones de la unidad, en su panel lateral. Remítase a esta placa de especificaciones para elegir el tamaño indicado del cable, fusible, o interruptor.

AVISO: En América del Norte, elija el tamaño del cable según la Ampacidad Mínima del Circuito que se indicada en la placa de especificaciones de la unidad.

- b. Con un pelacables, retire la goma de ambos extremos del cable de señal para dejar expuesto 15cm (5,9") de cable.
- c. Pele el aislamiento de ambos extremos.
- d. Con una pinza de engarce, coloque las orejetas en forma de U en los extremos del cable.

AVISO: Cuando conecte los cables, siga el diagrama de cableado que se encuentra dentro de la cubierta de la caja eléctrica.

- Retira la cubierta eléctrica de la unidad externa. Si la unidad externa no tiene una cubierta, extraiga los pernos del tablero de mantenimiento y retire el tablero de protección.

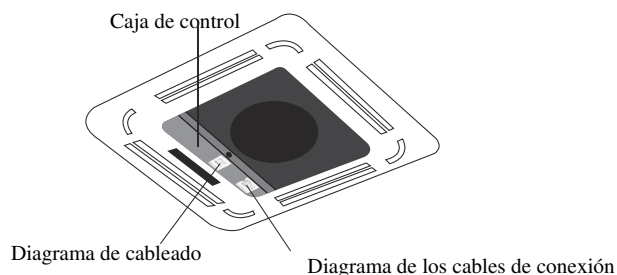
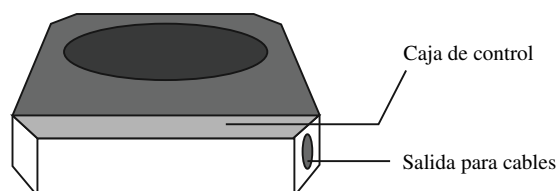


- Conecte las orejetas en forma de U a las terminales. Empareje los colores/etiquetas de los cables en el bloque terminal. Atornille con firmeza la orejeta en forma de U de cada cable a su terminal correspondiente.
- Apriete el cable con la abrazadera de cables.
- Aísle los cables sin uso con cinta aisladora. Manténgalos alejados de las partes eléctricas y metálicas.
- Vuelva a colocar la cubierta de la caja de control eléctrico.

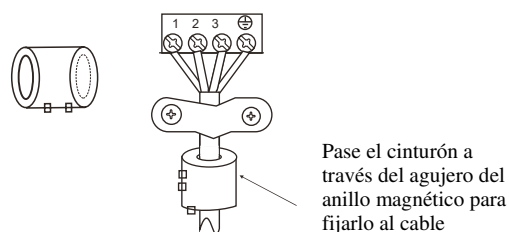
Cableado de la Unidad Interna

- Prepare el cable para su conexión
 - Con un pelacables, retire la goma de ambos extremos del cable de señal para dejar expuesto 15cm (5,9") de cable.
 - Pele el aislamiento de ambos extremos de los cables.
 - Con una pinza de engarce, coloque las orejetas en forma de U en los extremos de los cables.
- Abra el panel frontal de la unidad interna. Con un destornillador, remueva la cubierta de la caja de control eléctrico de su unidad interna.
- Atraviese el cable de alimentación y el cable de señal a través de la salida para cables.
- Conecte las orejas en forma de U a las terminales. Empareje los colores/etiquetas de los cables en el bloque terminal. Atornille con firmeza la orejeta en forma de U de cada cable a su terminal correspondiente. Remítase al Número de Serie y al Diagrama de Cableado en la cubierta de la caja de control eléctrico.

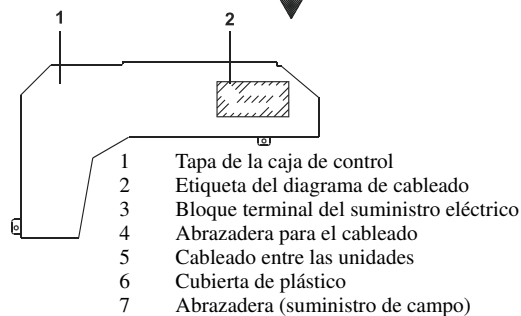
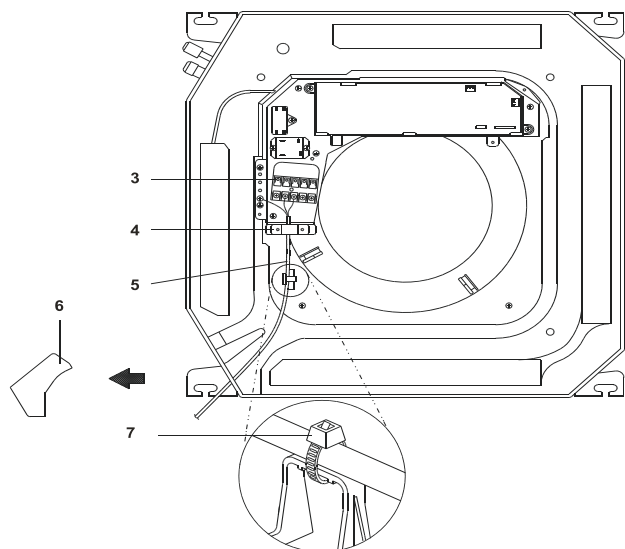
Modelos súper delgados



Anillo magnético (si fue suministrado junto a los accesorios)



Modelos compactos





PRECAUCIÓN

- Mientras conecta los cables, siga estrictamente el diagrama de cableado.
 - El circuito del refrigerante puede calentarse mucho. Mantenga el cable de interconexión alejado del tubo de cobre.
5. Sujete el cable con la abrazadera de cables. El cable no debe estar suelto ni debe tirar de las orejetas en U.
 6. Vuelva a colocar la cubierta de la caja eléctrica.

Especificaciones de potencia (No aplicable en América del Norte)

AVISO: El disyuntor/fusible eléctrico auxiliar de calefacción debe añadir más de 10 A.

Especificaciones de suministro de eléctrica para el interior

MODEL(Btu/h)		≤18K	19K-24K	25K-36K	37K-48K	49K-60K
POTENCIA A	FASE	1 Fase	1 Fase	1 Fase	1 Fase	1 Fase
	VOLTAJE	208-240V	208-240V	208-240V	208-240V	208-240V
DISYUNTOR/FUSIBLE(A)		25/20	32/25	50/40	70/55	70/60

MODEL(Btu/h)		≤36K	37K-60K	≤36K	37K-60K
POTENCIA	FASE	3 Fases	3 Fases	3 Fases	3 Fases
	VOLTAJE	380-420V	380-420V	208-240V	208-240V
DISYUNTOR/FUSIBLE(A)		25/20	32/25	32/25	45/35

Especificaciones del Suministro Eléctrico en el Exterior

MODEL(Btu/h)		≤18K	19K-24K	25K-36K	37K-48K	49K-60K
POTENCIA A	FASE	1 Fase	1 Fase	1 Fase	1 Fase	1 Fase
	VOLTAJE	208-240V	208-240V	208-240V	208-240V	208-240V
DISYUNTOR/FUSIBLE(A)		25/20	32/25	50/40	70/55	70/60

MODEL(Btu/h)		≤36K	37K-60K	≤36K	37K-60K
POTENCIA	FASE	3 Fases	3 Fases	3 Fases	3 Fases
	VOLTAJE	380-420V	380-420V	208-240V	208-240V
DISYUNTOR/FUSIBLE(A)		25/20	32/25	32/25	45/35

Especificaciones del Suministro Eléctrico Independiente

MODEL(Btu/h)		≤18K	19K~24K	25K~36K	37K~48K	49K~60K
POTENCIA (interior)	FASE	1 Fase	1 Fase	1 Fase	1 Fase	1 Fase
	VOLTAJE	208-240V	208-240V	208-240V	208-240V	208-240V
DISYUNTOR/FUSIBLE(A)		15/10	15/10	15/10	15/10	15/10
POTENCIA (exterior)	FASE	1 Fase	1 Fase	1 Fase	1 Fase	1 Fase
	VOLTAJE	208-240V	208-240V	208-240V	208-240V	208-240V
DISYUNTOR/FUSIBLE(A)		25/20	32/25	50/40	70/55	70/60

MODEL(Btu/h)		≤36K	37K~60K	≤36K	37K~60K
POTENCIA (interior)	FASE	1 Fase	1 Fase	1 Fase	1 Fase
	VOLTAJE	208-240V	208-240V	208-240V	208-240V
DISYUNTOR/FUSIBLE(A)		15/10	15/10	15/10	15/10
POTENCIA (exterior)	FASE	3 Fases	3 Fases	3 Fases	3 Fases
	VOLTAJE	380-420V	380-420V	208-240V	208-240V
DISYUNTOR/FUSIBLE(A)		25/20	32/25	32/25	45/35

Especificaciones de Corriente del Inversor Tipo A/C

MODEL(Btu/h)		≤18K	19K~24K	25K~36K	37K~48K	49K~60K
POTENCIA (interior)	FASE	1 Fase	1 Fase	1 Fase	1 Fase	1 Fase
	VOLTAJE	220-240V	220-240V	220-240V	220-240V	220-240V
DISYUNTOR/FUSIBLE(A)		15/10	15/10	15/10	15/10	15/10
POTENCIA (exterior)	FASE	1 Fase	1 Fase	1 Fase	1 Fase	1 Fase
	VOLTAJE	208-240V	208-240V	208-240V	208-240V	208-240V
DISYUNTOR/FUSIBLE(A)		25/20	25/20	40/30	50/40	50/40

MODEL(Btu/h)		≤36K	37K~60K	≤36K	37K~60K
POTENCIA (interior)	FASE	1 Fase	1 Fase	1 Fase	1 Fase
	VOLTAJE	220-240V	220-240V	220-240V	220-240V
DISYUNTOR/FUSIBLE(A)		15/10	15/10	15/10	15/10
POTENCIA (exterior)	FASE	3 Fases	3 Fases	3 Fases	3 Fases
	VOLTAJE	380-420V	380-420V	208-240V	208-240V
DISYUNTOR/FUSIBLE(A)		25/20	32/25	32/25	40/30

Evacuación de Aire

Preparativos y Precauciones

El aire y las materias extrañas en el circuito de refrigerante pueden causar aumentos anormales de presión, lo que puede dañar el acondicionador de aire, reducir su eficiencia y causar lesiones. Utilice una bomba de vacío y el manómetro del colector para evacuar el circuito del refrigerante, eliminando cualquier gas no condensable y la humedad del sistema.

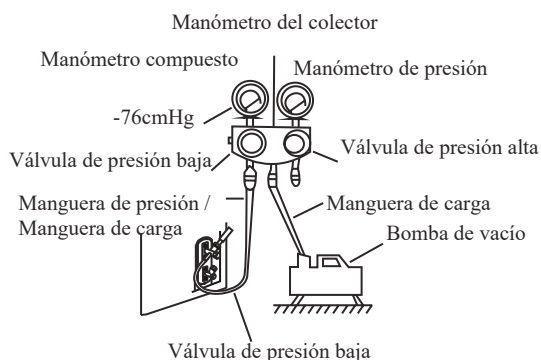
La evacuación debe realizarse en la instalación inicial y cuando se reubique la unidad.

ANTES DE REALIZAR LA EVACUACIÓN

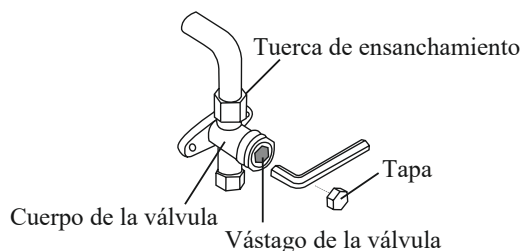
- ☑ Compruebe que los tubos de conexión entre las unidades interiores y exteriores estén bien conectados.
- ☑ Compruebe que todos los cables estén conectados correctamente.

Instrucciones de la evacuación

1. Conecte la manguera de carga del manómetro del colector al puerto de servicio de la válvula de presión baja de las unidades exteriores.
2. Conecte otra manguera de carga del manómetro colector a la bomba de vacío.
3. Abra el lado de Presión Baja del manómetro del colector. Mantenga el lado de Presión Alta cerrado.
4. Encienda la bomba de vacío para evacuar el sistema.
5. Haga funcionar la bomba de vacío durante al menos 15 minutos, o hasta que el medidor de compuestos indique -76cmHg (-10^5Pa).



6. Cierre el lado de Presión Baja del manómetro y apague la bomba de vacío.
7. Espere 5 minutos, luego compruebe que no haya habido cambios en la presión del sistema.
8. Si hay un cambio en la presión del sistema, consulte la sección Comprobación de fugas de gas para obtener información sobre cómo comprobar la existencia de fugas. Si no hay cambios en la presión del sistema, desenrosque la tapa
9. de la válvula empaquetada (válvula de presión alta). Inserte la llave hexagonal en la válvula empaquetada (válvula de presión alta) y abra la válvula girando la llave un cuarto de vuelta en sentido antihorario. Escuche si el gas sale del sistema, y luego cierre la válvula después de 5 segundos.
10. Observe el manómetro de presión durante un minuto para asegurarse de que no hay cambios en la presión. El manómetro de presión debe indicar una presión ligeramente superior a la presión atmosférica.
11. Retire la manguera de carga del puerto de servicio.



12. Con una llave hexagonal, abra las válvulas de alta y presión baja por completo.
13. Apriete a mano las tapas de las tres válvulas (puerto de servicio, presión alta, presión baja). De ser necesario, puede apretarlas más con una llave dinamométrica.

! ABRA LOS VÁSTAGOS DE LA VÁLVULA CON SUAVIDAD

Al abrir los vástagos de la válvula, gira la llave hexagonal hasta que choque contra el tapón. No intente forzar la válvula para abrirla más.

Aviso sobre la añadido de refrigerante

Algunos sistemas requieren una carga adicional dependiendo de la longitud del tubo. La longitud estándar del tubo varía según las regulaciones locales. Por ejemplo, en América del Norte, la longitud estándar de la tubería es de 7,5 m (25').

En otras zonas, la longitud de tubo estándar es de 5m (16'). El refrigerante debe cargarse en el puerto de servicio de la válvula de presión baja de la unidad exterior. El refrigerante adicional a cargar puede calcularse mediante la siguiente fórmula:

	Diámetro del lado líquido		
	φ6,35(1/4")	φ9,52(3/8")	φ12,7(1/2")
R22 (tubo del orificio en la unidad interior):	(Longitud total del tubo - longitud de tubo estándar)x 30g (0,32oZ)/m(ft)	(Longitud total del tubo - longitud de tubo estándar)x 65g(0,69oZ)/m(ft)	(Longitud total del tubo - longitud de tubo estándar)x 115g (1,23oZ)/m(ft)
R22 (tubo orificio en la unidad exterior):	(Longitud total del tubo - longitud de tubo estándar) x15g (0,16oZ)/m(ft)	(Longitud total del tubo - longitud de tubo estándar) x30 (0,32oZ)/m(ft)	(Longitud total del tubo - longitud de tubo estándar) x60g (0,64oZ)/m(ft)
R410A: (tubo del orificio en la unidad interior):	(Longitud total del tubo - longitud de tubo estándar) x30g (0,32oZ)/m(ft)	(Longitud total del tubo - longitud de tubo estándar) x65g (0,69oZ)/m(ft)	(Longitud total del tubo - longitud de tubo estándar) x115g (1,23oZ)/m(ft)
R410A: (tubo orificio en la unidad exterior):	(Longitud total del tubo - longitud de tubo estándar) x15g (0,16oZ)/m(ft)	(Longitud total del tubo - longitud de tubo estándar) x30g (0,32oZ)/m(ft)	(Longitud total del tubo - longitud de tubo estándar) x65g (0,69oZ)/m(ft)
R32 :	(Longitud total del tubo - longitud de tubo estándar)x 12g (0,13oZ)/m(ft)	(Longitud total del tubo - longitud de tubo estándar)x 24g (0,26oZ)/m(ft)	(Longitud total del tubo - longitud de tubo estándar)x 40g (0,42oZ)/m(ft)



PRECAUCIÓN: No mezcle los tipos de refrigerantes.

Instalación del Panel



PRECAUCIÓN

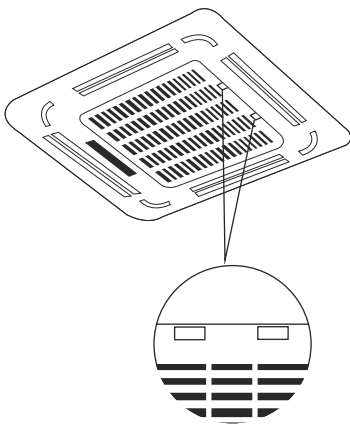
NO coloque el panel boca abajo en el suelo, contra una pared o en superficies irregulares.

(A)

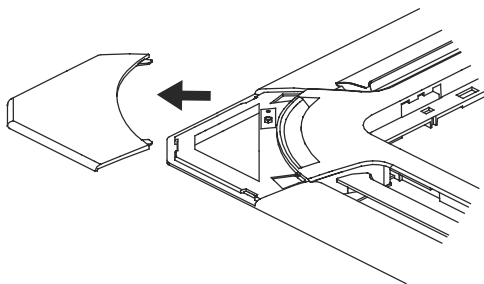
Modelos súper delgados

Paso 1: Retire la rejilla frontal.

1. Empuje las dos pestañas hacia el centro simultáneamente para desbloquear el gancho de la rejilla.
2. Sostenga la rejilla en un ángulo de 45°, levántela ligeramente y sepárela del cuerpo principal.



Paso 2: Retire las cubiertas de instalación de las cuatro esquinas deslizándolas hacia afuera.

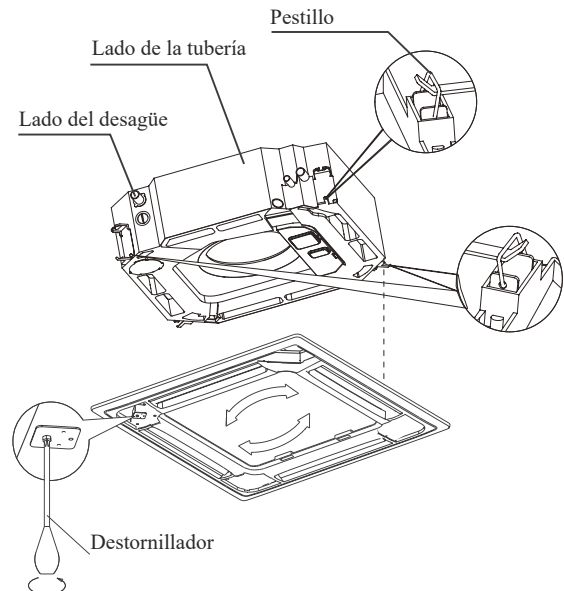


Paso 3: Instale el panel

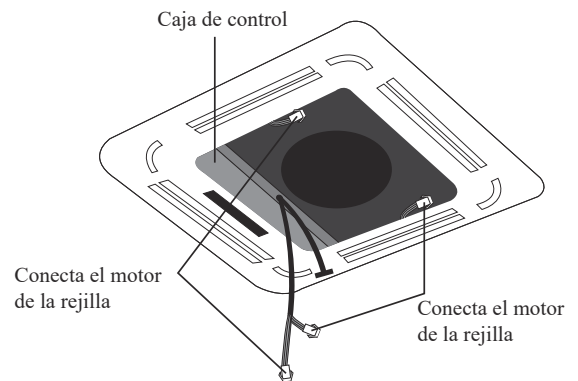
Alinee el panel frontal con el cuerpo principal, teniendo en cuenta la posición de las tuberías y los lados del desagüe. Cuelgue los cuatro pestillos del panel de decoración en los ganchos de la unidad interior. Apriete los tornillos de los ganchos del panel de forma uniforme en las cuatro esquinas.

AVISO: Apriete los tornillos hasta que el grosor de la esponja entre el cuerpo principal y el panel se reduzca a 4-6mm (0,2-0,3"). El borde del panel debe estar en contacto con el pozo del techo.

Ajuste el panel girándolo en la dirección de la flecha para que la abertura del techo quede completamente cubierta.

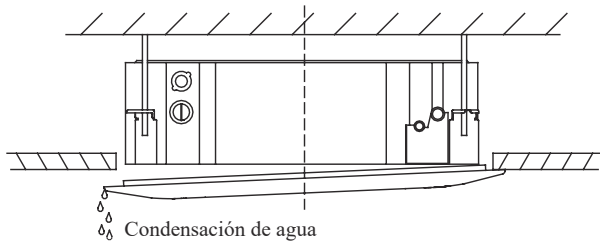


1. Conecta los dos conectores del motor de la rejilla a los cables correspondientes en la caja de control.



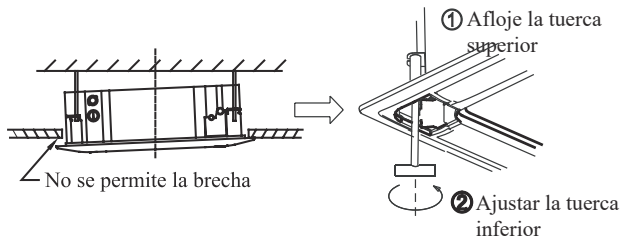
2. Retire los toques de espuma del interior del ventilador.
3. Fije el costado de la rejilla delantera al panel.
4. Conecte el cable de la pantalla al cable correspondiente en el cuerpo principal.
5. cierre la rejilla delantera.
6. Sujete las cubiertas de instalación en las cuatro esquinas empujándolas hacia adentro.

NOTA: Si es necesario ajustar la altura del dispositivo interior, puede ajustarla a través de las aperturas en las cuatro esquinas del panel. Asegúrese de que el cableado interior y la tubería de drenaje no se vean afectados por este ajuste."



PRECAUCIÓN

Si no se ajustan los tornillos, se puede producir una fuga de agua.



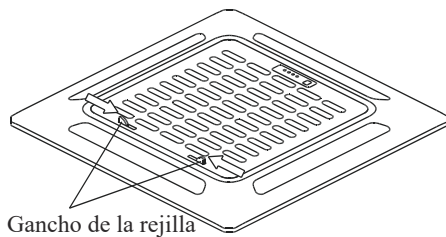
PRECAUCIÓN

Si la unidad no se cuelga correctamente y existe un hueco, la altura de la unidad debe ser ajustada para asegurar su correcto funcionamiento. La altura de la unidad puede ser ajustada aflojando la tuerca superior y ajustando la inferior.

Modelos compactos

Paso 1: Retire la rejilla frontal.

1. Empuje las dos pestañas hacia el centro simultáneamente para desbloquear el gancho de la rejilla.

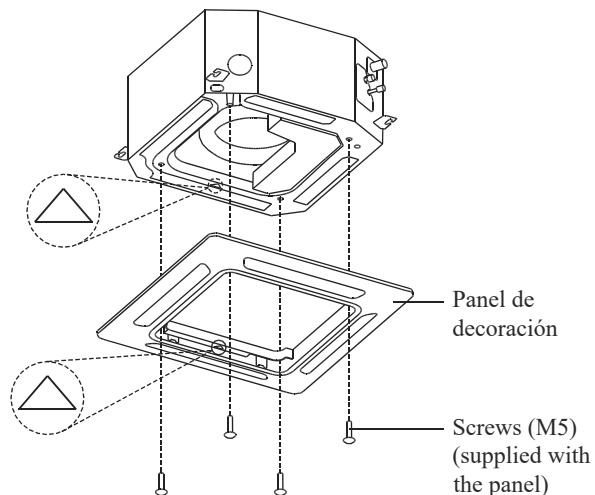


2. Sostenga la rejilla en un ángulo de 45°, levántela ligeramente y sepárela del cuerpo principal.

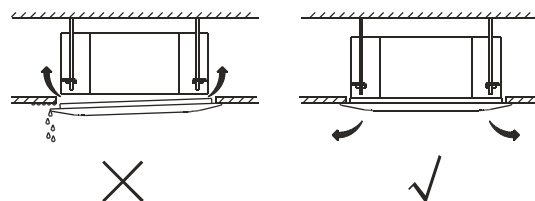
Paso 2: Instale el panel

Alinee la indicación "△" en el panel de decoración con la indicación "△" en la unidad.

Fije el panel de decoración a la unidad con los tornillos suministrados, como se muestra en la siguiente figura.

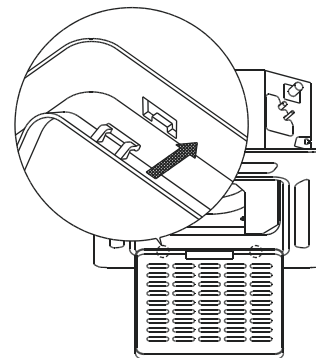


Después de instalar el panel de decoración, asegúrese de que no haya espacio entre el cuerpo de la unidad y el panel de decoración. De lo contrario, el aire puede filtrarse a través del espacio y causar rocíos. (Véase la figura de abajo)

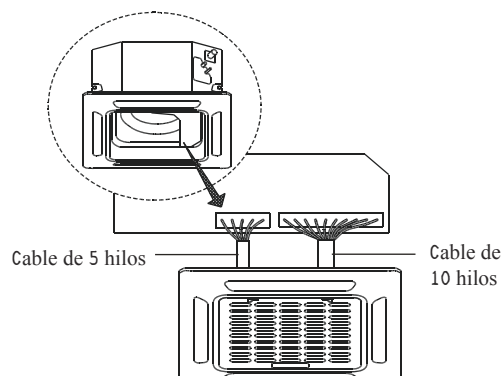


Paso 3: Monte la rejilla de admisión.

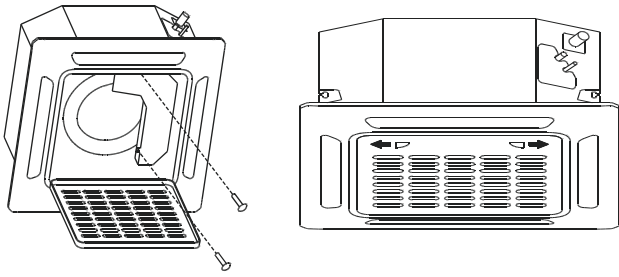
Ensure that the buckles at the back of the grille be properly seated in the groove of the panel.



Paso 4: Conecte los 2 cables del panel de decoración a la placa base de la unidad.



Paso 5: Sujete la tapa de la caja de control con 2 tornillos.



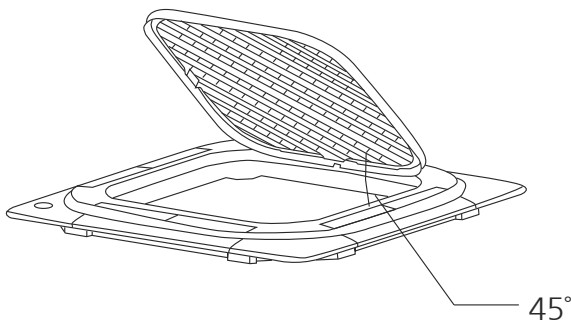
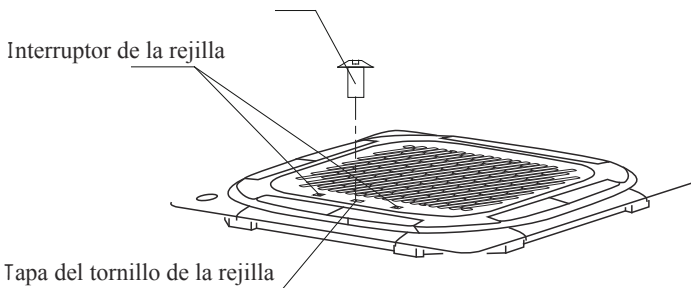
Paso 6: Cierre la rejilla de entrada y cierre las 2 rejillas con las manos.

(B)

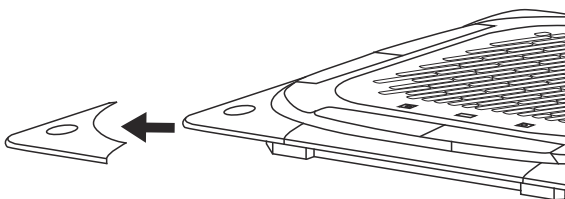
Paso 1: Retire la rejilla delantera.

1. Empuje ambas pestañas hacia el centro simultáneamente para desbloquear el gancho de la rejilla.
2. Sostenga la rejilla en un ángulo de 45°, levántela ligeramente y sepárela del cuerpo principal.

Retire los tornillos de la rejilla.



Paso 2: Retire las cubiertas de instalación en las cuatro esquinas deslizándolas hacia afuera.

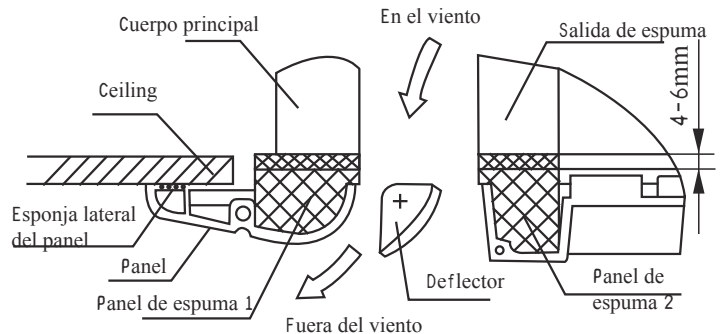
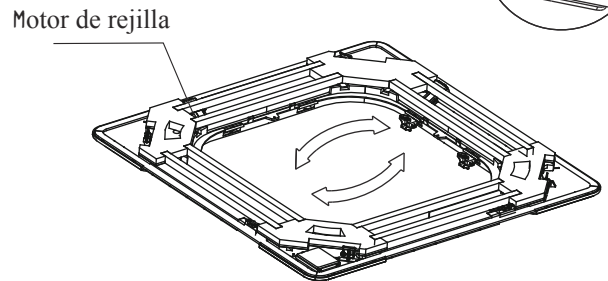
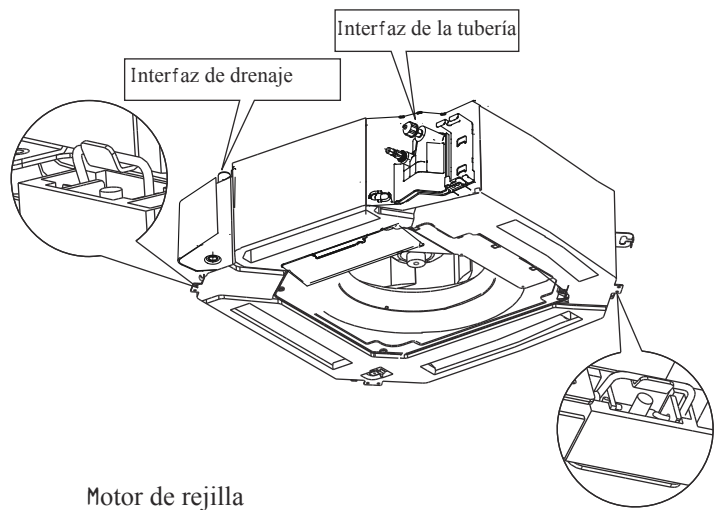


Paso 3: Instale el panel

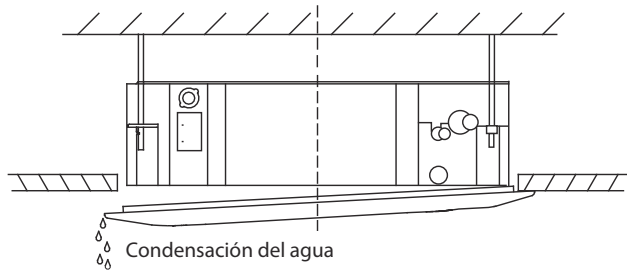
Alinee el panel frontal con el cuerpo principal, teniendo en cuenta la posición de las tuberías y los lados del desagüe. Cuelgue los cuatro pestillos del panel de decoración en los ganchos de la unidad interior. Apriete los tornillos de los ganchos del panel de forma uniforme en las cuatro esquinas.

AVISO: Apriete los tornillos hasta que el grosor de la esponja entre el cuerpo principal y el panel se reduzca a 4-6mm (0,2-0,3"). El borde del panel debe estar en contacto con el pozo del techo.

Ajuste el panel girándolo en la dirección de la flecha para que la abertura del techo quede completamente cubierta.

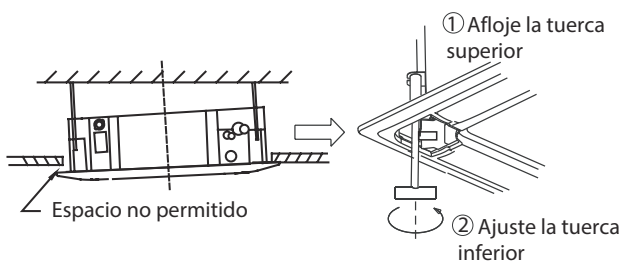


NOTA: Si es necesario ajustar la altura del dispositivo interior, puede ajustarla a través de las aperturas en las cuatro esquinas del panel. Asegúrese de que el cableado interior y la tubería de drenaje no se vean afectados por este ajuste



⚠ PRECAUCIÓN

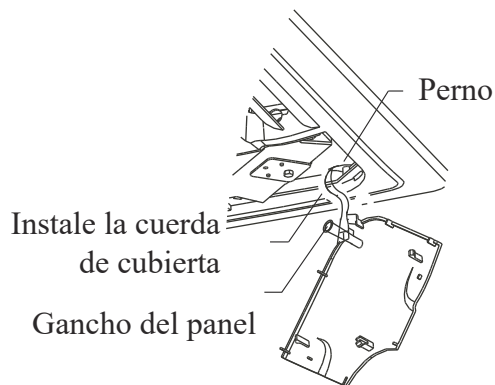
Si no se aprietan los tornillos, se pueden producir fugas de agua.



⚠ PRECAUCIÓN

Si el dispositivo no se cuelga correctamente y existe un espacio, se debe ajustar la altura del dispositivo para garantizar un funcionamiento adecuado. La altura del dispositivo se puede ajustar aflojando la tuerca superior y ajustando la tuerca inferior.

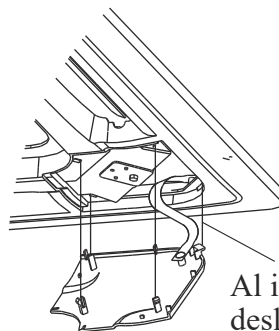
Cuelgue la rejilla de entrada en el panel, y luego conecte los conectores de plomo del motor de la rejilla y la caja de control en el panel a los conectores correspondientes del cuerpo principal.



Reinstalado en la rejilla de estilo.

Reinstalar la cubierta de la instalación.

Fije la cuerda de la cubierta de instalación al pilar de la cubierta de instalación, y presione suavemente la cubierta de instalación en el panel.



Al instalar la cubierta, deslice los cuatro sujetadores deslizantes en las ranuras correspondientes del panel.

AVISO: Después de la instalación, los tapones de la pantalla, el balanceo, la bomba de agua y los otros cables deben ser colocados en la caja de control eléctrico.

Puesta en Marcha de Prueba

Antes de la Puesta en Marcha de Prueba

Se debe realizar una prueba después de que todo el sistema haya sido instalado completamente. Confirme los siguientes puntos antes de realizar la prueba:

- a) Las unidades interiores y exteriores están correctamente instaladas.
- b) Las tuberías y el cableado están bien conectados.
- c) No existen cerca de la entrada y la salida de la unidad que puedan causar un rendimiento deficiente o un mal funcionamiento del producto.
- d) El sistema de refrigeración no tiene fugas.
- e) El sistema de drenaje no tiene impedimentos y drena a un lugar seguro.
- f) El aislamiento térmico está bien instalado.
- g) Los cables de tierra están bien conectados.
- h) Se ha registrado la longitud de las tuberías y la capacidad adicional de almacenamiento de refrigerante.
- i) La tensión eléctrica es la correcta para el acondicionador de aire.



PRECAUCIÓN

Si no se realiza la puesta en marcha de prueba, se pueden producir daños en la unidad, daños a la propiedad o lesiones personales.

Instrucciones para la Puesta en Marcha de Prueba

1. Abre las válvulas de cierre de líquidos y gases.
2. Encienda el interruptor principal y deje que la unidad se caliente.
3. Ponga el acondicionador de aire en el modo de ENFRÍADO.
4. Para la Unidad Interior
 - a. Asegúrese de que el control remoto y sus botones funcionen correctamente.
 - b. Asegúrese de que las rejillas se mueven correctamente y pueden cambiarse con el control remoto.
 - c. Compruebe que la temperatura ambiente se registre correctamente.
 - d. Asegúrese de que los indicadores del control remoto y el panel de visualización de la unidad interior funcionen correctamente.
 - e. Asegúrese de que los botones manuales de la unidad interior funcionan correctamente.

- f. Compruebe que el sistema de drenaje no tenga obstáculos y que drene con fluidez.
- g. Asegúrese de que no haya vibraciones o ruidos anormales durante el funcionamiento.

5. Para la Unidad Exterior

- a. Compruebe si el sistema de refrigeración tiene fugas.
- b. Asegúrese de que no haya vibraciones o ruidos anormales durante el funcionamiento.
- c. Asegúrese de que el viento, el ruido y el agua que genera la unidad no molesten a sus vecinos ni supongan un peligro para la seguridad.

6. Prueba de Drenaje

- a. Asegúrate de que el tubo de drenaje fluya sin problemas. Los edificios nuevos deben realizar esta prueba antes de terminar el techo.
- b. Retire la cubierta de la prueba. Añada 2.000 ml de agua al tanque a través del tubo adjunto.
- c. Encienda el interruptor principal y ponga el aire acondicionado en modo ENFRÍADO.
- d. Escuche el sonido de la bomba de desagüe para ver si hace algún ruido inusual.
- e. Compruebe que el agua sea descargada. Puede pasar hasta un minuto antes de que la unidad comience a drenar, dependiendo del tubo de drenaje.
- f. Asegúrese de que no haya fugas en ninguna de las tuberías.
- g. Pare el acondicionador de aire. Apague el interruptor principal y vuelva a instalar la cubierta de prueba.

AVISO: Si la unidad funciona mal o no funciona según lo esperado, consulte la sección de resolución de problemas del Manual del Propietario antes de llamar al servicio de atención al cliente.

Embalaje y desembalaje del dispositivo

Instrucciones para embalar y desembalar el dispositivo

Desembalaje:

Dispositivo interior:

1. Corte la cinta del embalaje.
2. Desempaque.
3. Saque el cojín de embalaje y el soporte de embalaje.
4. Retire la película para embalaje.
5. Saque los accesorios.
6. Saque la máquina y colóquela en una superficie plana.

Dispositivo exterior:

1. Corte la cinta del embalaje.
2. Saque el dispositivo del paquete.
3. Retire la espuma del dispositivo.
4. Retire la película para embalaje del dispositivo.

Embalaje:

Dispositivo interior:

1. Cubra el dispositivo interior con la película para embalaje.
2. Coloque los accesorios.
3. Coloque el cojín de embalaje y el soporte de embalaje.
4. Coloque el dispositivo interior en el paquete.
5. Cierre y selle el paquete
6. Use la cinta del embalaje cuando sea necesario.

Dispositivo exterior:

1. Cubra el dispositivo exterior con la película para embalaje.
2. Coloque la espuma inferior en la caja.
3. Coloque el dispositivo exterior en el paquete, luego la espuma de embalaje superior sobre el dispositivo.
4. Cierre y selle el paquete
5. Use la cinta del embalaje cuando sea necesario.

NOTA: Guarde todos los artículos del embalaje si los necesita en el futuro.

www.premiumlevella.com