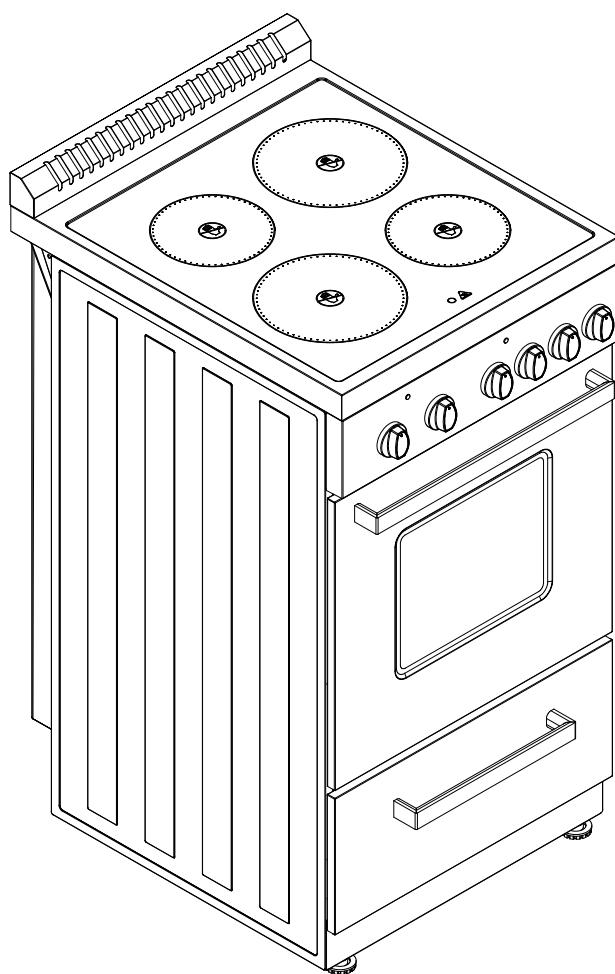


USER MANUAL / MANUAL DE INSTRUCCIONES

PREMIUM LEVELLA®

ELECTRIC RANGE



Model#: PRE2426GS / PRE2026GS

BEFORE USE, PLEASE READ AND FOLLOW ALL SAFETY RULES AND OPERATING INSTRUCTIONS.



Important Safety Information

READ AND FOLLOW ALL SAFETY INSTRUCTIONS

WARNING - TIP OVER HAZARD

- A child or adult can tip the appliance and be killed.
- Verify the anti-tip bracket has been properly installed to the floor.
- Ensure the anti-tip bracket is re-engaged when the range is moved.
- Do not operate the range without the anti-tip bracket in place and engaged.
- Failure to follow these instructions can result in death or serious burns to children or adults.

ANTI-TIP DEVICE

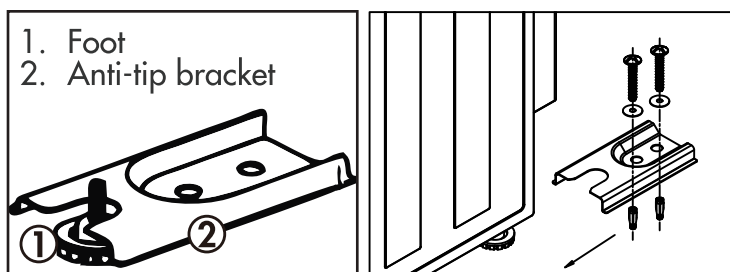
To reduce the risk of the range tipping by abnormal usage or improper door loading, the range must be secured by installing an anti-tip device. There are two different anti-tip devices included with this appliance.

Note: If the range is ever relocated the anti-tip bracket must be removed and installed at the new location.

BRACKET

The anti-tip bracket can be installed on either the left or the right rear leg by following the instructions below.

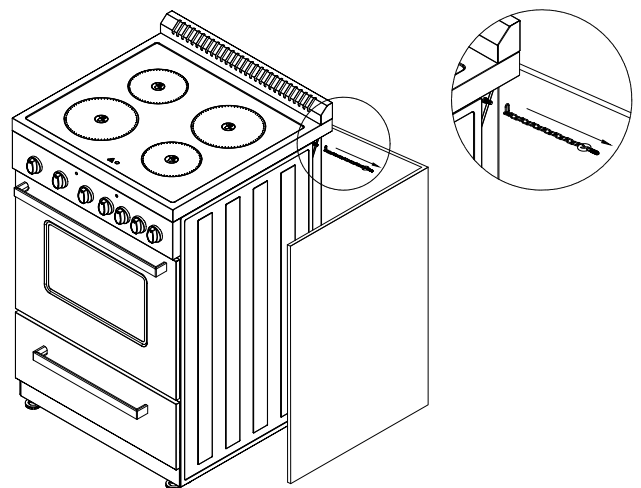
1. Place the anti-tip bracket on the floor where the range will be installed.
2. Mark the locations of the two holes in the anti-tip bracket.
3. Use a 5/16" masonry drill bit to drill a hole in the floor and insert the provided plastic anchor.
4. Secure the bracket to the floor using the provided screws.
5. Slide the range into position, ensuring that the anti-tip bracket is positioned over the rear foot of the appliance as per the below images.



CHAIN

There are two anti-tip chains that should be installed on both sides of the appliance.

1. Screw the chains into the walls on either side of where the appliance will be located.
2. Attach the other ends of the chains to the sides of the appliance using a screw and locking nut.



WARNING

SUFFOCATION AND RISK OF CHILD ENTRAPMENT

To avoid the possibility of child entrapment please take the following precautions before throwing out the appliance:

- Remove the oven door completely
- Never allow children to operate, play with or crawl inside the electric range

SAVE THESE INSTRUCTIONS!



Important Safety Information

READ AND FOLLOW ALL SAFETY INSTRUCTIONS

NOTICE - BEFORE FIRST TIME USE

Before use of this range for the first time, the heating elements have a protective coating, which must be burned off before use. To do this:

- Open the oven door and set the temperature control knob to 450°F.
- Turn the function selector to the bake element and the broil element separately for approximately 15 minutes.
- It is important to ensure adequate ventilation during this period.

The burners also have a protective coating which must be burned off before use. To do this:

- Set the burner selector to the maximum setting for 5 minutes.
- It is important to ensure adequate ventilation during this period.
- Switch off the burners after 5 minutes and allow to cool completely.

DANGER - GREASE FIRES

In the event of a fire, never pick up a flaming pot or pan. Turn the burner off if it is safe to do so. Extinguish the fire with a dry chemical or foam-type extinguisher.

Do not use water on grease fires. Water will spread the grease and will not extinguish the fire. Smother the fire with a tight fitting pot lid, cookie sheet or flat tray or use dry chemical or foam-type extinguisher.

If there is a fire in the oven during baking, smother the fire by closing the oven door and turning the oven off or use dry chemical or foam-type extinguisher.

DANGER - FIRE RISK

- It is recommended that this appliance be connected to a separate circuit that is not shared with any other appliance.
- Never clean appliance parts with flammable fluids. These fumes can create a fire hazard or explosion. Never use or store gasoline or other flammable vapors or liquids inside or in the proximity of this appliance, failing to do so may result in a fire hazard or explosion.
- Before cleaning or servicing this appliance, unplug the appliance completely from the electrical outlet. Failure to do so can result in electrical shock or death.
- Do not attempt to repair or replace any part of your appliance unless it is specifically recommended in this manual. All other servicing should be referred to a qualified service technician.
- For your safety, this appliance should never be used as a source of heat or as a space heater. The stove top elements should not be operated without proper cookware.
- All openings in the wall behind the appliance and the floor under the appliance shall be sealed.
- Keep the area around the appliance clear and free from combustible materials, gasoline and other flammable vapors.
- Do not obstruct the flow of air around the appliance.
- Always disconnect the electrical supply to the appliance before servicing.

SAVE THESE INSTRUCTIONS!



Important Safety Information

READ AND FOLLOW ALL SAFETY INSTRUCTIONS

GENERAL SAFETY REQUIREMENTS

Ensure the appliance is properly installed and grounded by a qualified technician.

Children should not be left alone or unattended in the area where the appliance is in use. Children should never be allowed to sit or stand on any part of the appliance.

Do not store items of interest to children in cabinets above a range or on the back guard of a range. Children climbing on the range to reach items could be seriously injured.

To eliminate the risk of burns or fire by reaching over heated surface units, cabinet storage space located above the surface units should be avoided. If cabinet storage is to be provided, the risk can be reduced by installing a range hood that projects horizontally a minimum of 5 inches (12.7 cm) beyond the bottom of the cabinets.

Loose fitting or hanging garments should never be worn while using the appliance.

Use only dry pot holders. Moist or damp pot holders on hot surfaces may result in burns from steam. Do not let the pot holder touch hot heating elements. Do not use a towel or other bulky cloth.

If power is lost to an electric cooktop while a surface element is ON, the surface element will turn back on as soon as power is restored. In the event of power loss, failure to turn all surface element knobs to the OFF position may result in ignition of items on or near the cooktop, leading to serious injury or death.

To avoid the possibility of a burn or an electric shock, always be certain that the controls for all surface elements are at the OFF position, and that all coils are cool before attempting to lift or remove a coil cooking element.

This range is designed and manufactured solely for the cooking of domestic (household) food and is not suitable for any non domestic application and therefore should not be used in a commercial environment. The range warranty will be void if the range is used within a non domestic environment.

DO NOT TOUCH HEATING ELEMENTS OR AREAS NEAR THEM

Heating elements on the surface or in the interior of the appliance may be hot even though they are dark in colour. Areas near the heating elements may become hot enough to cause burns. During and after use do not touch or let clothing or other flammable materials contact the heating elements or areas near them until they have had sufficient time to cool. Surfaces of the appliance may become hot enough to cause burns, among them are the oven vent openings and surfaces near these openings, oven doors and oven windows.

WARNING

To reduce the risk of burns, do not move this appliance while it is hot. To reduce the risk of injury due to tipping of the appliance, verify the re-installation of this appliance into the anti-tipping device provided after returning the appliance to the original installed position.

WARNING

The manufacturer declines all liability for injury to persons or damage to property cause by incorrect or improper use of the range.

SAVE THESE INSTRUCTIONS!



Important Safety Information

READ AND FOLLOW ALL SAFETY INSTRUCTIONS

COOK TOP SAFETY REQUIREMENTS

Use the proper pan size. This appliance is equipped with four burners of different sizes. Select utensils that have flat bottoms large enough to cover the surface of the heating element. The use of undersized utensils will expose a portion of the heating element to direct contact and may result in ignition of clothing. Proper relationship of utensil to burner will also improve efficiency.

Never leave the appliance unattended while in use. Boil over causes smoking and greasy spills can ignite.

Never leave oil unattended while frying. If allowed to heat beyond its smoking point, oil may ignite resulting in fire that may spread to surrounding cabinets. Use a deep fat thermometer whenever possible to monitor oil temperature.

To avoid oil spillover and fire, use a minimum amount of oil when shallow pan-frying and avoid cooking frozen foods with excessive amounts of ice.

Ensure that reflector pans or drip bowls are in place. Absence of these pans or bowls during cooking may subject wiring or components underneath to damage.

Only certain types of glass, ceramic, earthenware or other glazed utensils are suitable for range top service without breaking due to sudden change in temperature.

To reduce risk of burns, ignition of flammable materials and spillage due to unintentional contact, the handle of a utensil should be positioned so that it is turned inward and does not extend over adjacent burners.

Removable heating elements should never be immersed in water.

Do not cook on broken cooktop. If the cooktop should break, cleaning solutions and spill overs may penetrate the broken cooktop and create a risk of electric shock. Contact a qualified technician immediately.

OVEN SAFETY REQUIREMENTS

Use care when opening the door. Allow hot air or steam to escape before removing or replacing food.

Do not heat unopened food containers. Build up of pressure may cause the container to burst and result in injury.

Keep oven vents unobstructed.

Always place oven racks in the desired location while the oven is cool. If the rack must be moved while the oven is hot, do not let the pot holder contact the hot heating element in the oven.

Do not use the oven if a heating element develops a glowing spot during use or shows other signs of damage. A glowing spot indicates the heating element may fail and present a potential burn, fire, or shock hazard. Turn the oven off immediately and have the heating element replaced by a qualified service technician.

Do not line the oven walls, racks or burner bowls with aluminum foil.

Do not place shelves, pans, backing trays, broil trays or other cooking utensils in the bottom of the oven chamber. Always place on an oven shelf.

Never clean the oven with any high pressure steam cleaning devices.

Do not leave anything on the top of the oven vent. Never cover the oven vent opening with aluminum foil or any other material.

SAVE THESE INSTRUCTIONS!



Important Safety Information

READ AND FOLLOW ALL SAFETY INSTRUCTIONS

BEFORE BEGINNING

Carefully unpack the appliance and ensure there is no damage to the oven, cooktop or structure and that the oven door opens and closes properly. Remove all packing materials such as plastic bags, polystyrene foam, packing straps, etc. Keep packing materials out of reach of children at all times to prevent possible serious injury. The range has been thoroughly tested for safe and efficient operation. However, as with any appliance, there are specific installation and safety precautions that must be followed to ensure safe and satisfactory operation.

Keep these instructions for future reference.

Installation of this appliance requires basic mechanical skills and roughly 1 to 3 hours of time.

Proper installation is the responsibility of the installer. Product failure due to improper installation is not covered under the warranty.

Before beginning the installation, switch power off at the service panel and lock the service disconnecting means to prevent power from being switched on accidentally. If the service disconnecting means cannot be locked, securely fasten a warning device such as a tag to the service panel.

GROUNDING INSTRUCTIONS

This appliance must be grounded. Grounding reduces the risk of electrical shock by providing an escape wire for the electrical current.

This appliance has a power cord that has a grounding wire with a 4-prong plug. The power cord must be plugged into an outlet that is properly grounded. If the outlet is a 2-prong wall outlet, it must be replaced with a properly grounded 4-prong wall outlet. The rating plate indicates the voltage and frequency the appliance is designed for.

WARNING - Improper use of the grounding plug can result in a risk of electric shock. Consult a qualified electrician if the grounding instructions are not completely understood, or if doubt exists as to whether the appliance is properly grounded.

Do not connect the appliance to extension cords, adapters or together with another appliance in the same wall outlet.

Do not splice the power cord. Do not under any circumstances cut or remove the ground prong from the power cord.

If the power supply cord is damaged, it must be replaced by the manufacturer, its service agent or similar qualified person in order to avoid hazard.

Note: Turning the appliance off does not disconnect the appliance from the power supply.

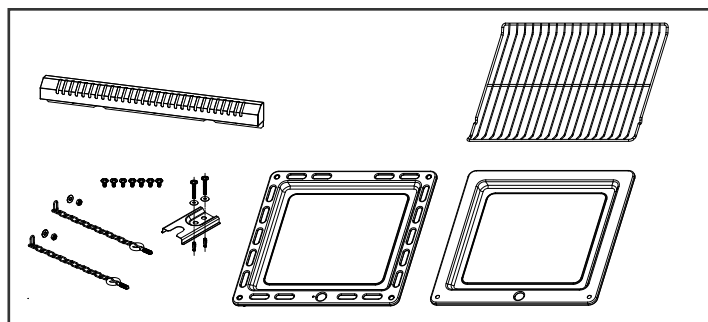
It is recommended that the power cord and the plug be placed parallel with the floor so that the cord runs parallel with the floor.

SAVE THESE INSTRUCTIONS!

INSTALLATION INSTRUCTIONS

ACCESSORIES

1. Anti-tip bracket (1 set)
2. Anti-tip chain (2 sets)
3. Oven racks(x1)
4. Oven Tray(x1)
5. Oven Crumb Tray(x1)
6. Screws(x7)



DIMENSIONS

This dimensions of this appliance are:

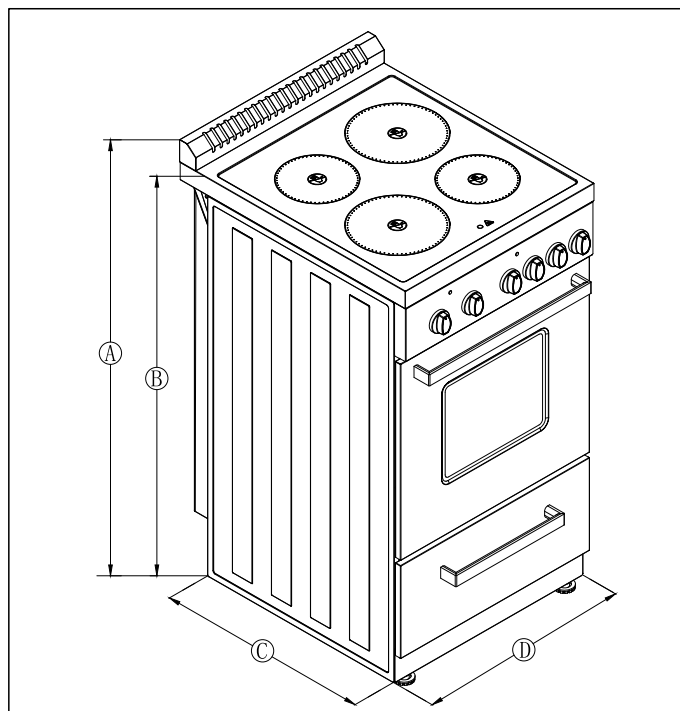
20inches

24inches

- | | |
|---------------------|---------------------|
| 1. A:38.0in (965mm) | 2. A:38.0in (965mm) |
| B:36.1in (916mm) | B:36.1in (916mm) |
| C:25.2in (641mm) | C:25.2in (641mm) |
| D:19.5in (495mm) | D:23.4in (595mm) |

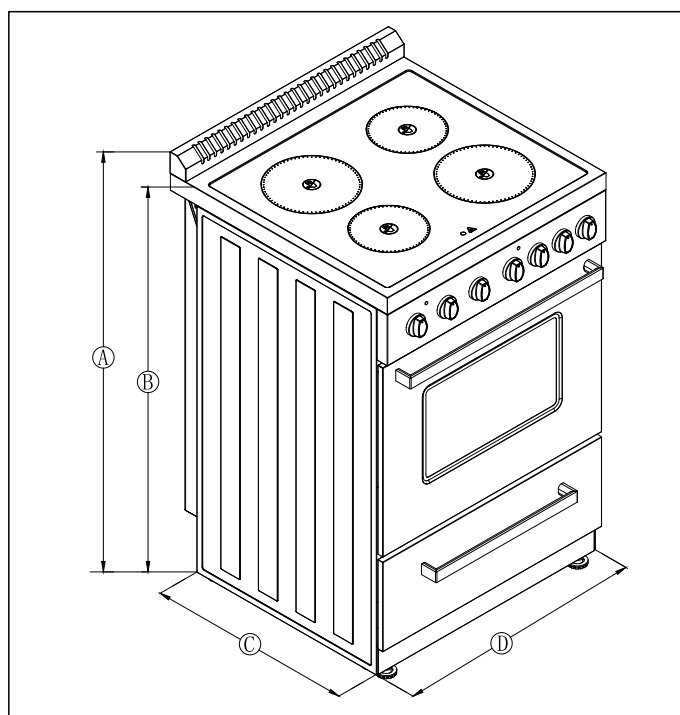
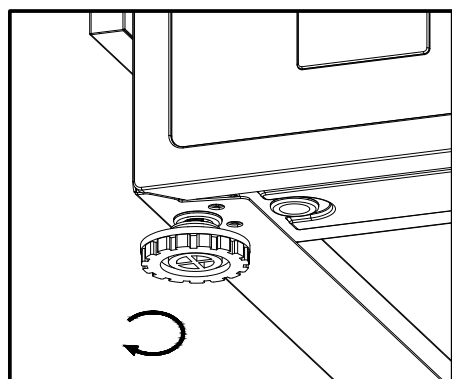
It is the installer's responsibility to comply with installation clearances specified in the manual. The minimum cabinet opening dimensions and clearances must be used. The minimum spacings must be maintained between the appliance cooking surface and the horizontal surface above the cooktop.

30 inches (65 cm) is the minimum clearance between the top of the cooking surface and the bottom of an unprotected wood or metal cabinet.



LEVELING INSTRUCTIONS

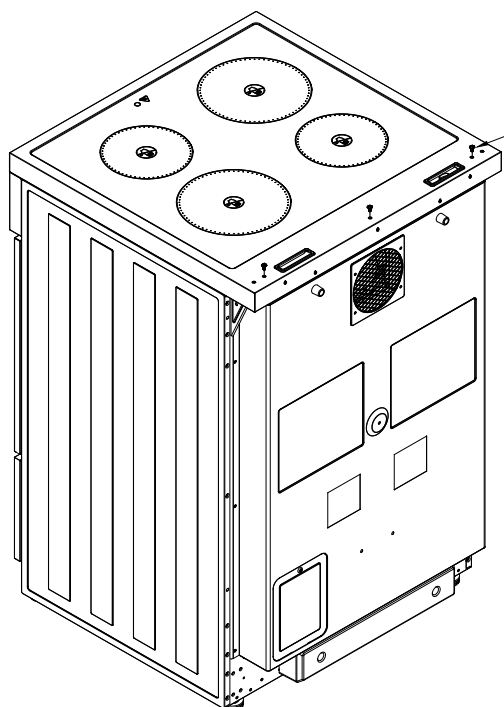
The appliance must be level to operate safely and properly. There are four leveling legs located at the corners of the bottom of the appliance. Adjust the leveling legs until the appliance is level. Use a carpenter's level to confirm.



INSTALLATION INSTRUCTIONS

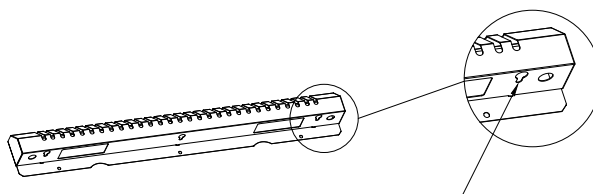
BACKGUARD INSTALLATION

the backguard acts as a heat vent for the oven and must be installed before the appliance is used.

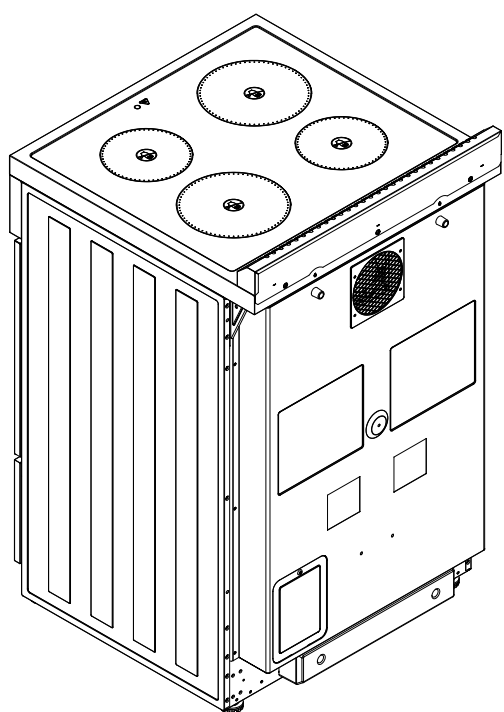


1. Schematic diagram of no backguard installed.

2. Factory had Lock the three ST4*12 screws to the corresponding screw holes, leave the screws unlocked to the end, and leave a height of 3-4mm blank.



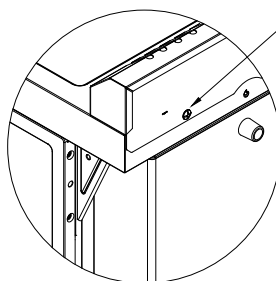
3. The mark is the hoist hole of the backguard.



4. Put the backguard vertically on the working table plate, and the hole with the larger gourd hole is matched with the unlocked screw.

5. After the backguard is placed horizontally, push forward, and the smaller hole of the gourd hole is coordinated with the screw for positioning.

6. Install 3 screws in the back to secure the backguard.



OPERATING INSTRUCTIONS

SURFACE COOKING CONTROLS

The surface heating elements of the appliance are designed for a variety of heat settings. HI indicates the highest setting. LO indicates the lowest setting.

Changing to a higher heat setting will happen faster than changing to a lower heat setting as it will take time for the heat to dissipate.

To use the surface burner, push the control knob in and turn to the desired setting. The knob only needs to be pushed in when moving out of the "OFF" position. When the knob is in any position other than "OFF", it can be turned without pushing in.

Ensure that the element is turned off when cooking is finished. An indicator light will glow when any heating element is turned on.

Use medium or heavyweight cookware. Aluminum cookware conducts heat faster than other metals. Cast-iron and coated cast-iron cookware is slow to absorb heat, but generally cooks evenly at low or medium heat settings. Steel pans may cook unevenly if not combined with other metals.

Do not overfill cookware with fat that may spill over when adding food. Frosty foods bubble vigorously. Watch foods frying at high temperatures. Keep range and hood clean from accumulated grease.

To conserve the most cooking energy, pans should be flat on the bottom, have straight sides and tight-fitting lids. Match the size of the saucepan to the size of the surface element. A pan that extends more than an inch beyond the edge of the drip pan traps heat, which causes "crazing" (fine hairline cracks) on porcelain, and discoloration ranging from blue to dark gray on chrome drip pans.

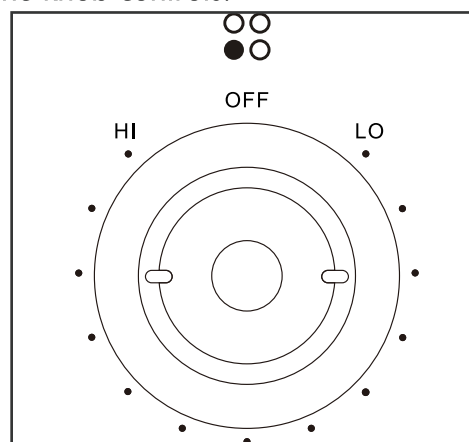
Wipe spills off the elements with a damp cloth as soon as they cool down. Be sure the control knob is set to OFF.

Never leave an empty pot or one that has boiled dry on a hot surface element. The pot could overheat and damage the pot or the surface of the appliance. Always be sure that all control knobs are turned to OFF and that the indicator lights are off when the appliance is not in use.

SURFACE COOKING KNOB

Never leave food unattended while cooking. Boil overs cause smoking. Greasy spill overs may catch fire.

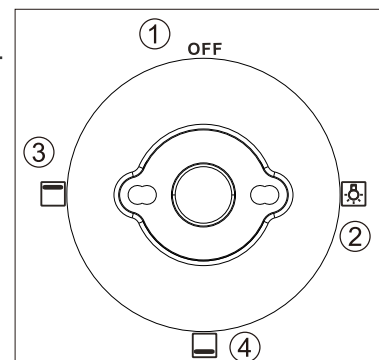
Note that the icon above the knob indicates which burner the knob controls.



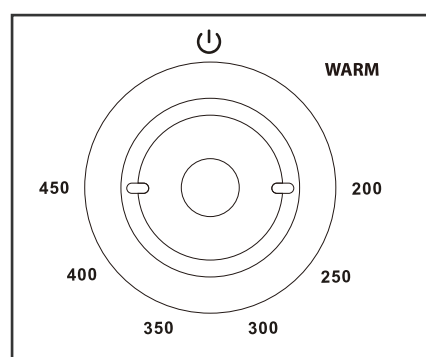
OVEN COOKING CONTROLS

The oven has four available functions that can be set using the function selector knob.

1. OFF
2. Light
3. Broil
4. Bake



The oven knob is used to choose the oven cooking temperature and is marked in 50 degree increments, from 200°F to 450°F.



To use the oven, turn the function selector knob to bake and turn the oven temperature knob to the desired cooking temperature.

OPERATING INSTRUCTIONS

OVEN BAKING AND ROASTING

1. Position the shelves in the oven. If cooking on two shelves at the same time, stagger the pans for the best heat circulation.
2. Close the oven door. Turn the function selector knob to bake. Turn oven temperature knob to the desired temperature.
3. Allow the oven to preheat if required.
4. Place the food on the center of the oven shelf. Allow at least 2 inches between the end of the pan and the oven wall or any adjacent pans.
5. Check the food regularly. Remove once done and ensure the oven is turned off.

BAKING AND ROASTING TIPS

- Follow a tested recipe and measure the ingredients carefully. If you are using a package mix, follow label directions.
- Do not open the oven door while baking or roasting. Heat will be lost and the cook time might need to be extended. If you must open the door, open it partially and close it as quickly as possible.
- Roasting is cooking by dry heat. Tender meat or poultry can be roasted uncovered. Roasting temperatures, which should be low and steady, keep spattering to a minimum. When roasting, it is not necessary to sear, baste, cover, or add water to the meat.
- Frozen roasts of meat can be cooked without thawing, but allow 10 to 25 minutes of additional time per pound of meat (10 minutes per pound for roasts under 5 pounds, more time for larger roasts).
- Thaw frozen poultry before roasting to ensure even cooking. Some commercial frozen poultry can be cooked successfully without thawing. Follow directions given on package label.

OVEN BROILING

Broiling involves cooking food by intense radiant heat from the upper element in the oven. Most fish and tender cuts of meat can be broiled. Follow these steps to keep spattering and smoking to a minimum.

1. If the meat has fat or gristle around the edge, cut vertical slashes through both about 2" apart. If desired, fat may be trimmed, leaving a layer about 1/8" thick.
2. Place the meat on a broiler grid in a broiler pan designed for broiling. Always use the grid so the fat drips into the broiler pan; otherwise the juices may become hot enough to catch fire.
3. Place the shelf in one of the top two positions for most broiling.
4. Place the food in the oven and close the door. Always broil with the door closed.
5. Turn the oven function selector knob to BROIL.
6. Turn the oven temperature knob to the desired cooking temperature.
7. Food can be turned during broiling if necessary. Be cautious of hot air or steam when opening the oven door.
8. Make sure to turn the oven temperature knob to OFF once broiling is complete.

BROILING TIPS

- If desired, marinate meats or chicken before broiling or brush with barbecue sauce in the last 5 - 10 minutes of cooking.
- When arranging food on a pan, do not let fatty edges hang over the sides as the dripping fat will soil the oven as it cooks.

OPERATING INSTRUCTIONS

OVEN SHELVES

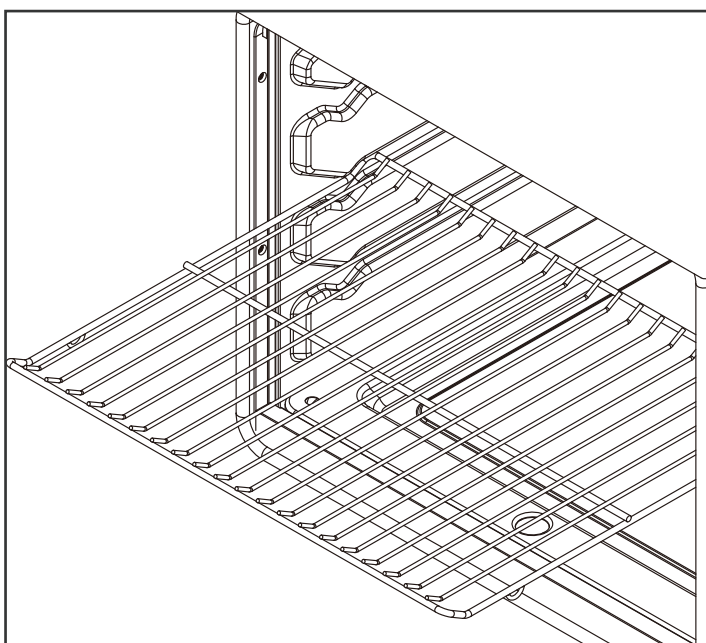
To remove the shelves from the oven, pull the shelf outward, tilt the front end upward and pull it out.

To replace the shelves, place the shelf on the support with the stop locks facing up and toward the back of the oven. Tilt up the front and push the shelf toward the back of the oven until it goes past the bump on the shelf support, then lower the front of the shelf and push it all the way into the oven.

The oven has three different shelf support positions to accommodate different cooking requirements.

SHELF POSITIONS

- Most baking is done on the second or third shelf position from the bottom of the oven.
- When baking multiple items, use two shelves positioned on the second and third shelf supports from the bottom of the oven.
- Bake angel food cakes on the first shelf position from the bottom of the oven.
- Roasting is usually done on the bottom shelf position.



Fahrenheit	140	150	170	200	250	275	300	325	350	375	400	425	450	475	500	525	550
Celsius	60	65	75	95	120	135	150	160	175	190	205	220	230	245	260	275	290

OPERATING INSTRUCTIONS

Cookware Tips

The physical characteristics of pots and pans influence the performance of any cooking systems. Therefore, emphasis must be placed on the choice of proper cookware.

- Use cooking vessels with flat bottoms and tight fitting lids to conserve energy and shorten cooking time.
- Only certain types of glass, glass/ceramic, ceramic, earthenware or other glazed utensils are suitable for cooktop.
- Pan size should match the element size. A slightly larger pan covers the entire element and prevents spillovers from contacting the heat surface and burning in. Using a smaller pan than the element is a waste of energy.
- To avoid spattering and to maximize efficiency, pan bottoms should be clean and dry before coming in contact with the elements.
- Wipe spills off the elements with a damp cloth as soon as they have cooled down, which will save clean up time than you clean them later. Be sure the control is OFF.

If a surface unit stays red for a long time, the bottom of the pan is not flat enough or is too small for the surface unit. Prolonged usage of incorrect utensils could result in damage to the surface unit, cooktop, wiring and surrounding areas. To prevent damage use correct utensil, start cooking on "HI" position and turn control down to continue cooking.

Never leave an empty utensil, or one which has boiled dry, on a hot surface unit. The utensil could overheat and damage the utensils or surface unit.

Always be sure that all control knobs are turned to "OFF" position and the indicator lights are OFF when you are not cooking.

WARNING

Make sure that the handles of cookware do not stick out over the edge of the range to avoid being knocked over by accident. This also makes it more difficult for children to reach the cooking pots/pans.

INSTRUCTIONS

Electric Connection

⚠ WARNING

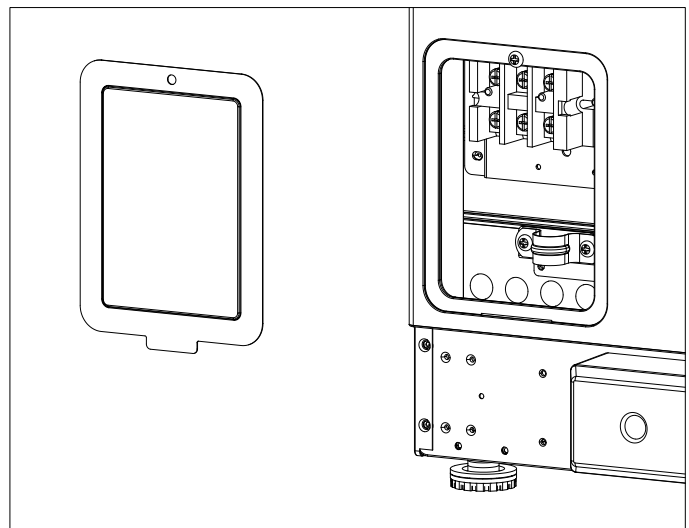
Improper grounding can result in the risk of electric shock. If the power cord is damaged, have it replaced by an authorized service center.

- The appliance must be properly installed and grounded by a qualified technician in accordance with the National Electrical Code ANSI/NFPA No. 70 (Latest Edition) and local electrical code requirements. Installation should be made by a licensed electrician.
- The range may be connected by means of permanent “Hard Wiring” or “Power Supply Cord Kit”. Power supply cord is not supplied for USA market, but is available through your local electric supply house.
- Use only 3-conductor or 4-conductor UL listed range cord rated at 40 amps, 8AWG with 125/250V minimum voltage range. These cords may be provided with strain relief or conduit connector.
- The range must be connected to the proper electric voltage and frequency as specified on the rating label.
- The range can be connected directly to the fused disconnect (or circuit breaker box) through flexible, armored or non-metallic sheathed, copper cable (with grounding wire). Allow two to three feet of slack in the line so that it can be moved if servicing is necessary.
- **For personal safety, the range must be properly grounded.**
- Remove house fuse or open circuit breaker before beginning installation.
- Do not repair or replace any parts of the appliance by your own unless the repair is

allowed and the parts are recommended by the manufacturer. All other maintenance should be made by a qualified technician.

- To minimize the possibility of electric shock, disconnect this appliance from the AC power supply before attempting any maintenance.

NOTE: Turning the appliance off does not disconnect the appliance from the power supply. We recommend having a qualified technician to service your appliance.

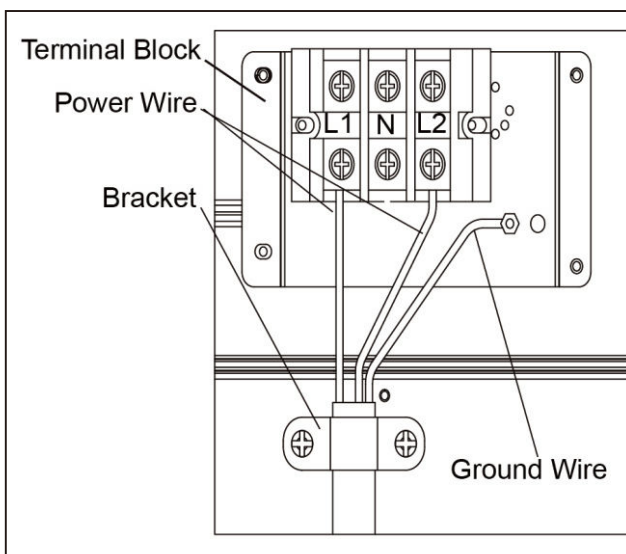


INSTRUCTIONS

3-Wire Power Cord Installation

- Remove the Terminal Block Access Plate on the back of range by removing the fixing screw.
- Loosen the screws securing the strain relief bracket.
- Insert all 3 power cords (L1, L2, Grounding) passing through the bracket.
- Loosen the 2 power leads terminal (L1, L2) nuts and washers on the terminal block
- Plug the 2 wire terminals into the terminal block as shown, and then tighten the nuts.
- Loosen the ground nut and plug grounding wire terminal into the nut as shown. Then tighten the nut.
- Tighten the screws of bracket when all cords are plugged and secured.
- Assemble the Terminal Block Access Plate.

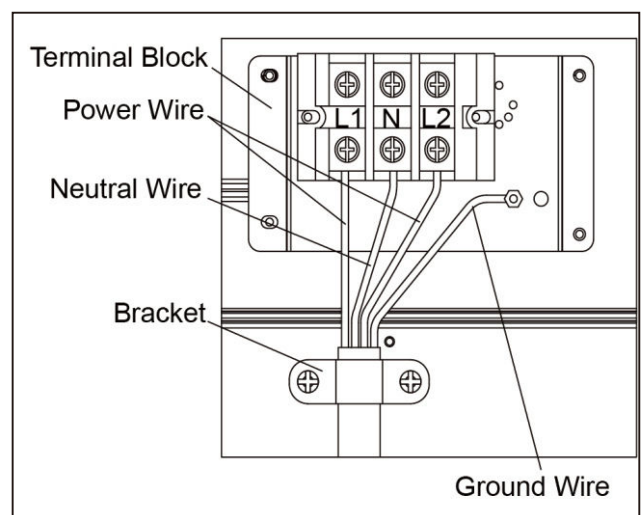
NOTE: The neutral or ground wire of the power cord must be connected to the GROUND NUT. The power leads must be connected to L1 and L2.



4-Wire Power Cord Installation

- Remove the Terminal Block Access Plate on the back of range by removing the fixing screw.
- Loosen the screws securing the strain relief bracket.
- Insert all 4 power cords (L1, L2, N, Grounding) passing through the bracket.
- Loosen the 3 power cord terminal (L1, L2, N) nuts and washers on the terminal block
- Plug the 3 wire terminals into the terminal block as shown, and then tighten the nuts.
- Loosen the ground nut and plug grounding wire terminal into the nut as shown. Then tighten the nut.
- Tighten the screws of bracket when all cords are plugged and secured.
- Assemble the Terminal Block Access Plate.

NOTE: The neutral wire of the power cord must be connected to the neutral terminal located in the center of terminal block. The ground wire of the power supply cord must be attached to the frame of range by using the green colored grounding screw. The power leads must be connected to L1 and L2.



CARE & MAINTENANCE

Porcelain oven interior

With proper care, the porcelain enamel interior will retain its finish for many years.

Soap and water can be used to clean the interior. Heavy splattering or spills may require cleaning with a mild abrasive cleaner.

Do not allow spills with high acid content such as milk, tomatoes, fruit juices or pie filling, to remain on the surface. They may cause dull spots even after cleaning.

Household ammonia may make cleaning easier. Place 1/2 cup of ammonia in a shallow glass pan and leave in a cold oven over night. The ammonia fumes will help loosen burned on grease and food.

Cautions about using spray-on oven cleaners

Do not spray oven cleaner on the electrical controls and switches as it could cause a short circuit and result in sparking or fire.

Do not spray oven cleaner directly onto the oven heating elements.

Do not allow a film from the oven cleaner to remain on the temperature sensor as it could cause the oven to heat improperly. The sensor is located on the rear of the oven. Carefully wipe the bulb clean after each oven cleaning, being careful not to move the sensor since a change in its position could affect how the oven bakes.

Do not spray oven cleaner on the outside of the oven door, handles or any exterior surface of the oven, cabinet or painted surfaces. The cleaner can damage these surfaces.

Oven shelves

Clean the shelves with an abrasive cleaner or steel wool. After cleaning, rinse the shelves with clean water and dry with a clean cloth.

Oven heating elements

Do not clean the bake element or the broil element. Any food residue will burn off when the elements are heated.

Control knobs

The control knobs may be removed for easier cleaning. Make sure the knobs are in the "OFF" position and then pull straight off the stems for cleaning.

The knobs can be cleaned by hand. Make sure the insides of the knobs are dry before replacing on the appliance.

Painted surfaces

The painted surfaces include the sides, the control panel and the door. Clean these with soap and water or a vinegar and water solution.

Do not use commercial oven cleaners, cleansing powders, steel wool or harsh abrasives on any painted surface.

CARE & MAINTENANCE

REMOVABLE OVEN DOOR

The oven door is removable but it is heavy. It is recommended that at least two people work together to remove it.

To remove the door:

1. Open the door to the full open position.
2. Pull the hinge locks up over the hinge hooks on both sides.
3. Grasp the door firmly on both sides, lift slightly and pull it straight out and away from the oven.

To replace the door:

1. Firmly grasp both sides of the door at the top.
2. Insert and seat the upper and lower hinge arms into the oven slots.
3. Push the hinge locks down from the hinge hooks.
4. Close the oven door and make sure it is working properly. If it seems uneven or does not close completely, remove it again and repeat the steps to replace it.

Note: Do not attempt to close the door until it is properly installed. The hinges could be damaged.

REMOVABLE STORAGE DRAWER

To clean the lower storage drawer, pull it out until it cannot be pulled any further and then lift upwards.

To replace the storage drawer in the appliance, place the shelf on the side rails and push inward.

OVEN LIGHT REPLACEMENT

Important: Before replacing the oven light bulb, make sure the electrical power is disconnected from the appliance. Failure to do so may result in electric shock or burn.

Be sure to let the light cover and bulb cool completely before replacing.

Removing the oven door can make this process easier.

To replace the light bulb:

1. Remove the protective light cover. Do not remove any screws to remove the light cover.
2. Do not touch the light bulb with a wet cloth. Replace the light bulb with an appliance light bulb suitable for high temperature and having the same specifications: 230V, 60Hz, 25W, G9.
3. Replace the protective cover.

GLASS DOOR WINDOW

To clean the outside of the glass door window, use a glass cleaner. Rinse and polish with a dry cloth.

Avoid scratching or impacting the glass window. Doing so may cause the glass to break.



INFORMACION IMPORTANTE DE SEGURIDAD
LEA Y SIGA TODAS ESTAS INSTRUCCIONES DE SEGURIDAD

ADVERTENCIA: PELIGRO DE VOLCAMIENTO

- Un niño u adulto puede volcar este electrodoméstico y morir
- Asegúrese de que el dispositivo anti-volcamiento ha sido instalado en el piso antes de instalar la cocina
- Asegúrese de que el dispositivo anti-volcamiento ha sido reajustado cuando se mueva la cocina
- No opere la cocina sin haber instalado y conectado el dispositivo anti-volcamiento.
- El no seguir estas instrucciones puede causar la muerte o quemaduras graves a niños y adultos.

DISPOSITIVO ANTI-VOLCAMIENTO

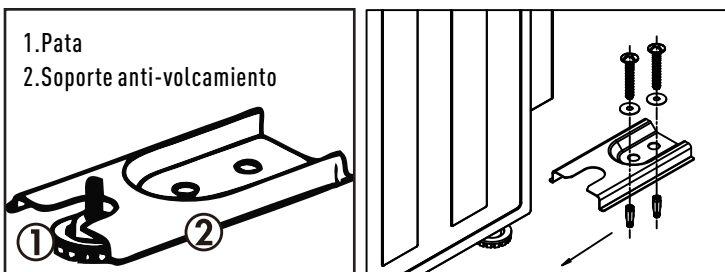
Para reducir el riesgo de que la cocina se vuelque [por un uso inadecuado o una carga de peso inadecuada en la puerta, la cocina debe fijarse instalando el dispositivo anti-volcamiento. Hay dos tipos diferentes de dispositivo incluidos con este electrodoméstico.

Nota: Si la cocina se reubica, el dispositivo anti-volcamiento debe retirarse y reinstalarse en su nueva ubicación.

SOPORTE

El soporte anti-volcamiento puede ser instalado al lado del pie izquierdo o derecho de la cocina siguiendo las instrucciones a continuación.

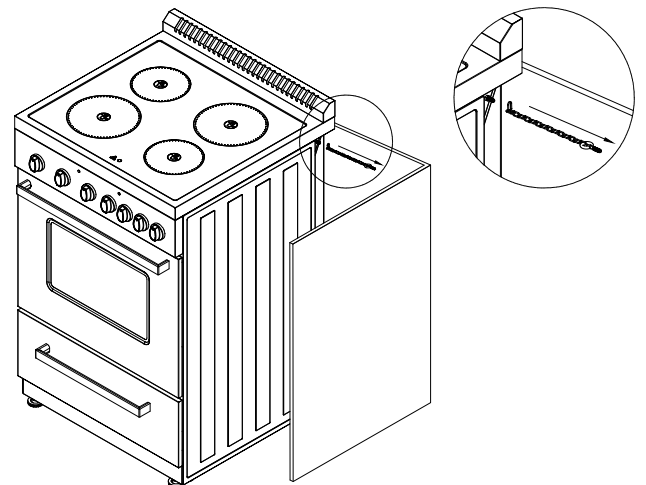
1. Coloque el soporte anti-volcamiento en el piso donde la cocina se va a instalar.
2. Marque la ubicación de los dos huecos en el soporte.
3. Utilice un taladro con mecha de mampostería de 5/16" para abrir un hueco en el piso e inserte el ancla plástica que se provee.
4. Asegure el soporte al piso utilizando los tornillos que se proveen.
5. Deslice la cocina en su lugar, asegurándose de que el soporte se posiciona sobre la pata posterior del electrodoméstico tal y como se muestra en las imágenes.



CADENA

Hay dos cadenas anti-volcamiento que deben instalarse a ambos lados de la cocina.

1. Atornille las cadenas a las paredes a ambos lados del lugar donde se va a instalar la cocina.
2. Fije los otros extremos a los lados de la cocina utilizando un tornillo y una tuerca de ajuste.



ADVERTENCIA

RIESGO DE SOFOCAMIENTO Y ATRAPAMIENTO PARA LOS NIÑOS

Para evitar la posibilidad de que un niño quede atrapado por favor siga las siguientes instrucciones antes de desechar el aparato

- Retire la puerta del horno por completo
- Nunca permita que los niños operen, jueguen o se introduzcan dentro del electrodoméstico.

GUARDE ESTAS INSTRUCCIONES!



**INFORMACION IMPORTANTE DE SEGURIDAD
LEA Y SIGA TODAS ESTAS INSTRUCCIONES DE SEGURIDAD**

NOTA: ANTES DEL PRIMER USO

Antes de usar su cocina por primera vez usted debe destruir la cubierta protectora que cubre a los elementos calefactores. Para hacer esto usted debe:

- Abra la puerta del horno y programe la temperatura a 450oF
- Gire el selector de función a Bake y Broil por separado por aproximadamente 25 minutos
- Mantenga una ventilación adecuada durante este periodo. Los quemadores también traen una capa protectora que debe quemarse antes de cocinar por primera vez. Para hacer esto:
 - Coloque el selector del quemador en su máximo por 5 minutos.
 - Es importante mantener una ventilación adecuada durante este periodo.
- Apague todos los quemadores luego de 5 minutos y deje que enfríen por completo.

PELIGRO – FUEGO DE ACEITES

En caso de fuego, nunca tome un recipiente que este contenga un fuego. Apague el quemador de la cocina si es seguro hacerlo. Extinga el fuego con un extintor químico o de espuma.

No utilice agua para fuego de grasa. El agua solamente extenderá la grasa y no extinguirá el fuego. Cubra el fuego con una tapa que lo cubra, una bandeja metálica plana o use un extintor químico o de espuma.

Si hay un fuego en el horno durante el horneado, apague el fuego cerrando la puerta del horno y apagando el horno, o utilice un extintor químico o de espuma.

¡GUARDE ESTAS INSTRUCCIONES!

PELIGRO – RIESGO DE FUEGO

- Se recomienda que este aparato se conecte a un circuito individual, no compartido con ningún otro equipo.
- Nunca limpie el aparato con líquidos inflamables. Los vapores pueden crear un riesgo de incendio o explosión. Nunca utilice o almacene gasolina ni ningún otro líquido o gas inflamable dentro o cerca de este aparato. El no hacerlo puede resultar en un incendio o explosión.
- Antes de limpiar o dar servicio a este electrodoméstico, desconéctelo por completo de la red eléctrica. El no hacerlo puede causar shock eléctrico o la muerte.
- No intente reparar usted mismo ninguna parte de su aparato a menos que sea recomendado en este manual. Todo servicio debe ser realizado por un técnico calificado.
- Por su seguridad, este aparato nunca debe usarse como fuente de calor o como calentador espacial. Los elementos calefactores superiores no deben ser operados sin ollas o sartenes adecuados.
- Todas las aperturas en la pared detrás del aparato y en el piso debajo del mismo deben sellarse
- Mantenga el área alrededor del aparato libre de materiales combustibles, gasolina y otros vapores inflamables.
- No obstruya el flujo de aire alrededor del aparato.
- Siempre desconecte de la corriente eléctrica antes de hacerle algún servicio.

GUARDE ESTAS INSTRUCCIONES!



**INFORMACION IMPORTANTE DE SEGURIDAD
LEA Y SIGA TODAS ESTAS INSTRUCCIONES DE SEGURIDAD**

REQUERIMIENTOS GENERALES DE SEGURIDAD

Asegúrese de que el electrodoméstico es instalado adecuadamente por un técnico especializado.

Los niños no deben dejarse desatendido o solos en el área donde se encuentra el electrodoméstico en uso. Nunca permita que los niños se suban a la superficie ni a ninguna parte de la cocina.

Nunca almacene artículos de interés para los niños dentro o sobre la cocina para evitar que se suban en ella y el riesgo de que sufran heridas o quemaduras graves.

Para eliminar el riesgo de quemaduras o de que el fuego alcance superficies recalentadas, los gabinetes de almacenamiento ubicados sobre la cocina deben evitarse o ser instalados de manera que la cocina sobresalga del frente del gabinete al menos 5 pulgadas (12.5 centímetros).

Nunca utiliza prendas de vestir muy sueltas alrededor de una cocina encendida.

Utilice solamente agarra ollas secos. Un agarra ollas húmedo en una superficie caliente puede emitir vapor hirviente y causar quemaduras graves. No permita que el agarra ollas entre en contacto con los quemadores. No utilice toallas ni telas gruesas.

Si se desconecta la corriente eléctrica durante el funcionamiento de la cocina eléctrica, el quemador volverá a encenderse apenas se restaure la corriente. En caso de falla eléctrica, asegúrese de colocar todos los quemadores en OFF (apagado) inmediatamente para evitar fuegos cerca de la cocina que puedan causar heridas graves o la muerte.

Para evitar la posibilidad de quemaduras o shock eléctrico, asegúrese siempre de que los controles de todos los elementos calefactores de la superficie están en posición de apagado, y de que todos estén fríos antes de tratar de levantar o retirar alguno de los elementos calefactores.

Esta cocina ha sido diseñada y fabricada para ser usada exclusivamente en ambientes domésticos (casas de familias) para la preparación de alimentos y no debe ser usada para ninguna aplicación no doméstica. Ni en ambientes comerciales. La garantía será anulada si la cocina es utilizada en ambientes comerciales.

NO TOQUE LOS ELEMENTOS CALEFACTORES NI LAS AREAS ADYACENTES

Los elementos calefactores de la superficie o el interior del aparato pueden estar muy calientes, aunque estén ya de un color oscuro. Las áreas adyacentes a los elementos calefactores se calientan tanto como para poder causar quemaduras graves. Durante y después del funcionamiento, **NO TOQUE** los elementos calefactores ni permita que prendas de vestir u otros materiales inflamables entren en contacto con ellos o las áreas adyacentes hasta que estén completamente fríos. La superficie del aparato puede calentarse lo suficiente como para causar quemaduras, sobre todo alrededor de los quemadores, las aberturas de ventilación y áreas adyacentes, y la puerta y ventanas del horno.

ADVERTENCIA

Para reducir el riesgo de quemaduras, no mueva este aparato de lugar mientras esta caliente. Para reducir el riesgo de que se voltee o vuelque, verifique al momento de moverlo que se ha reinstalado y reconectado el dispositivo anti-volcamiento antes de volverlo a utilizar.

ADVERTENCIA

El fabricante declina cualquier responsabilidad sobre daños a personas o propiedades debido al uso incorrecto de este aparato.

GUARDE ESTAS INSTRUCCIONES!



**INFORMACION IMPORTANTE DE SEGURIDAD
LEA Y SIGA TODAS ESTAS INSTRUCCIONES DE SEGURIDAD**

REQUERIMIENTOS GENERALES DE SEGURIDAD

Utilice siempre el tamaño adecuado de ollas o sartenes. Esta cocina esta equipada con cuatro quemadores de diferentes tamaños. Seleccione los utensilios que tengan fondo plano lo suficientemente grande como para cubrir por completo el elemento calefactor. El uso de utensilios más pequeños expone una parte del elemento calefactor ocasionando el riesgo de que el mismo entre en contacto con ropas o textiles de cocina y ocasione un fuego. Adicionalmente el uso del tamaño adecuado de utensilio mejora el rendimiento de la cocina y su eficiencia.

Nunca deje la cocina desatendida mientras esta en uso. Los hervores pueden causar derrames, humo y los derrames de grasa pueden causar incendios.

Nunca deje aceites desatendidos mientras fríe. Si el aceite se calienta por encima de su punto de quemadura, el aceite puede encenderse en fuego ocasionando un incendio que puede extenderse rápidamente a los gabinetes adyacentes. Utilice un termómetro cuando pueda para monitorear la temperatura de su aceite.

Para evitar derrames y fuegos, utilice una cantidad mínima de aceite cuando este friendo en sartenes llanos y evite freír alimentos congelados que aun contengan partes congeladas.

Asegúrese de que las bandejas deflectoras y de goteo están instaladas en la cocina. La usencia de estas durante la cocción puede ocasionar que el cableado de la cocina se impregne de grasa y se dañe.

Utilice solamente los tipos de cerámica, barro y vidrio que son especiales para ser utilizados en el tope de la cocina. Estos no se deberán romper debido a los cambios rápidos de temperatura.

Para reducir el riesgo de quemaduras o el encendido de materiales inflamables y derrames causados por contacto no intencional, las asas de los utensilios utilizados deben posicionarse hacia adentro de la cocina y no deben quedar sobre otros quemadores.

Los elementos calefactores removibles no deben sumergirse nunca en agua ni en ningún otro líquido.

No cocine en un tope de cocina que este roto. Si el tope de su cocina se ha roto, los limpiadores y derrames pueden penetrar por las grietas y ocasionar un riesgo de shock eléctrico. Contacte a un electricista calificado inmediatamente en caso de roturas.

REQUERIMIENTOS DE SEGURIDAD DEL HORNO

Tenga mucho cuidado al abrir la puerta del horno. Permita que el aire caliente salga antes de colocar o retirar los alimentos.

No caliente o cocine alimentos dentro de recipientes cerrados. El incremento de presión interna puede causar que los recipientes exploten y resultar en heridas.

Mantenga las salidas de aire libres de obstrucciones.

Siempre coloque las rejillas del horno en las posiciones deseadas mientras el horno esta frio. Si la rejilla debe moverse mientras el horno esta caliente, no permita nunca que la agarradera entre en contacto con los elementos calefactores del horno.

No utilice el horno si el elemento calefactor presenta puntos brillantes o muestra algún otro signo de danos. Un punto brillante indica que el elemento calefactor puede fallar y presentar potencial para heridas, quemaduras, fuego y riesgo de choque eléctrico.

NO cubra las paredes del horno, las rejillas o los quemadores con papel aluminio.

No coloque estantes, sartenes, ollas, bandejas de hornear, bandejas de asar ni ningún otro utensilio de cocina en la parte inferior de la cavidad del horno. Siempre colóquelos en la rejilla instalada adecuadamente.

Nunca limpie el horno con instrumentos de vapor de alta presión.

Nunca coloque nada sobre los orificios de ventilación del horno. Nunca cubra los orificios de ventilación con papel aluminio ni ningún otro material.

GUARDE ESTAS INSTRUCCIONES!



**INFORMACION IMPORTANTE DE SEGURIDAD
LEA Y SIGA TODAS ESTAS INSTRUCCIONES DE SEGURIDAD**

ANTES DE COMENZAR

Desempaque el electrodoméstico con cuidado y asegúrese de que no presenta ningún daño al horno, los elementos de calefacción superiores y la estructura, y de que la puerta del horno abre y cierra adecuadamente. Retire todo el material de empaque como bolsas plásticas, espuma de poliestireno, cintas plásticas, etc. Mantenga el material de empaque fuera del alcance de los niños en todo momento para evitar posibles riesgos. La cocina ha sido probada cuidadosamente para su operación segura y eficiente. Sin embargo, y como con cualquier electrodoméstico, se deben seguir cuidadosamente las instrucciones de instalación y de seguridad para asegurarse de que su operación sea segura.

Guarde estas instrucciones para uso futuro.

La instalación de esta cocina requiere habilidades mecánicas básicas y aproximadamente de 1 a 3 horas de tiempo.

La instalación correcta es responsabilidad del instalador. Las fallas debidas a una mala instalación no están cubiertas por la garantía.

Antes de iniciar la instalación, desconecte la alimentación eléctrica en el panel de servicio y bloquéelo de manera que no pueda conectarse de manera accidental. Si la desconexión del servicio eléctrico no puede ser bloqueada, asegure una etiqueta de advertencia al panel de servicio.

INSTRUCCIONES DE CONEXIÓN A TIERRA

Este electrodoméstico debe conectarse a tierra. La conexión a tierra reduce el riesgo de shocks eléctrico al proveer una vía de escape de la corriente eléctrica.

Este equipo esta provisto de un cable que contiene un hilo de conexión a tierra con un enchufe de 4 puntas. El cable de poder debe conectarse a un enchufe que esta correctamente conectado a tierra. Si el enchufe de la pared es de es de 2 puntas, el mismo debe ser reemplazado por un enchufe de 4 puntas adecuadamente conectado a tierra. La placa de características indica el voltaje y la frecuencia para las cuales el electrodoméstico ha sido diseñado.

ADVERTENCIA-El uso inadecuado del enchufe puede ocasionar el riesgo de un shock eléctrico. Consulte a un electricista calificado si las instrucciones de conexión a tierra no se entienden completamente o si existe alguna duda sobre como conectar el electrodoméstico a tierra.

No conecte el electrodoméstico a un cable de extensión, adaptador o compartiendo un solo enchufe en la pared.

No corte el cable de poder. En ninguna circunstancia corte o remueva la punta de conexión a tierra del enchufe.

Si el cable de poder se daña, este debe ser reemplazado por el fabricante, su agente de servicio o un técnico calificado para evitar peligros.

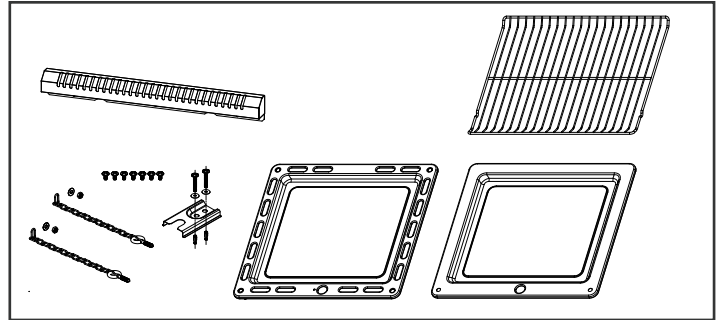
Nota: El apagar el aparato no lo desconecta de la corriente eléctrica. Se recomienda que el cable de poder y enchufe se coloquen paralelos al piso de manera que el cable quede paralelo al piso.

¡GUARDE ESTAS INSTRUCCIONES!

INSTRUCCIONES DE INSTALACION

ACCESORIOS

1. Soporte anti-volcamiento (1)
2. Cadena anti-volcamiento (2)
3. Rejilla del horno (1)
4. Bandeja del horno (1)
5. Bandeja de migas (1)
6. Tornillos (7)



DIMENSIONES

Las dimensiones de este aparato son:

20 pulgadas

24 pulgadas

A: 38.0 pulgadas (965 mm)

A: 38.0 pulgadas (965 mm)

B: 36.1 pulgadas (916 mm)

B: 36.1 pulgadas (916 mm)

C: 25.2 pulgadas (641 mm)

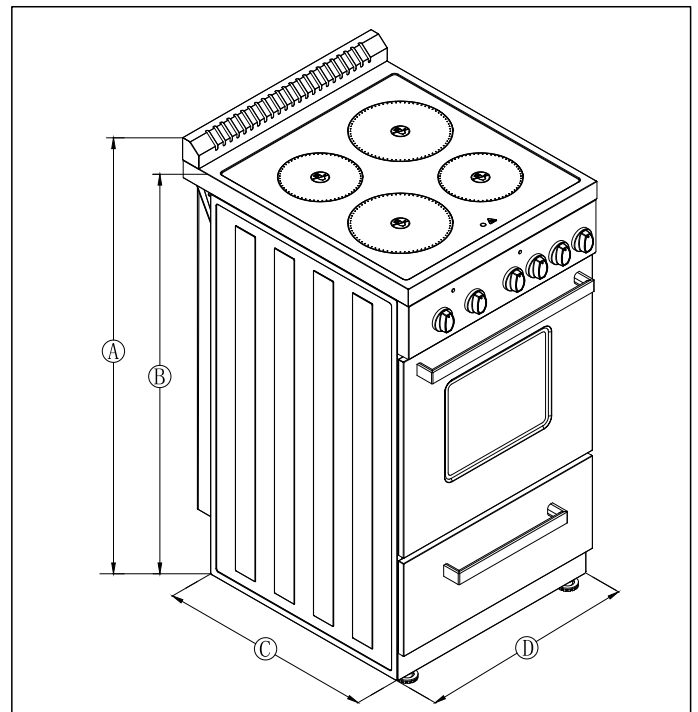
C: 25.2 pulgadas (641 mm)

D: 19.5 pulgadas (495 mm)

D: 23.4 pulgadas (595 mm)

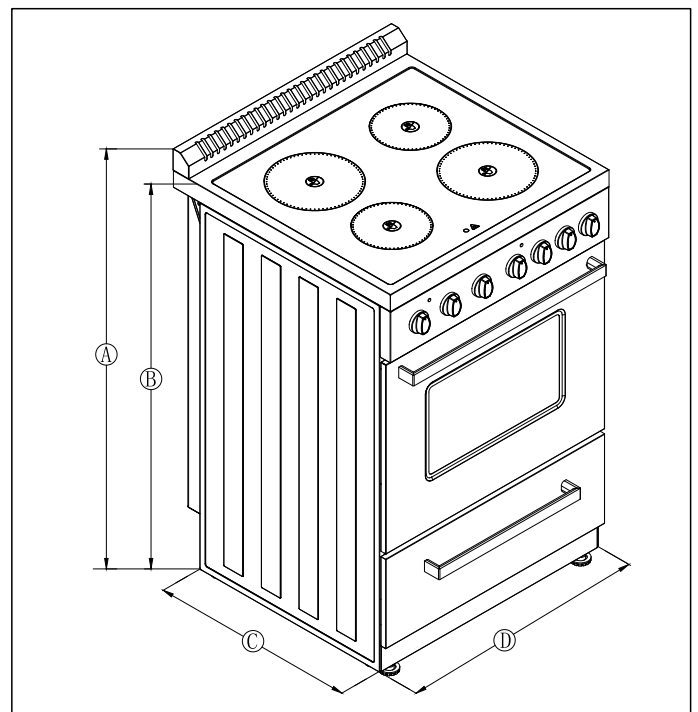
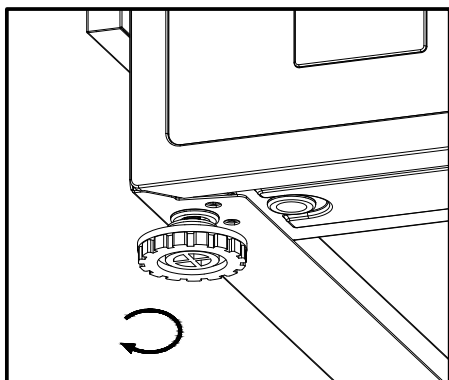
Es responsabilidad del instalador cumplir con las distancias de seguridad especificadas en este manual. Los tamaños de aperturas y distancias mínimas deben ser usados. Es espacio mínimo debe mantenerse entre la superficie de cocción y la superficie horizontal que se encuentre sobre la cocina.

La distancia mínima entre la superficie de la cocina y el borde inferior del gabinete de metal o madera que se encuentre sobre la cocina debe ser de 30 pulgadas (65 centímetros).



INSTRUCCIONES DE NIVELACION

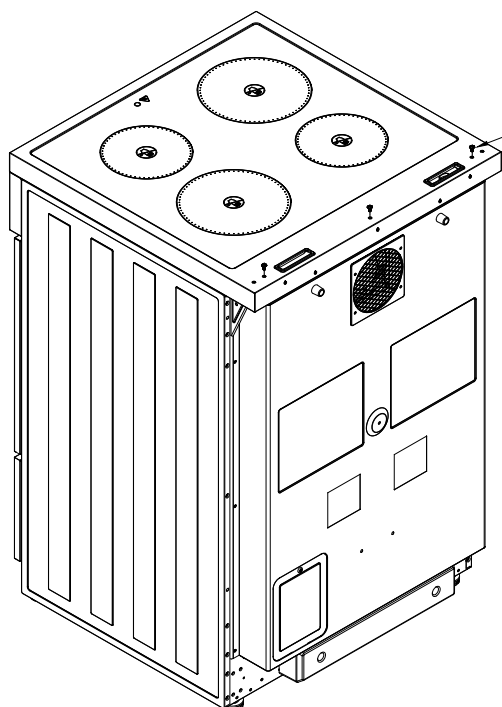
La distancia mínima entre la superficie de la cocina y el borde inferior del gabinete de metal o madera que se encuentre sobre la cocina debe ser de 30 pulgadas (65 centímetros).



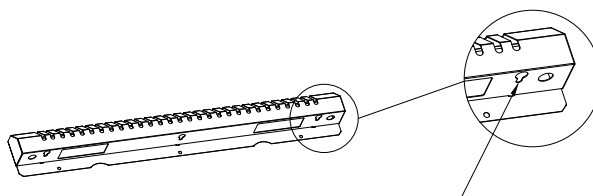
INSTRUCCIONES DE INSTALACION

INSTALACION DEL PROTECTOR TRASERO

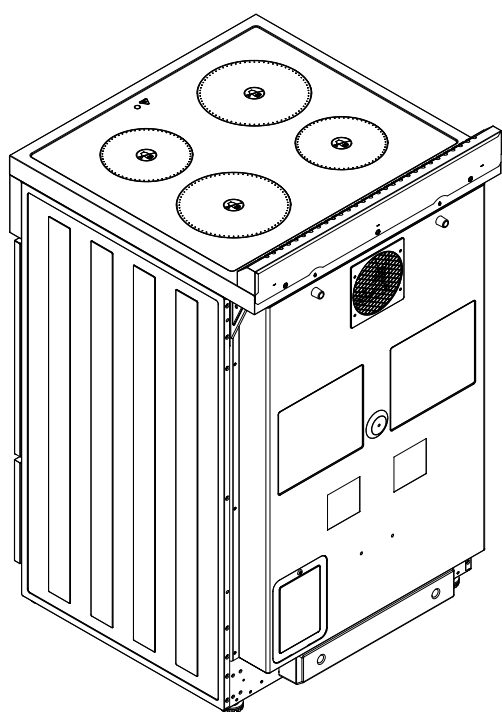
El protector trasero sirve para ventilar el calor del horno y debe ser instalado antes de utilizar el aparato.



1. Diagrama esquemático sin el protector trasero instalado.
2. La fábrica ha colocado tres tornillos ST4*12 en sus agujeros correspondientes. Deje los tornillos sin ajustar hasta el final y déjeles un espacio de 3 a 4 milímetros sin ajustar.



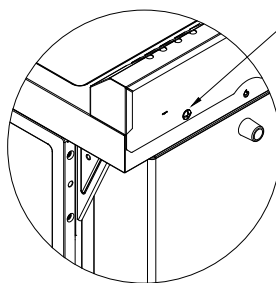
3. La marca es el agujero de elevación del protector trasero.



4. Coloque el protector verticalmente en el área con el agujero más grande coincidiendo con el tornillo no ajustado.

5. Luego de colocar el protector horizontalmente, presiónelo hacia delante de manera que el agujero más pequeño coincida con la posición del tornillo.

6. Instale los 3 tornillos en la parte trasera para fijar el protector trasero.



INSTRUCCIONES DE INSTALACION

CONTROLES DE LA SUPERFICIE

Los elementos de calefacción de este aparato están diseñados para una variedad de condiciones de calor. HI es el ajuste superior. LO indica el ajuste inferior.

Cambiar la configuración de calor a una más alta ocurre más rápido que cambiar a una mas baja debido a tiempo que toma al calor disiparse.

Para utilizar un quemador de superficie, presione la perilla de control y gírela a la posición deseada. La perilla solamente necesita ser girada para moverla de la posición OFF de apagado. Una vez la perilla esta en alguna otra posición, esta puede girarse sin tener que presionarla.

Asegúrese de apagar los elementos de calefacción al terminar de cocinar. Una luz indicadora permanecerá encendida cuando cualquier quemado este encendido.

Utilice ollas y sartenes pesados. Las olas de aluminio conducen el calor mejor que las de otros metales. Las ollas de hierro fundido absorben el calor muy lentamente, pero por lo general cocina de manera mas pareja a temperaturas medias y bajas. Sartenes de acero pueden cocinar de manera desigual si no se combinan con otros metales.

No llene demasiado las ollas o sartenes con alimentos con grasas que puedan derramarse al agregar más ingredientes. Los alimentos congelados producen burbujas.

Observe cuidadosamente los alimentos que se fríen a altas temperaturas. Mantenga la cocina y el horno limpios de acumulaciones de grasas.

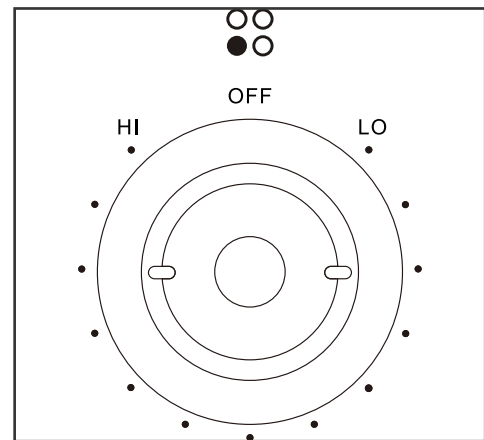
Para conservar energía, las ollas y sartenes deben ser de fondo plano, tener lados lisos y tapas que ajusten adecuadamente. Utilice ollas adecuadas al tamaño del quemador que vaya a usar. Un sartén que se extiende más allá del borde del quemador atrapa el calor y puede causar pequeñas grietas en la porcelana y decoloración que puede ir del azul al gris en las bandejas de goteo de cromo.

Limpie los derrames de los quemadores con un paño húmedo tan pronto como se hayan enfriado. Asegúrese de colocar la perilla del quemador en posición OFF (apagado).

Nunca deje una olla o sartén vacío o que ha hervido hasta quedar seco en un quemador caliente. La olla podría sobrecalentarse, dañarse y dañar la superficie de la cocina. Asegúrese siempre de que todas las perillas de control están en posición OFF de apagado y que las luces indicadoras de encendido están apagadas cuando la cocina no está en uso.

PERILLA DE LA SUPERFICIE

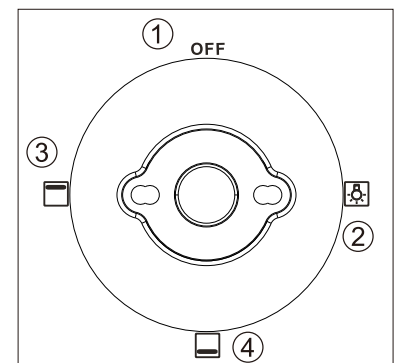
Nunca deje alimentos desatendidos mientras cocina. Hervores pueden causar humos y derrames de grasa pueden causar incendios. Note que el icono sobre la perilla indica cual quemador es controlado por la perilla,



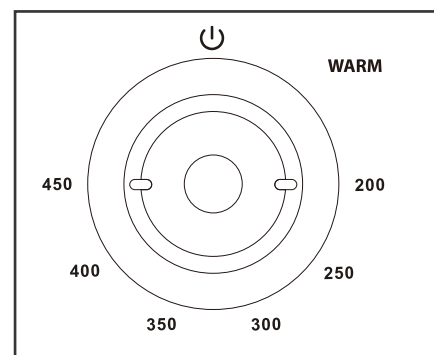
CONTROLES DEL HORNO

El horno tiene cuatro funciones que se pueden programar usando la perilla de selección de función

- 1.OFF (apagado)
- 2.Luz
- 3.Broil (asar)
- 4.Bake (hornear)



La perilla de temperatura del horno se utiliza para seleccionar la temperatura del horno y esta marcada en incrementos de 50 grados entre 200 grados Fahrenheit hasta 450 grados Fahrenheit.



Para usar el horno, gire la perilla de selección de función a hornear y seleccione la temperatura usando la perilla de temperatura.

INSTRUCCIONES DE INSTALACION

HORNEAR Y ROSTIZAR

1. Coloque las rejillas en el horno. Si va a cocinar en dos rejillas al mismo tiempo, coloque las bandejas de hornear en lados alternos para facilitar la circulación del aire.
2. Cierre la puerta del horno. Gire el selector de función a Bake (hornear). Coloque el selector de temperatura en la temperatura deseada.
3. Permita que el horno se precaliente si es necesario.
4. Coloque el recipiente o bandeja con los alimentos en el centro de la rejilla del horno. Deje por lo menos 2 pulgadas entre el final de la bandeja y la pared del horno o cualquier bandeja adyacente.
5. Verifique los alimentos con frecuencia. Retírelos apenas estén cocinados y asegúrese de que el horno quede apagado.

CONSEJOS PARA HORNEAR Y ROSTIZAR

- Siga una receta conocida y mida los ingredientes cuidadosamente. Si está utilizando una mezcla preempacada, siga las instrucciones cuidadosamente.
- No abra la puerta del horno mientras hornea o asa. La pérdida de calor ocasionada por la apertura de la puerta puede ocasionar que se necesite más tiempo para terminar la cocción. Si se debe abrir la puerta del horno, ábrala parcialmente y ciérrala tan pronto como sea posible.
- Rostizar es cocinar con calor seco. Las carnes blandas o aves pueden ser rostizadas sin necesidad de cubrirlas. Las temperaturas de rostizado, que deben ser bajas y constantes, mantienen las salpicaduras al mínimo. Al rostizar no es necesario sellar, rociar, cubrir ni agregar agua a las carnes.
- Las piezas de carnes congeladas pueden ser cocinadas sin descongelar. Sin embargo, se deben agregar de 10 a 25 minutos adicionales de tiempo de cocción por cada libra de carne adicional (10 minutos por libra para piezas de menos de 5 libras, más tiempo para piezas más grandes)
- Descongele las aves antes de rostizarlas para asegurar una cocción pareja. Algunas aves congeladas comerciales pueden cocinarse bien sin necesidad de descongelarlas. Siga siempre las instrucciones del empaque.

ASAR EN EL HORNO

Asar en el horno requiere cocinar alimentos con calor radiante intenso usando el elemento calefactor superior del horno. La mayoría de los pescados y cortes suaves de carne se pueden asar en el horno. Siga estos pasos para mantener las salpicaduras al mínimo.

1. Si las carnes tienen grasa en los bordes, haga cortes verticales a unas 2 pulgadas de distancia. Si lo desea, recorte la grasa dejando una capa delgada.
2. Coloque la carne en una rejilla de asar dentro de una bandeja de horno diseñada para asar. Siempre utilice la rejilla y la bandeja de forma que la grasa gotee sobre la bandeja y no sobre el fondo del horno donde pueden causar un incendio.
3. Coloque la rejilla del horno en una de las dos posiciones superiores para asar.
4. Coloque los alimentos en el horno y cierre la puerta. Siempre ase con la puerta del horno cerrada.
5. Encienda el horno poniendo el selector de función en Broil (asar)
6. Gire el selector de temperatura a la temperatura deseada.
7. Los alimentos pueden ser volteados mientras se asan si es necesario. Tenga mucho cuidado con el aire o vapor calientes cuando abra la puerta del horno.
8. Asegúrese de apagar el horno llevando la perilla de temperatura a la posición OFF de apagado al terminar de cocinar.

CONSEJOS PARA ASAR

Si lo desea, marine las carnes o aves antes de asarlas, o frótelas con salsa barbeque en los últimos 5-10 minutos de cocción.

Cuando organice los alimentos en la bandeja no deje que los bordes grasos cuelguen sobre el borde de la bandeja para evitar que gotee grasa durante el cocinado.

INSTRUCCIONES DE OPERACIÓN

REJILLAS DEL HORNO

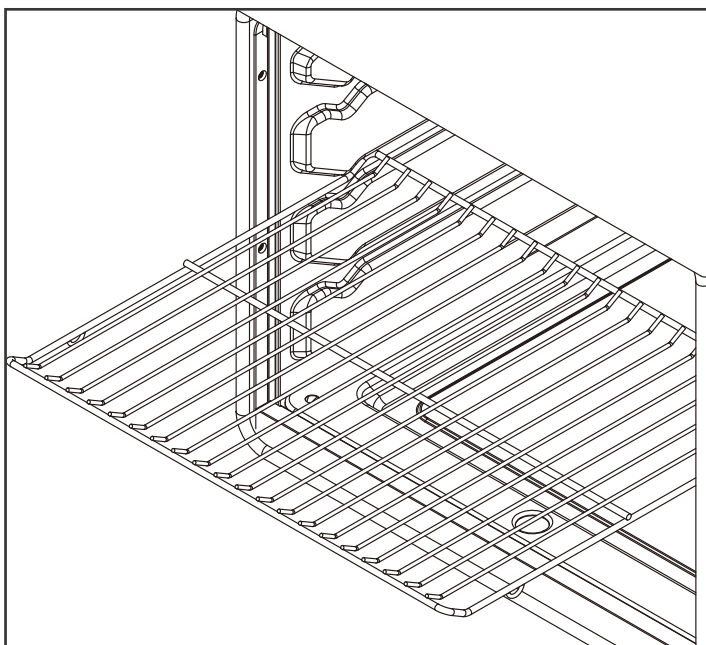
Para remover las rejillas del horno, hale la rejilla hacia afuera, levante la parte frontal hacia arriba y sáquela hacia afuera.

Para colocar las rejillas del horno nuevamente, coloque la rejilla con los soportes antideslizamiento hacia arriba y hacia el fondo del horno. Levante el frente y empuje la rejilla hacia atrás hasta que pase el bache en el soporte de la rejilla, luego baje el frente de la rejilla y deslícelo hasta el fondo del horno.

El horno tiene tres posiciones diferentes para colocar las rejillas para ajustarse a los diferentes requerimientos de cocción.

POSICION DE LAS REJILLAS

- La mayoría de los horneados se hacen en la segunda o tercera posición de la rejilla, contando desde el fondo del horno.
- Al hornear múltiples alimentos, utilice dos rejillas posicionadas en la segunda y tercera posición desde el fondo del horno.
- Hornee pasteles Angel Food en la primera posición de la rejilla contando desde el fondo del horno.
- Los asados se hacen generalmente en la posición mas baja de las rejillas.



Conversiones de temperaturas

Fahrenheit	140	150	170	200	250	275	300	325	350	375	400	425	450	475	500	525	550
Celsius	60	65	75	95	120	135	150	160	175	190	205	220	230	245	260	275	290

INSTRUCCIONES DE OPERACIÓN

Consejos de cocina

Las características físicas de las ollas o sartenes influyen en el rendimiento de cualquier sistema de cocina. Por lo tanto, debe enfatizarse la selección de ollas y sartenes adecuados.

- Utilice recipientes para cocinar con fondos planos y tapas que ajusten adecuadamente para conservar energía y acortar el tiempo de cocción.
- Solo algunos tipos de cerámica, vidrio, vitrocerámica, loza de barro y otros utensilios vidriados son adecuados para cocinar en la superficie de la cocina. Los fabricantes sugieren utilizar temperaturas medias o bajas cuando vaya a cocinar en este tipo de recipientes.
- El tamaño de la olla debe ajustarse al tamaño del elemento calefactor. Una olla ligeramente más grande cubre el elemento calefactor en su totalidad y previene que los derrames entren en contacto con la superficie del elemento y se quemen. Usar una olla más pequeña que el elemento calefactor desperdicia energía.
- Para evitar salpicaduras y maximizar la eficiencia, los fondos de las ollas debe estar limpios y secos antes de entrar en contacto con los elementos calefactores.
- Limpie bien los derrames con un paño húmedo tan pronto como el elemento calefactor se haya enfriado. Esto ahorrara tiempo de limpieza después. Asegúrese de que el elemento esta en OFF (apagado).

Si un elemento calefactor de la superficie se mantiene encendido y rojo por un largo tiempo, el fondo de la olla no es lo suficientemente plano o es muy pequeño. El uso prolongado de ollas no adecuadas puede dañar la unidad superficial, la cocina, el cableado y las áreas adyacentes. Para prevenir danos, utilice siempre los utensilios correctos, comience a cocinar colocando el elemento en posición HI (alta) y luego girando la perilla a temperaturas mas bajas para continuar la cocción.

Nunca deje utensilios vacíos, ni que hayan hervido hasta secarse en una unidad caliente. El utensilio puede sobrecalentarse y dañarse, o dañar la superficie de la cocina o provocar un incendio.

Asegúrese siempre de que todos los controles de la cocina están en posición OFF (apagado) y que las luces indicadoras de encendido están apagadas cuando no esté utilizando la cocina.

ADVERTENCIA

Asegúrese de que las asas de las ollas o sartenes no sobresalen del borde de la cocina para evitar tropezarlos y derramarlos accidentalmente. Esto también dificulta el que los niños puedan alcanzarlos y sufrir quemaduras graves.

INSTRUCCIONES

Conexión Eléctrica

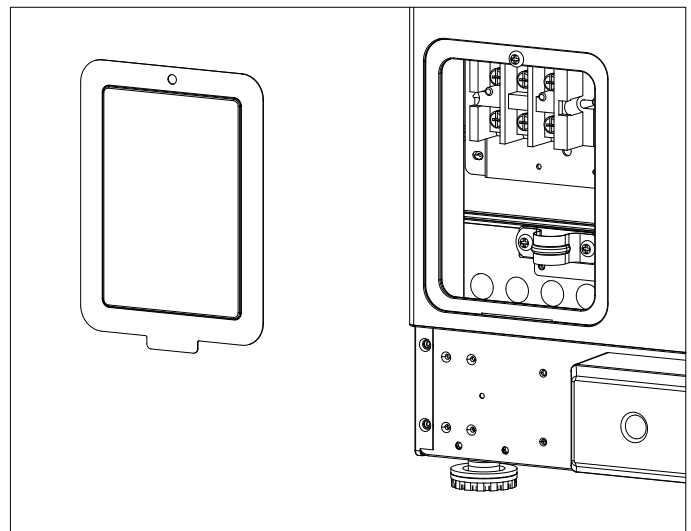
! ADVERTENCIA

La conexión inadecuada a tierra puede ocasionar riesgo de shock eléctrico. Si el cable de poder sufre algún daño, este debe ser reemplazado por personal técnico calificado.

- Este electrodoméstico debe ser instalado y conectado a tierra adecuadamente por personal técnico calificado de acuerdo con las normativas vigentes en el país y las normativas locales. La instalación debe ser hecha por un electricista licenciado.
- La cocina puede conectarse mediante un cableado duro o un kit de cable de poder. El cable de poder no se suministra para el mercado de USA, pero puede ser adquirido en su tienda local de productos eléctricos.
- Use solo un cable para cocinas de 3 o 4 conductores con clasificación UL de 40 amperios, 8 AWG con un rango de voltaje mínimo de 125 a 250 V. Estos cables pueden estar provistos de un alivio de tensión o conector de conducto.
- La cocina debe ser conectada al voltaje y frecuencia adecuados, tal y como se especifica en la placa de características.
- La cocina puede ser instalada y conectada directamente a la caja de circuitos (breakers) a través de un cable de cobre cubierto con conexión a tierra. Deje de dos a tres pies de margen en la línea por si es necesario mover la cocina para hacerle servicio.
- **Por su seguridad, esta cocina debe estar conectada a tierra de manera adecuada.**
- Remueva el fusible o abra el circuito antes de comenzar la instalación.

- No repare o reemplace ninguna parte de la cocina a menos que sean recomendado por el fabricante. Todo mantenimiento debe ser realizado por personal calificado.
- Para minimizar la posibilidad de choque eléctrico, desconecte el aparato de la toma eléctrica antes de intentar hacer cualquier mantenimiento.

NOTA: Apagar el aparato no lo desconecta de la corriente eléctrica. Todo servicio o mantenimiento debe ser hecho por un técnico calificado.

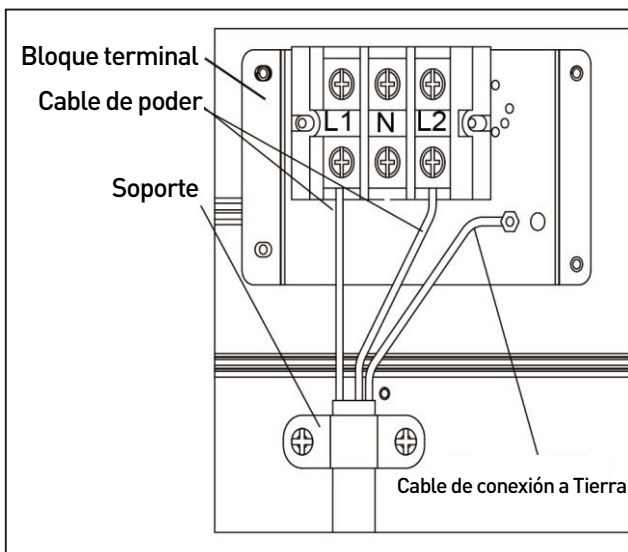


INSTRUCCIONES

Instalación con un cable de 3 hilos

- Retire la placa de acceso al bloque terminal en la parte posterior de la cocina retirando el tornillo de fijación.
- Afloje los tornillos que aseguran el soporte de alivio de tensión.
- Inserte los 3 cables de poder (L1, L2, de tierra) pasando a través del soporte.
- Afloje las tuercas de los 2 terminales de poder (L1, L2) en el bloque terminal.
- Conecte los 2 cables terminales al bloque como se muestra en la figura y luego apriete las tuercas.
- Afloje la tuerca de conexión a tierra y conecte el cable de conexión a tierra como muestra la figura. Luego ajuste la tuerca.
- Apriete los tornillos del soporte cuando todos los cables hayan sido conectados y apretados.
- Instale de nuevo la placa de acceso al bloque terminal.

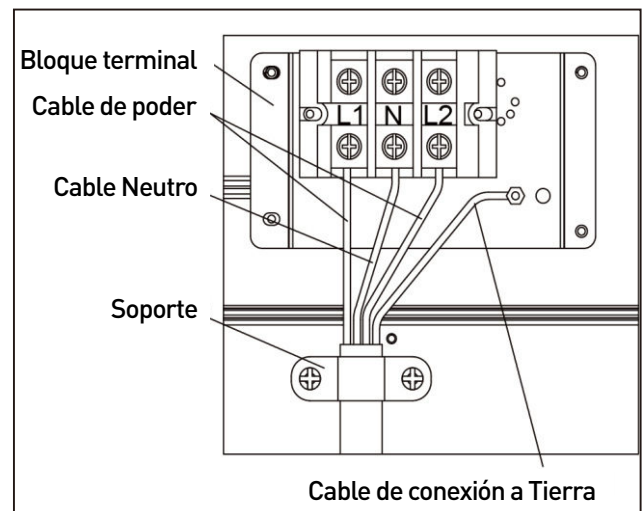
NOTA: El cable de conexión a tierra del cable de poder debe ser conectado a la tuerca de conexión a tierra. Los cables de corriente deben ser conectados a las líneas de poder L1 y L2.



Instalación con un cable de 4 hilos

- Retire la placa de acceso al bloque terminal en la parte posterior de la cocina retirando el tornillo de fijación.
- Afloje los tornillos que aseguran el soporte de alivio de tensión.
- Inserte los 4 cables de poder (L1, L2, N, de tierra) pasando a través del soporte.
- Afloje las tuercas de los 3 terminales de poder (L1, L2, N) en el bloque terminal.
- Conecte los 3 cables terminales al bloque como se muestra en la figura y luego apriete las tuercas.
- Afloje la tuerca de conexión a tierra y conecte el cable de conexión a tierra como muestra la figura. Luego ajuste la tuerca.
- Apriete los tornillos del soporte cuando todos los cables hayan sido conectados y apretados.
- Instale de nuevo la placa de acceso al bloque terminal.

NOTA: El cable N neutro debe ser conectado al terminal neutro N localizado en el centro del bloque terminal. El cable de conexión a tierra debe ser conectado al marco de la cocina utilizando el tornillo de conexión a tierra de color verde. Los cables de corriente deben ser conectados a las líneas de poder L1 y L2.



CUIDADO Y MANTENIMIENTO

Interior del horno de porcelana

Con cuidado adecuado, el esmaltado de porcelana del interior de su horno puede mantener su acabado por años.

Usted puede usar agua y jabón para limpiar el interior del horno. Salpicados fuertes o derrames pueden requerir una limpieza utilizando un limpiador abrasivo suave.

No permita que los derrames que contienen ácidos como tomates, leche, jugos de frutas o rellenos de pies permanezcan en la superficie. Esto puede ocasionar manchas que van a permanecer aun después de ser limpiadas.

Una solución de amoníaco casero puede facilitar la limpieza. Coloque ½ taza de amoníaco en una bandeja no muy profunda y déjela en el horno frío por una noche. Los vapores del amoníaco ayudarán a aflojar los alimentos y la grasa quemados y facilitarán la limpieza.

Cuidados al usar limpiadores de horno en aerosol

No utilice el limpiador de hornos en aerosol en los controles ni perillas, ya que esto podría causar daños, un corto circuito y chispas que podrían ocasionar un incendio.

No rocíe el limpiador de hornos directamente sobre los elementos calefactores.

No permita que permanezca una película de limpiador en el sensor de temperatura ya que esto causará que el horno no caliente correctamente. El sensor está ubicado en la parte trasera del horno. Limpie cuidadosamente la lámpara después de cada limpieza del horno, teniendo cuidado de no mover el sensor, ya que un cambio de posición puede afectar la forma en que el horno hornea.

No rocíe el limpiador de horno en la parte externa de la puerta del horno, ni en las lasas ni en ninguna superficie exterior de la cocina, el gabinete o las partes pintadas. El limpiador puede dañar esas superficies.

Rejillas del horno

Limpie las rejillas del horno con un limpiador abrasivo y una esponja metálica. Luego de limpiarlas, enjuáguelas con agua limpia y séquelas con un paño limpio y seco.

Elementos calefactores del horno

No limpie los elementos calefactores del horno inferiores o superiores. Cualquier residuo de alimentos que caiga sobre ellos será quemado cuando los elementos se enciendan.

Perillas de control

Las perillas de control pueden removerse para facilitar la limpieza. Asegúrese de que las perillas

están en posición OFF (apagado) antes de removerlas y hálelas para sacarlas y limpiarlas. Las perillas pueden limpiarse a mano. Asegúrese de que están secas antes de instalarlas nuevamente.

Superficies pintadas

Las superficies pintadas incluyen los lados, el panel de control y la puerta de la cocina. Límpielas con una solución de agua y jabón o de agua y vinagre.

No utilice limpiadores comerciales de limpiar hornos, polvos limpiadores ni abrasivos fuertes en las superficies pintadas.

CUIDADO Y MANTENIMIENTO

PUERTA DEL HORNO REMOVIBLE

La puerta del horno puede ser removida, pero es pesada. Se recomienda que si se va a remover lo hagan dos personas trabajando juntas.

Para remover la puerta:

1. Abra la puerta completamente.
2. Hale los bloqueos de las bisagras sobre los ganchos de ambos lados.
3. Agarre la puerta con fuerza de ambos lados, levántela ligeramente y hálala hacia afuera y lejos del horno.

Para volver a colocar la puerta:

1. Agarre firmemente ambos lados de la puerta en la parte superior.
2. Inserte y asiente los brazos superiores e inferiores de las bisagras en las ranuras del horno.
3. Presione los bloqueos de las bisagras hacia debajo de los ganchos de ambos lados.
4. Cierre la puerta del horno y asegúrese de que esta funcionando correctamente. Si parece estar desnivelada o no cierra bien, retírela de nuevo y vuelva a instalarla,

NOTA: No trate de cerrar la puerta hasta que este correctamente instalada. Las bisagras pueden dañarse.

REEMPLAZO DE LA LAMPARA DEL HORNO

Importante: Antes de cambiar la lampara del horno, asegúrese de que la corriente eléctrica esta desconectada del aparato. El no hacerlo puede causar quemaduras o shock eléctrico.

Asegúrese de dejar que la cubierta de la lampara y el bombillo se enfrien completamente antes de reemplazarlo.

El remover la puerta del horno facilita el proceso del camio de la lampara.

Para reemplazar la lampara del horno:

1. Retire la cubierta protectora de la lampara. No retire ningún tornillo para remover la cubierta de la lampara.
2. No toque el bombillo con un trapo húmedo. Reemplace el bombillo con un bombillo para hornos que soporte altas temperaturas de las mismas especificaciones: 230V, 60Hz, 25W, G9.
3. Coloque de nuevo la cubierta protectora.

VENTANA DE LA PUERTA DE VIDRIO

Para limpiar el borde exterior de la ventana de la puerta de vidrio, utilice un limpiador de vidrios.

Enjuague y pula con un paño limpio y seco.

Evite rayar o impactar la ventana de vidrio. Hacerlo podría causar que el vidrio se rompa.

